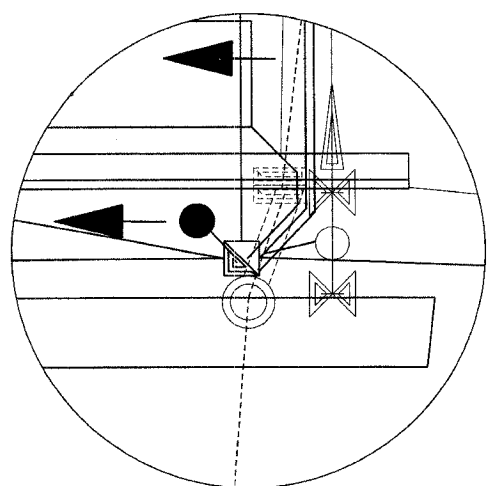
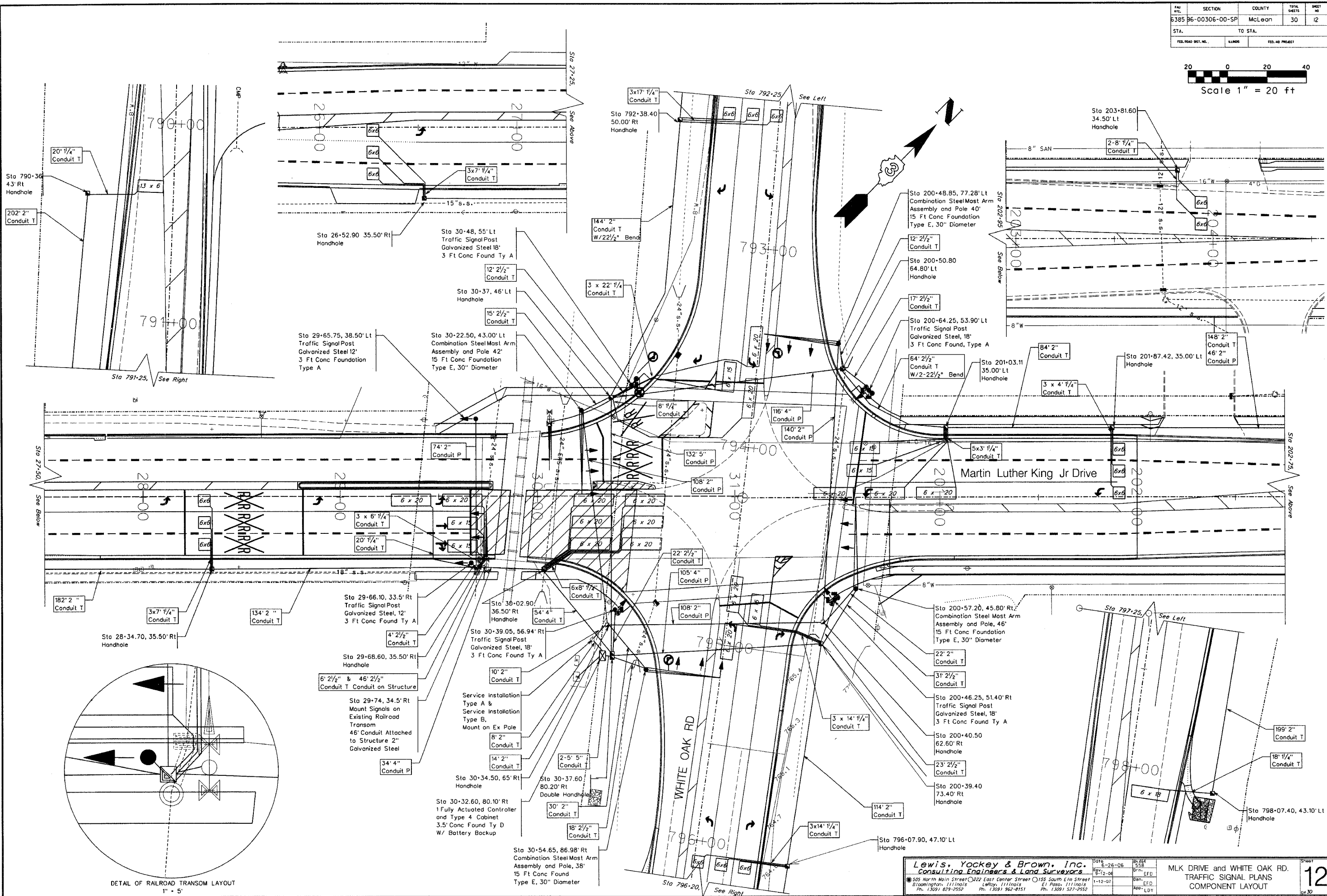
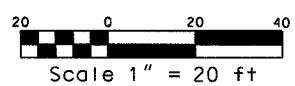


SECTION	COUNTY	TOTAL SHEETS	SHEET NO
6385 96-00306-00-SP	McLean	30	12
STA.	TO STA.		
FED. ROAD DIST. NO.	KLMS	FED. AID PROJECT	



Lewis, Yockey & Brown, Inc.
 Consulting Engineers & Land Surveyors
 2100 Washington Blvd., Suite 1110
 Alexandria, VA 22304
 Phone: (703) 829-2552

Date: 6-26-06
 Drawn: EFD
 Checked: EFD
 Appr: LDY

MLK DRIVE and WHITE OAK RD.
 TRAFFIC SIGNAL PLANS
 COMPONENT LAYOUT

Sheet 12 of 30