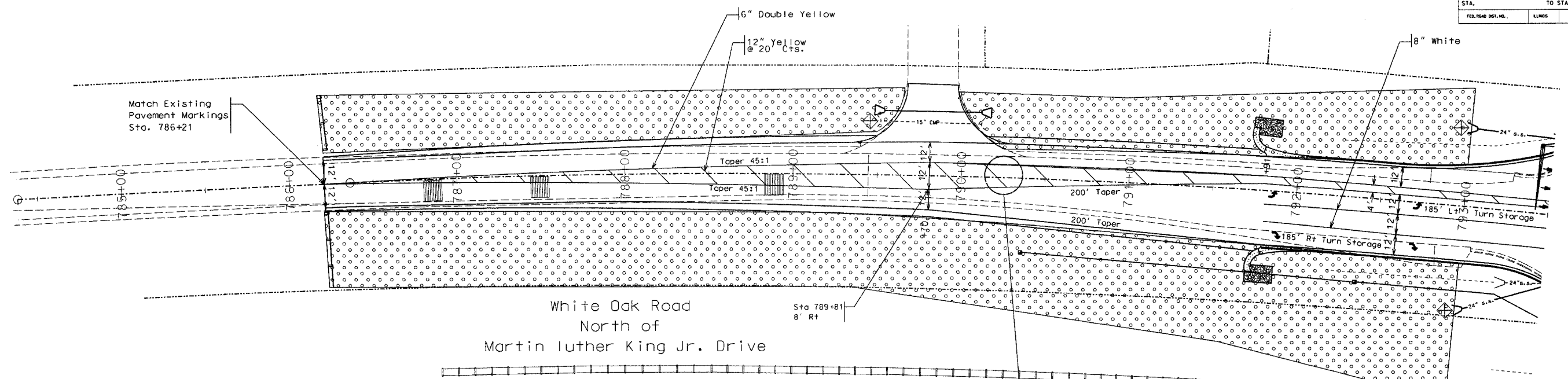
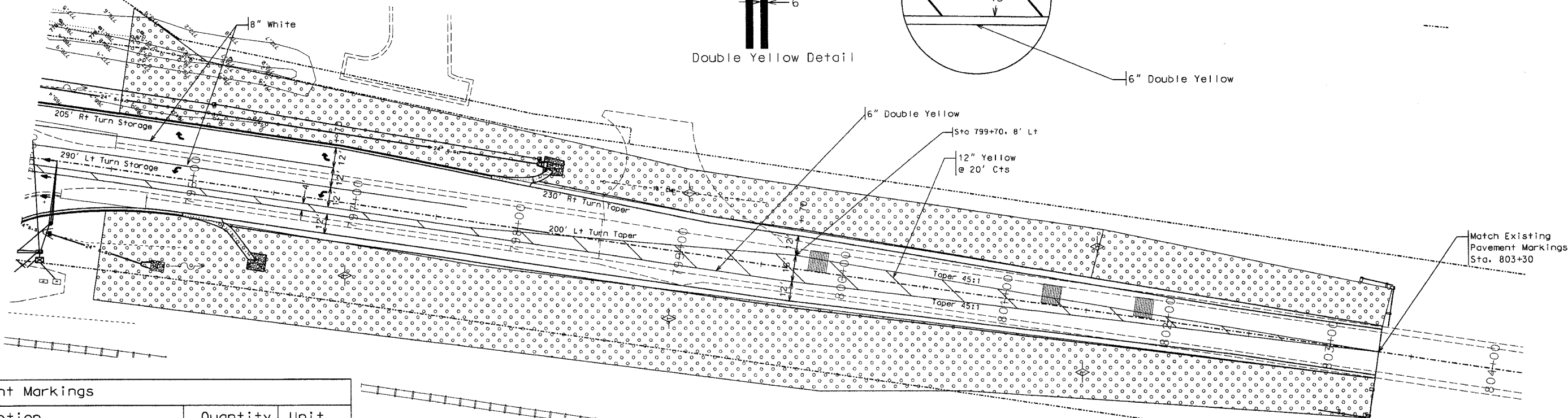
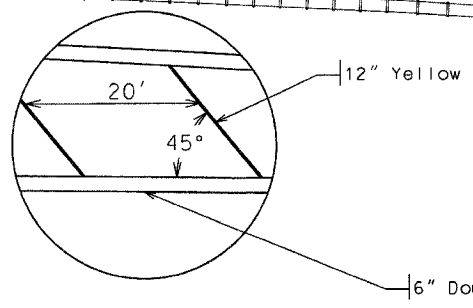
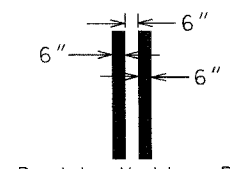


| FBI DIST. | SECTION | COUNTY | TOTAL SHEETS | SHEET NO. |
|---------------------|----------------|---------|------------------|-----------|
| 6385 | 96-00306-00-SP | McLean | 30 | 30 |
| STA. | | TO STA. | | |
| FED. ROAD DIST. NO. | | CLASS. | FED. RD. PROJECT | |



Typical All Approaches



| Pavement Markings | | |
|-------------------|----------|-------|
| Description | Quantity | Unit |
| 4" White | 275 | Foot |
| 6" Yellow | 8154 | Foot |
| 6" White | 1781 | Foot |
| 8" White | 1682 | Foot |
| 12" White | 26 | Foot |
| 12" Yellow | 1263 | Foot |
| 24" White | 169 | Foot |
| Letters & Symbols | 490 | Sq Ft |

See Page 25 for Erosion Control Legend

Lewis, Yockey & Brown, Inc. Consulting Engineers & Land Surveyors

305 Martin Luther King Street, East, Chicago, Illinois 60611
 155 South Elm Street, El Paso, Illinois 61734
 Ph. (309) 429-2552 Ph. (309) 962-8151 Ph. (309) 527-2552

MLK and White Oak Road Intersection Improvements Pavement Marking & Erosion Control Details

30