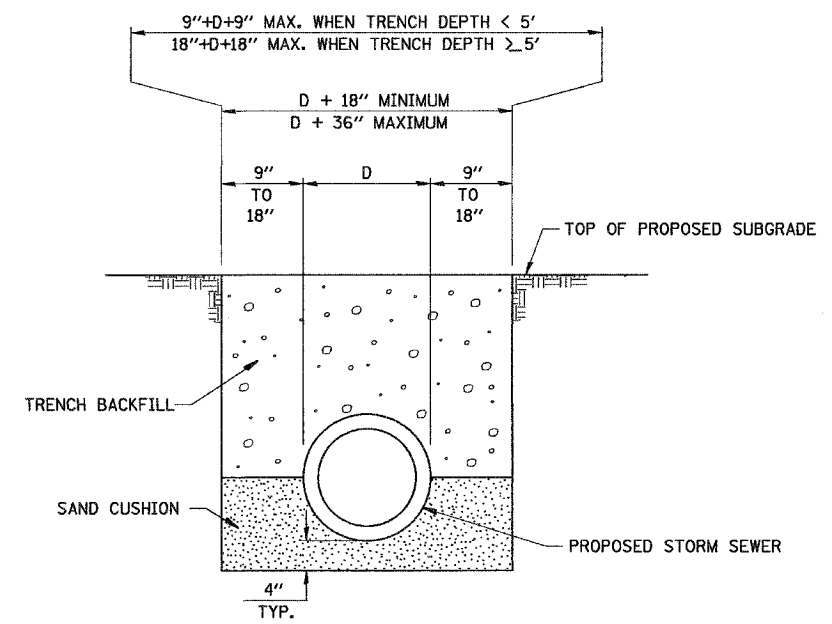
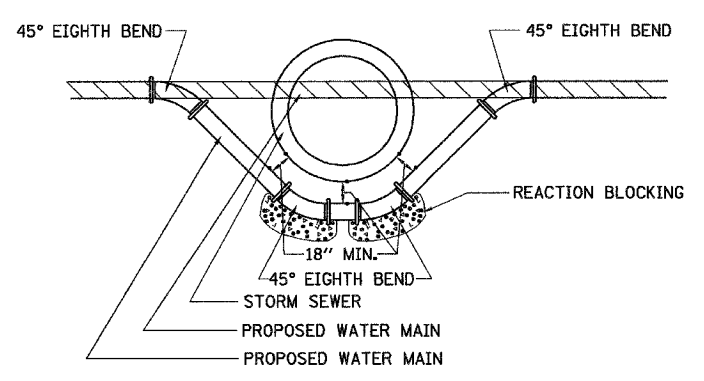


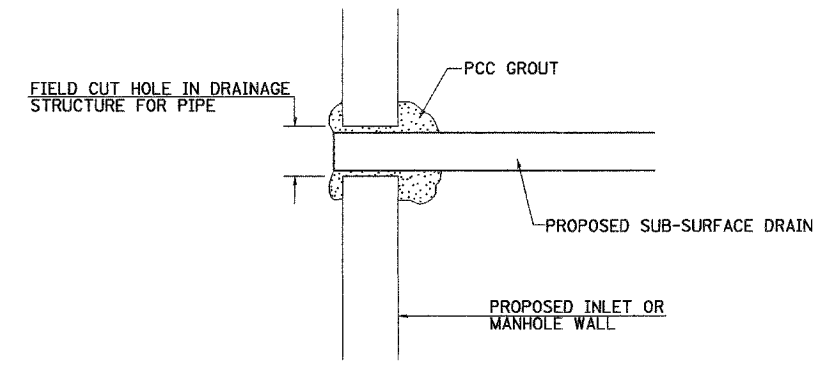
DETAIL OF TRENCH EXCAVATION AND BACKFILL UNDER TURF



DETAIL OF TRENCH EXCAVATION AND BACKFILL UNDER PROPOSED ROADWAY PAVEMENT AND ENTRANCES

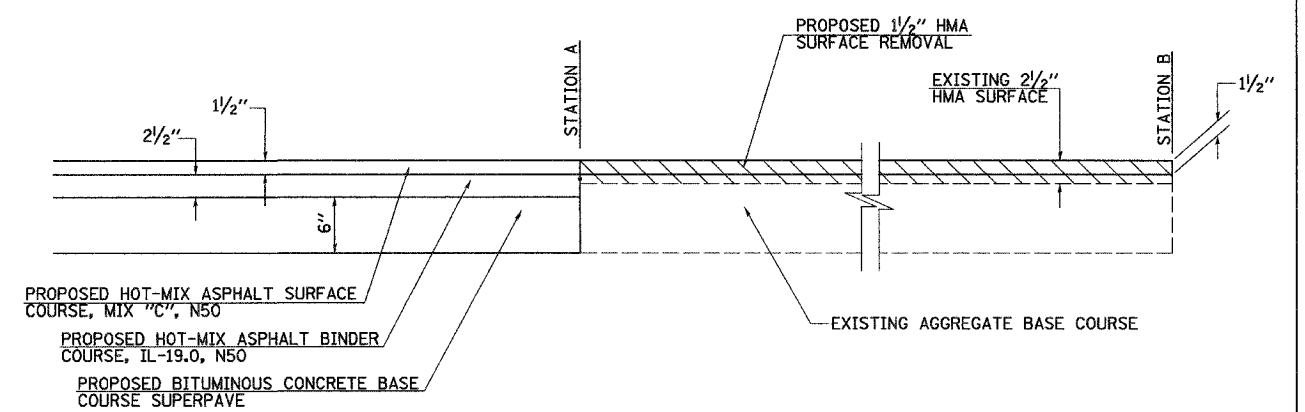


DETAIL OF LOWERING WATERMAIN



NOTE: ALL ITEMS REQUIRED FOR CONNECTING SUB-SURFACE DRAINS TO PROPOSED DRAINAGE STRUCTURES SHALL BE CONSIDERED INCLUDED IN THE COST OF CONSTRUCTION THE SUB-SURFACE DRAINS.

DETAIL OF CONNECTING SUB-SURFACE DRAINS TO PROPOSED DRAINAGE STRUCTURES



PROPOSED BITUMINOUS SURFACE REMOVAL DETAIL

STATION A	STATION B
134+83.80	135+44.70

REVISIONS	
NAME	DATE

ILLINOIS DEPARTMENT OF TRANSPORTATION

SPECIAL DETAILS

SCALE: N/A

DATE: DECEMBER 2006

DRAWN BY JCW

CHECKED BY JRB

PLOT DATE = 01/25/2007
 FILE NAME = W:\214683\448002.dgn
 PLOT SCALE = 9.3819 / IN.
 USER NAME = jrb156