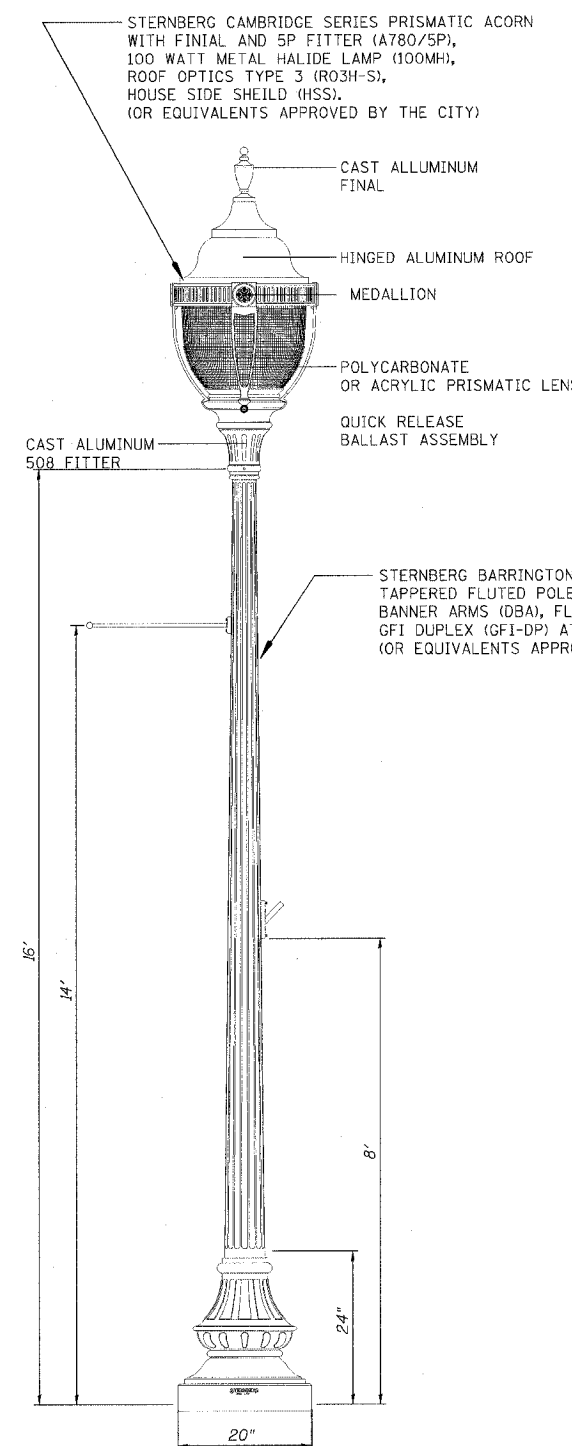
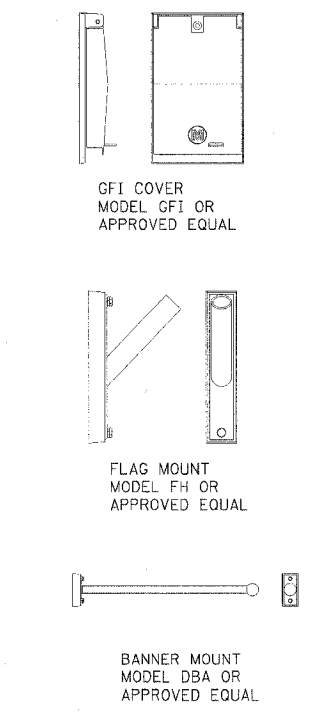
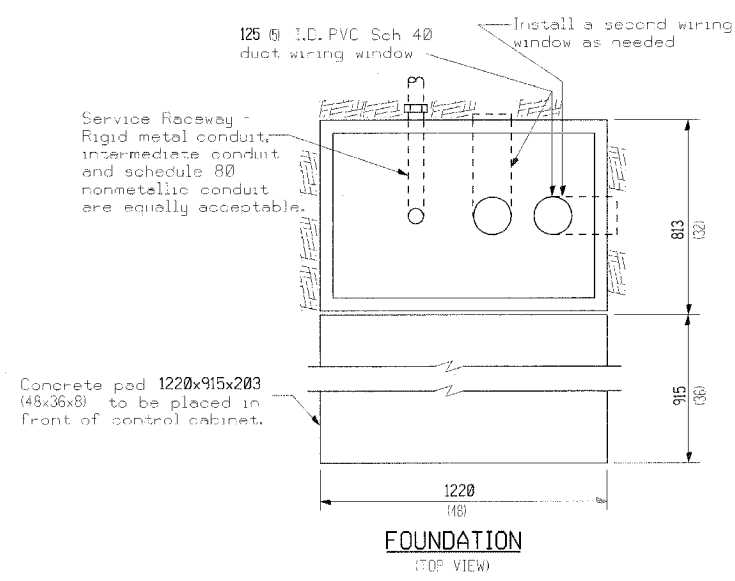


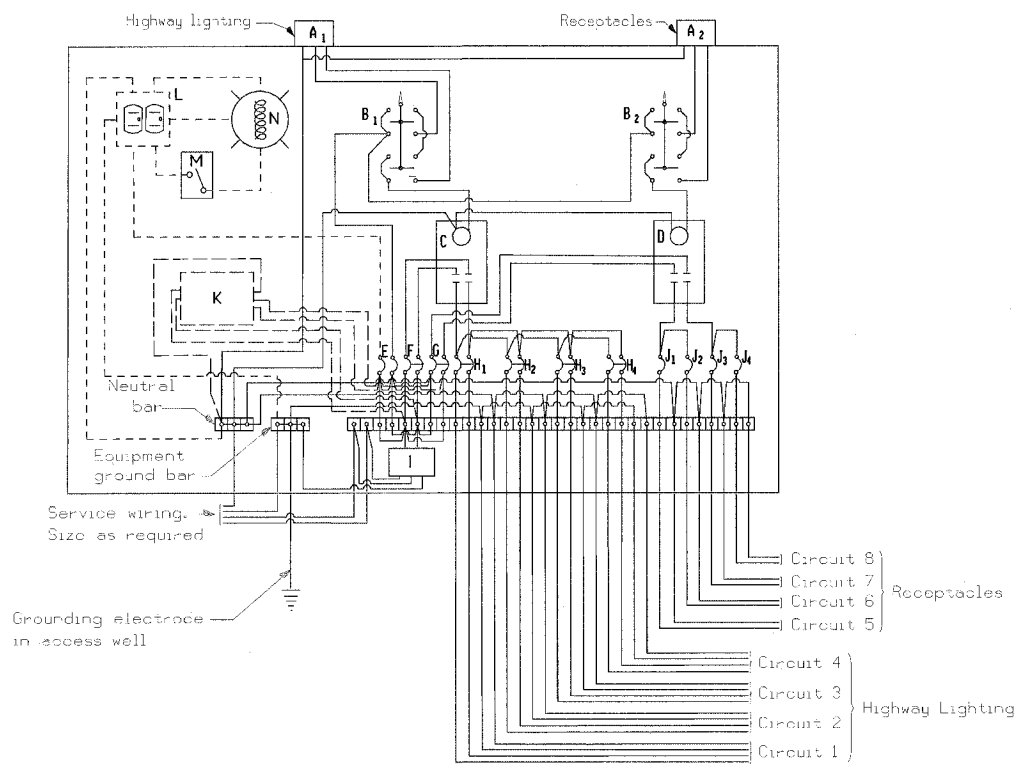
F.A.U. RTE.	SECTION	COUNTY	TOTAL SHEETS	SHEET NO.
8419	99-00048-01-PV	FAYETTE	142	98
STA. TO STA.		ILLINOIS FED. AID PROJECT		
FED. ROAD DIST. NO.		CONTRACT NO. 95500		



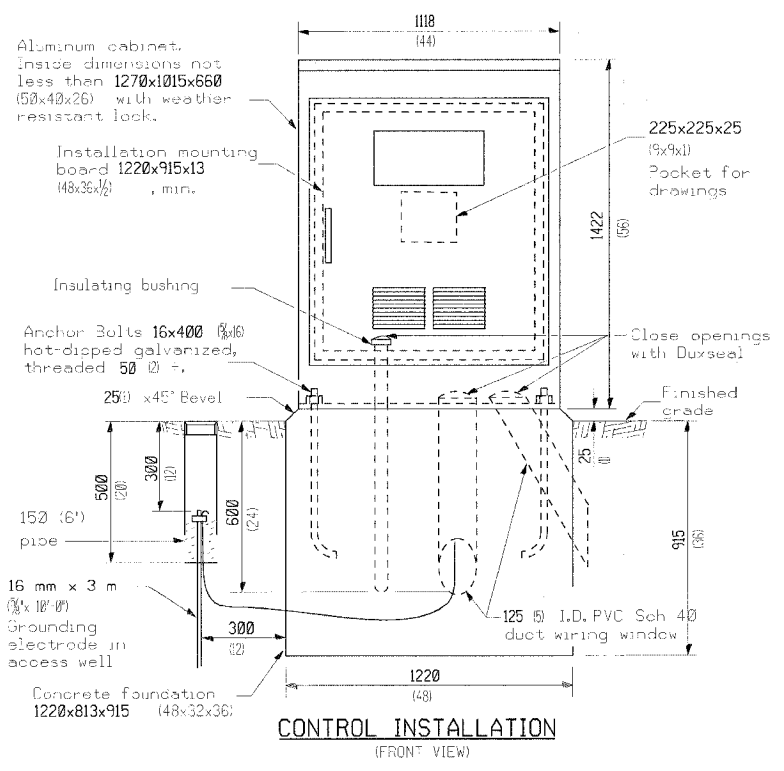
VINTAGE STYLE STREET LIGHT ON BLACK ORNAMENTAL POLE
 POLE MUST BE IN ACCORDANCE WITH ASHTO LOADING REQUIREMENTS AS REFERENCED IN SEL 830 OF THE STANDARD SPECIFICATIONS



LIGHT POLE ACCESSORIES



- A1 Photocell (remote mount in urban areas)
- A2
- B1 3 position selector switch
- B2
- C,D 60 amp* & 40 amp* electrically held contactors
- F 15 amp, 1 pole, circuit breaker
- F 60 amp*, 2 pole, main circuit breaker
- G 40 amp*, 2 pole, main circuit breaker
- H 15 amp*, 2 pole, branch circuit breaker
- I Surge arrestor
- J 15 amp*, single pole circuit breaker
- K Transformer (see notes), 1 KVA*, 240/480V primary, 120/240V sec, single phase
- L GFCI duplex receptacle
- M Single pole, single throw switch
- N Shielded security fixture with 100W lamp
- (* = Size larger as needed)



CONTROL INSTALLATION (FRONT VIEW)

GENERAL NOTES

Wiring shall be panel board fashion. All bends shall be right angles. All runs shall be vertical or parallel to panel board. Wires shall be grouped or laced.

All control installation components shall be U.L. listed.

Label equipment ground and neutral.

The underground service entrance wiring shall not exceed 46 m (150'). Total aerial and underground service between the control installation and primary transformer shall not exceed 76 m (250').

Raceways shall terminate 75 (3) above top of concrete foundation.

For 480 V service, a step down transformer (dashed lines) is required.

Two (2) spare branch breakers are required but are not shown.

All dimensions are in millimeters (inches) unless otherwise shown.

1 REVISED (4-13-07)

REVISIONS	
NAME	DATE
DLG	4-13-07

ILLINOIS DEPARTMENT OF TRANSPORTATION

LIGHTING DETAILS

SCALE: VERT. HORIZ.
DATE

DRAWN BY KOJ
CHECKED BY BWC

CADD FILE: 4812/DW/LightingA.dgn
PLOTTED: 4/16/2007