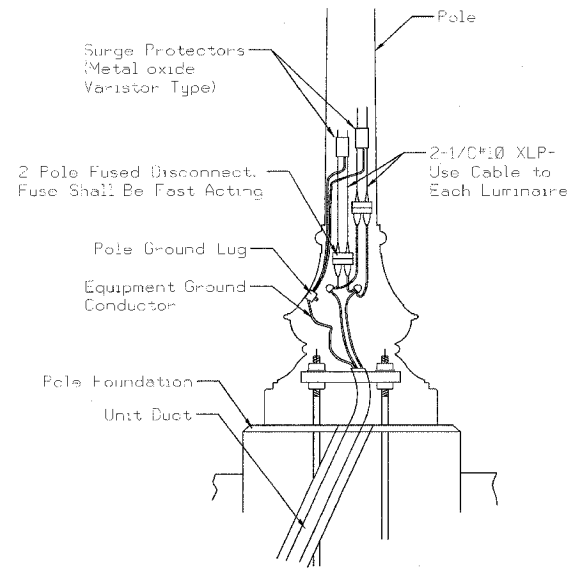


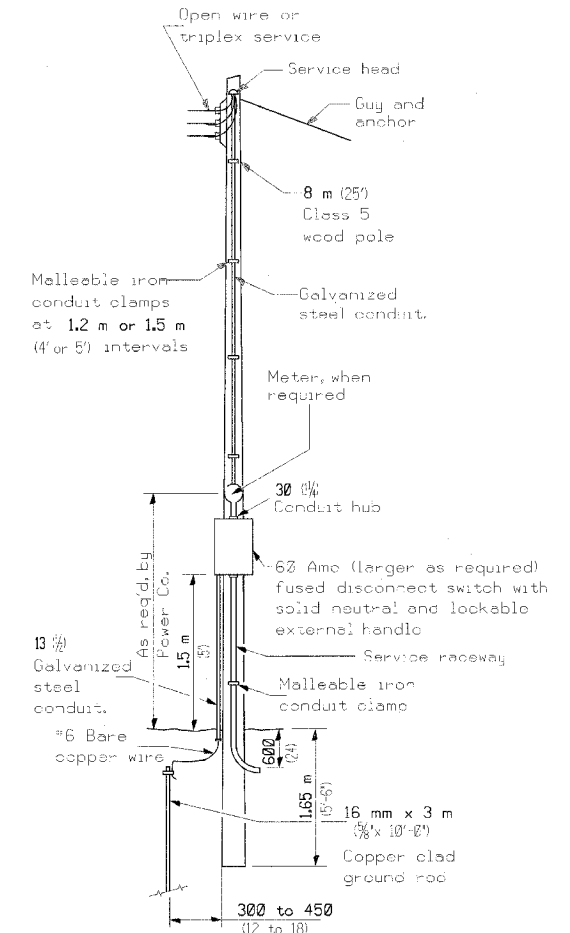
F.A.U. RTE.	SECTION	COUNTY	TOTAL SHEETS	SHEET NO.
0419	99-00048-01-PV	FAYETTE	142	98b
STA.		TO STA.		
FED. ROAD DIST. NO.	ILLINOIS	FED. AID PROJECT		
CONTRACT NO. 95500				

LIGHT POLE MOUNTING HEIGHT	BOLT CIRCLE DIAMETER	CONCRETE FOUNDATION		
		SHAFT DIAMETER	SHAFT DEPTH	ANCHOR ROD LENGTH
9.1 m (30')	406 (16)	762 (30)	1.83 m (6'-0")	1.75 m (5'-9")

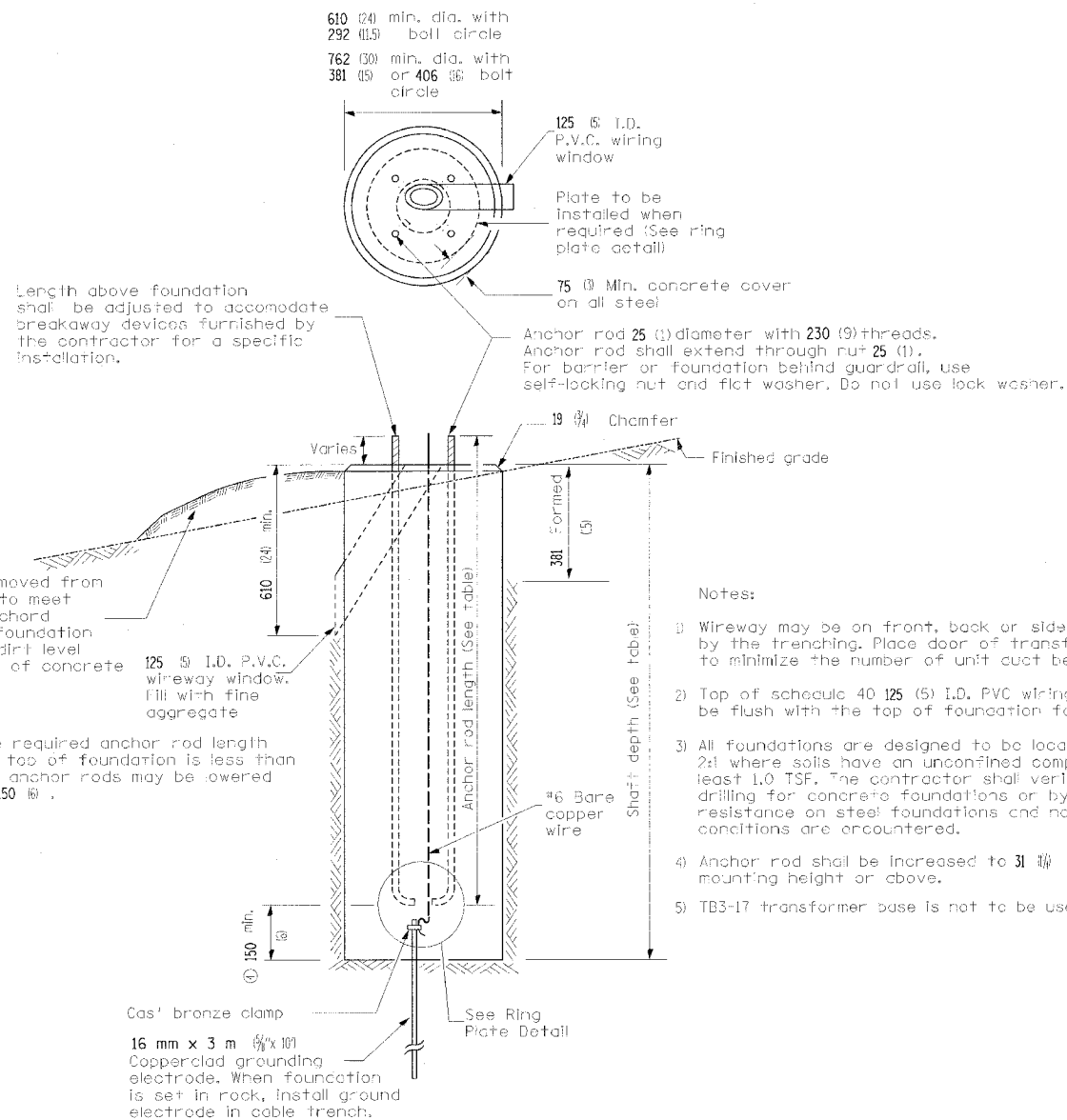


POLE BASE MOUNTING & WIRING

- A. Neutral pole of fused disconnect shall have an insert.
- B. Receptacle shall be connected in similar fashion, using fused disconnect with an insert.



SERVICE POLE



CONCRETE FOUNDATION
TYPE A (SPECIAL)

Notes:

- 1) Wireway may be on front, back or side of foundation as required by the trenching. Place door of transformer base on wireway side to minimize the number of unit duct bends.
- 2) Top of schedule 40 125 (5) I.D. PVC wiring window, shall be flush with the top of foundation for drainage.
- 3) All foundations are designed to be located on slopes not exceeding 2:1 where soils have an unconfined compressive strength of at least 1.0 TSF. The contractor shall verify the soil strength during drilling for concrete foundations or by monitoring installation resistance on steel foundations and notify the engineer if other conditions are encountered.
- 4) Anchor rod shall be increased to 31 (1 1/4) diameter for 15.24 (50') mounting height or above.
- 5) TB3-17 transformer base is not to be used on metal foundation

1 REVISED (4-13-07)

REVISIONS	
NAME	DATE
DLD	4-13-07

ILLINOIS DEPARTMENT OF TRANSPORTATION

LIGHTING DETAILS

SCALE: VERT. HORIZ. DATE

DRAWN BY KOJ CHECKED BY BWC