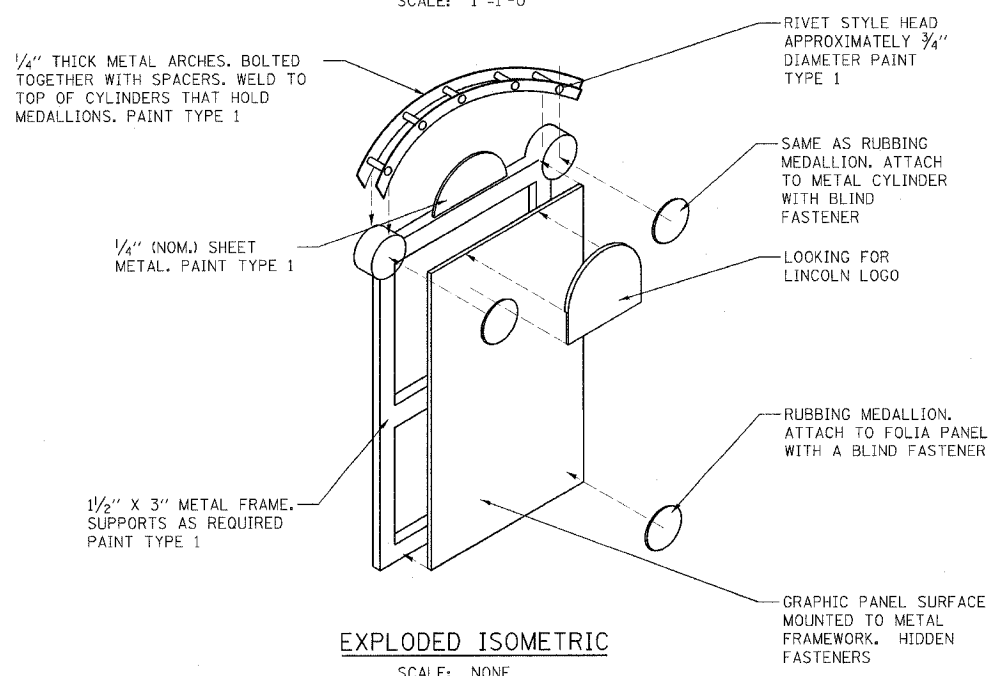
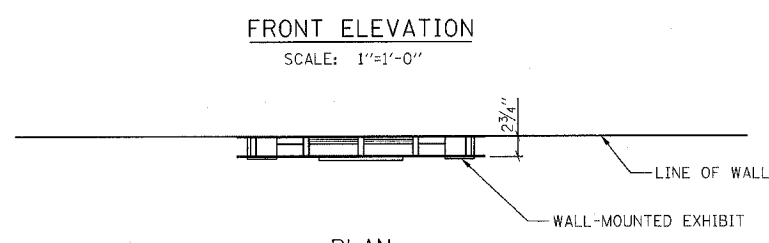
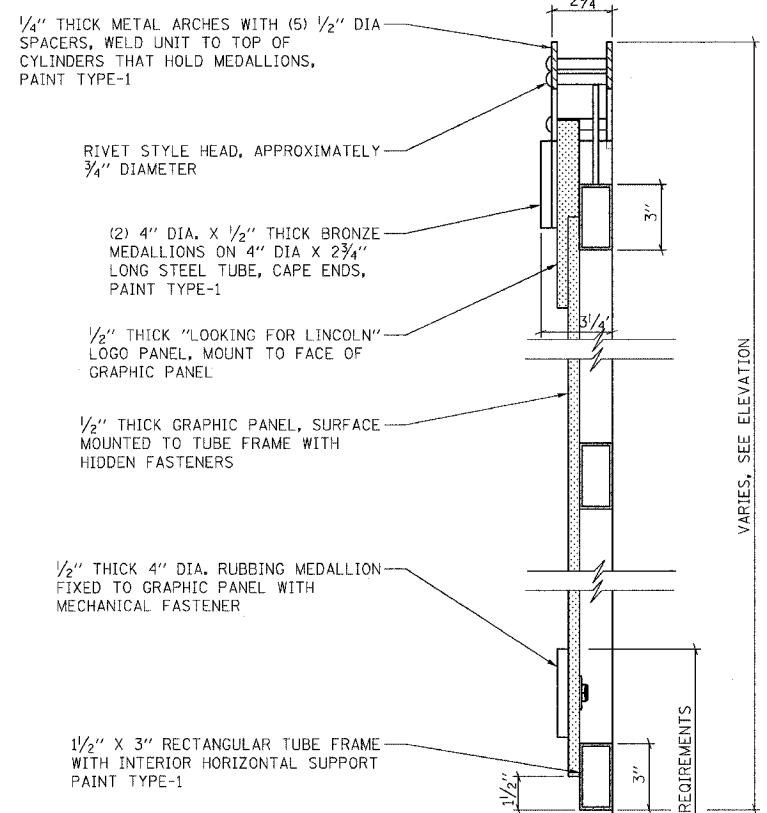
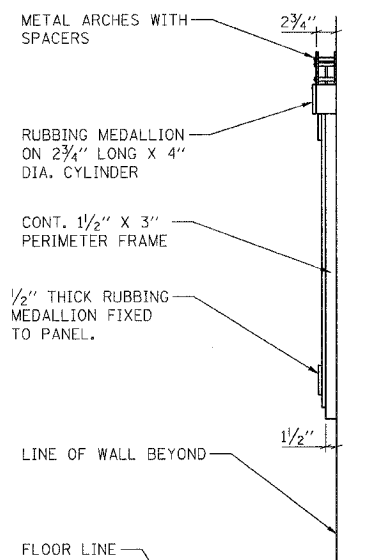
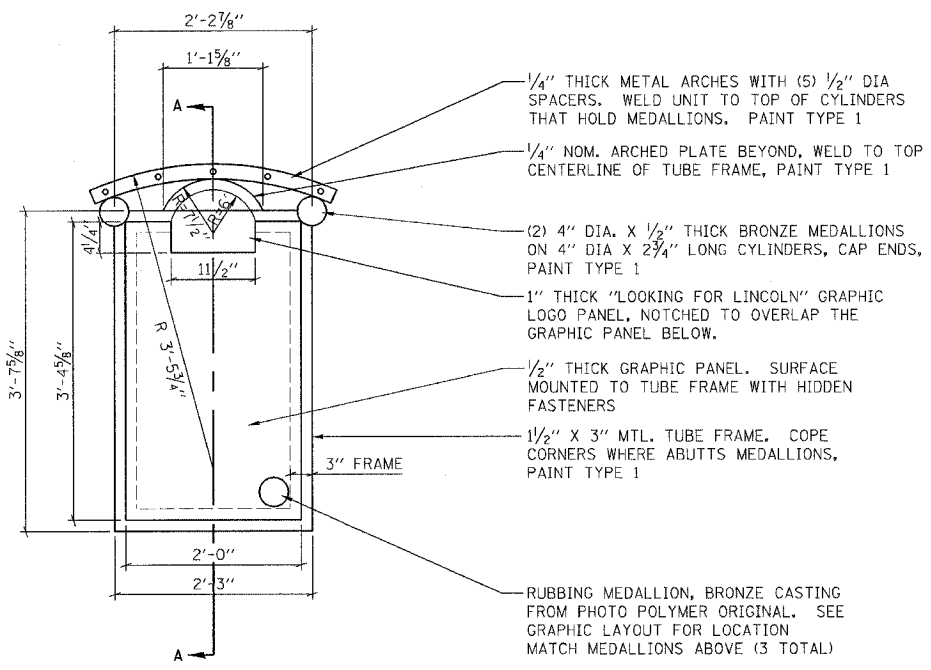


F.A. DIST. NO.	SECTION	COUNTY	TOTAL SHEETS	SHEET NO.
8419	99-00048-01-PV	FAYETTE	142	89
STA.	TO STA.			
FED. ROAD DIST. NO.	ILLINOIS FED. AID PROJECT			
CONTRACT NO. 95500				



REVISIONS	
NAME	DATE

ILLINOIS DEPARTMENT OF TRANSPORTATION

SERIES A  
OUTDOOR INTERPRETIVES  
SIGN TYPE A4

SCALE: VERT. HORIZ.  
DATE

DRAWN BY KOJ  
CHECKED BY BWC

CADD FILE: /4812/DH/LSB\_A4.dgn  
PLOTTED: 01/23/2007

H.M. & G. INC. 4812