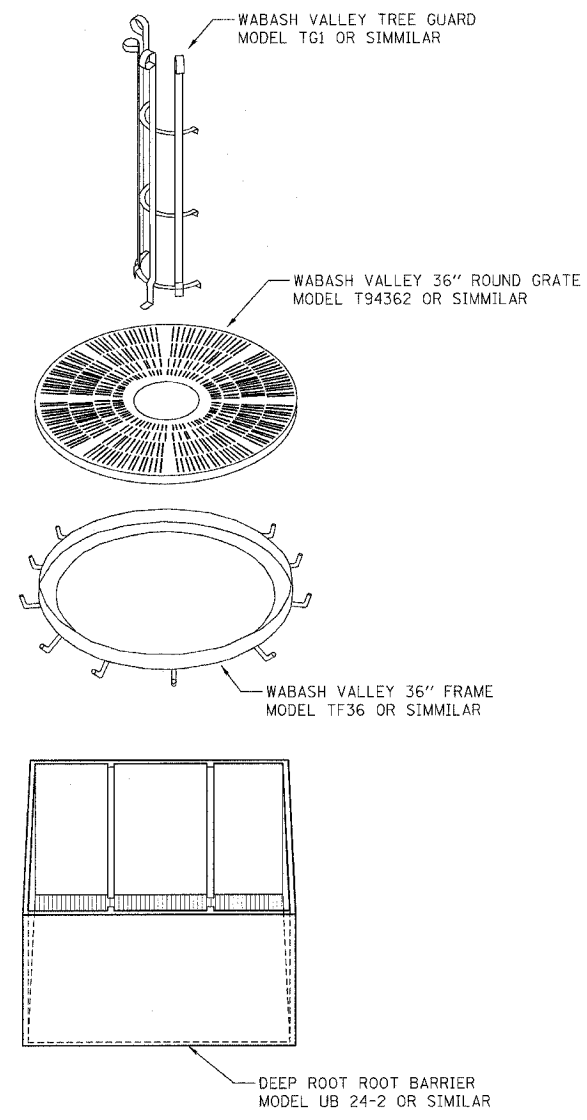
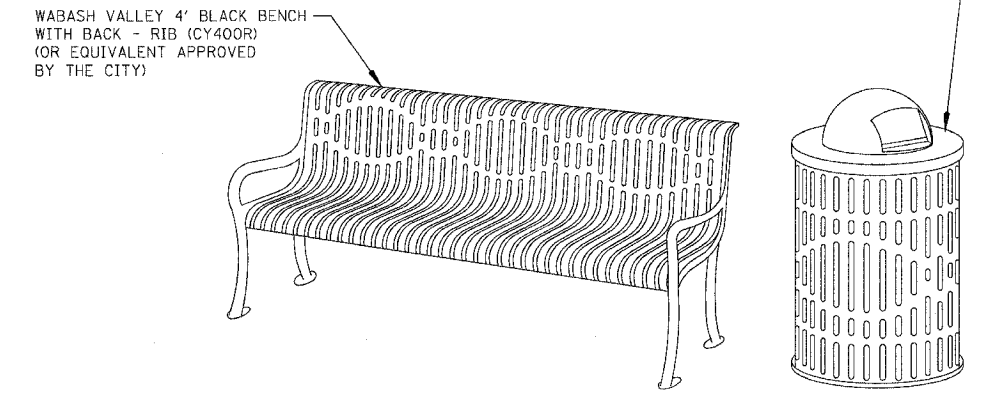


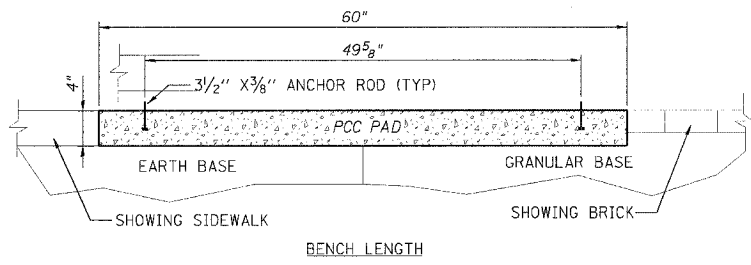
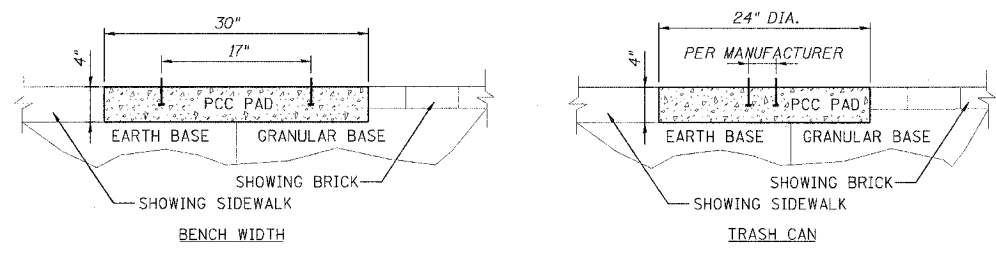
F.A. DIST. NO.	SECTION	COUNTY	TOTAL SHEETS	SHEET NO.
8419	99-00048-01-PV	FAYETTE	142	90
STA.		TO STA.		
FED. ROAD DIST. NO.		ILLINOIS	FED. AID PROJECT	
CONTRACT NO. 95500				



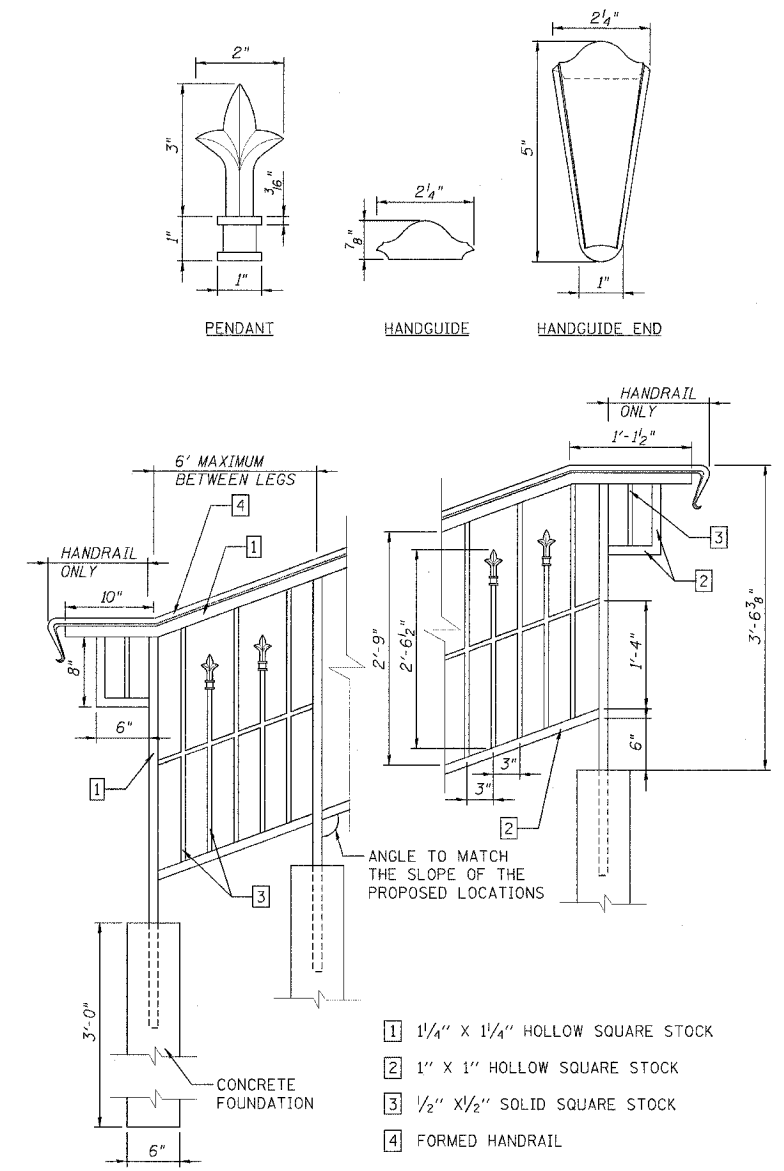
TREE GRATES, FRAMES, GUARDS, & ROOT BARRIER



4' BLACK BENCH & 22 GALLON BLACK TRASH CAN



BENCH & TRASH CAN MOUNTING SECTIONS



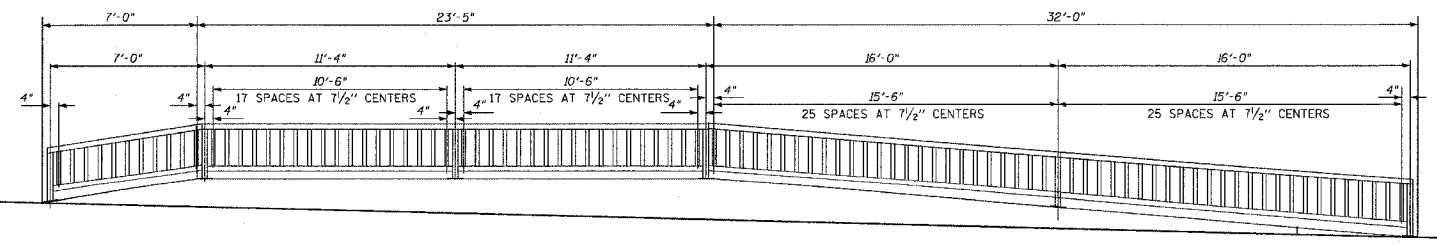
ORNAMENTAL HANDRAIL DETAIL

NOTES:
 ORNAMENTAL HANDRAIL SHALL BE CONSTRUCTED TO THE GENERAL DIMENSIONS SHOWN AS TO AESTHETICALLY MATCH THE RAILING IN THE NORTHEAST QUADRANT OF THE STATE HOUSE PROPERTY. THE CONTRACTOR SHALL PROVIDE SAMPLE BUILDING MATERIALS FOR APPROVAL BEFORE FABRICATION.

THE PORTION LABELED "HANDRAIL ONLY" IN THE DETAIL ABOVE WILL NOT BE REQUIRED BEHIND THE STORY BOARD.

THE CONTRACTOR SHALL PLACE THE HANDRAIL AT AN ELEVATION BEHIND THE STORYBOARD SO THAT IT DOES NOT EXCEED THE HEIGHT OF THE STORYBOARD. THE HEIGHT OF THE STORYBOARD IS APPROXIMATELY 3 FEET. GRADING MAY BE REQUIRED.

LEGS WITH FOUNDATIONS SHALL BE PLACED NO FARTHER THAN 6 FEET APART.



HANDRAIL ELEVATION

REVISIONS		ILLINOIS DEPARTMENT OF TRANSPORTATION
NAME	DATE	
		VANDALIA - GALLATIN STREET DETAILS

SCALE: VERT. _____
 HORIZ. _____
 DATE _____

DRAWN BY KOJ
 CHECKED BY BWC

CADD FILE: 4812/D/L_detailed/110.dgn
 PLOTTED: 01/23/2007

H.M. & G. INC. 4812