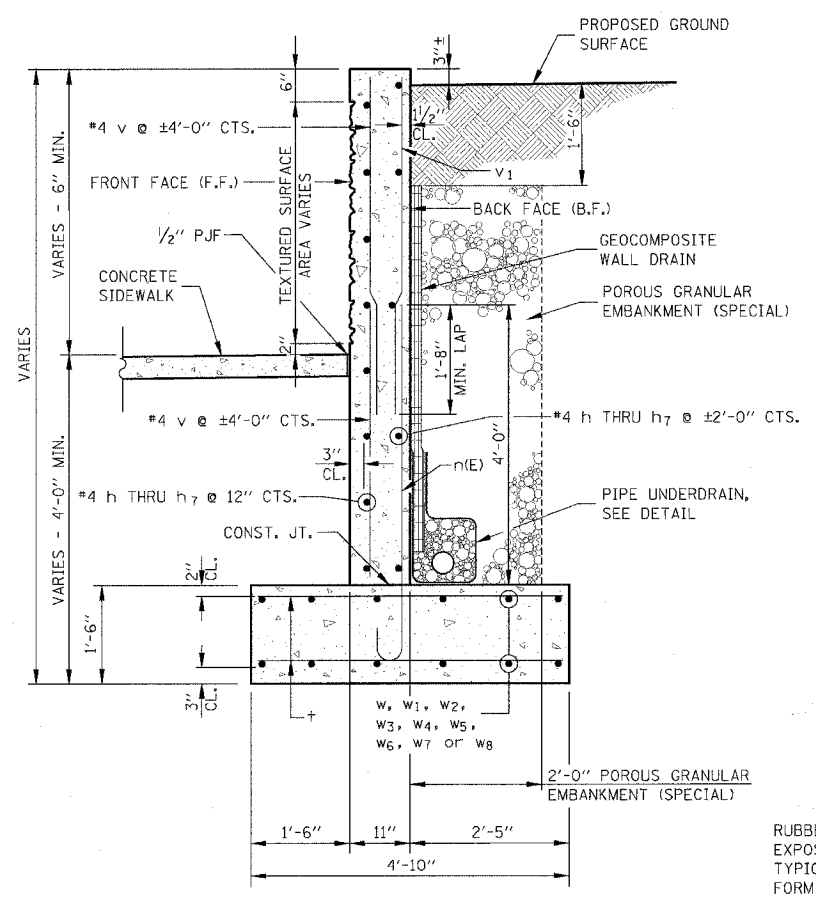
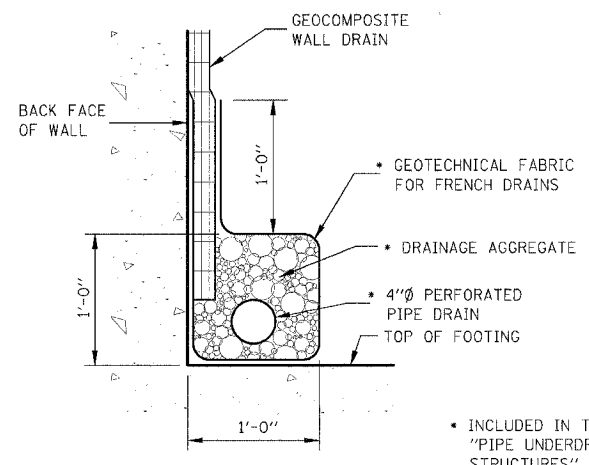


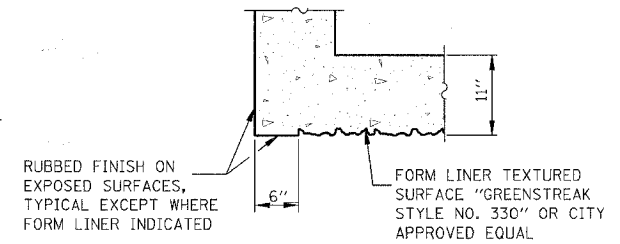
F.A.L. RTE.	SECTION	COUNTY	TOTAL SHEETS	SHEET NO.
8419	99-00048-01-PV	FAYETTE	142	101
STA.	TO STA.			
FED. ROAD DIST. NO.	ILLINOIS	FED. AID PROJECT		
CONTRACT NO. 95500		4'-4"		



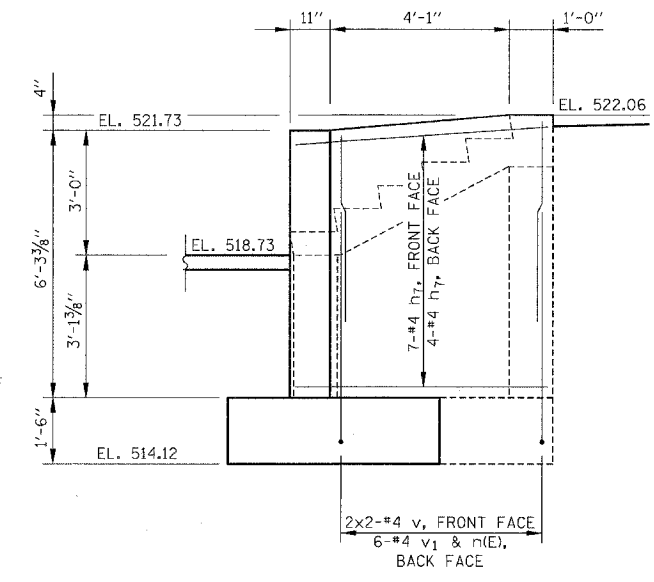
TYPICAL RETAINING WALL SECTION



PIPE UNDERDRAIN DETAIL



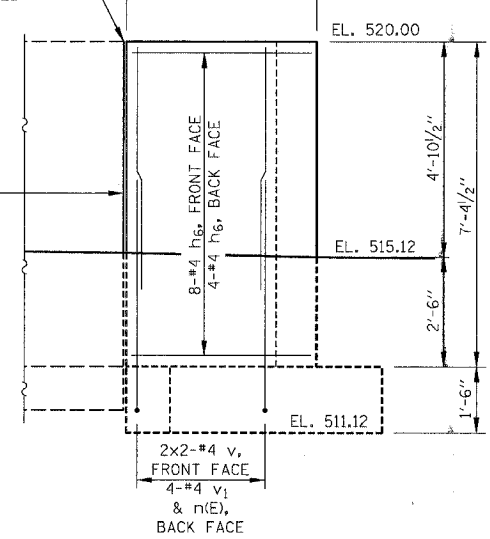
SECTION B-B



VIEW D-D

1/2" PJF TACKED TO EXIST. WALL w/ CONCRETE NAILS (FLAT HD. C.S.) 1" LONG @ 12" CTS. VERTICALLY

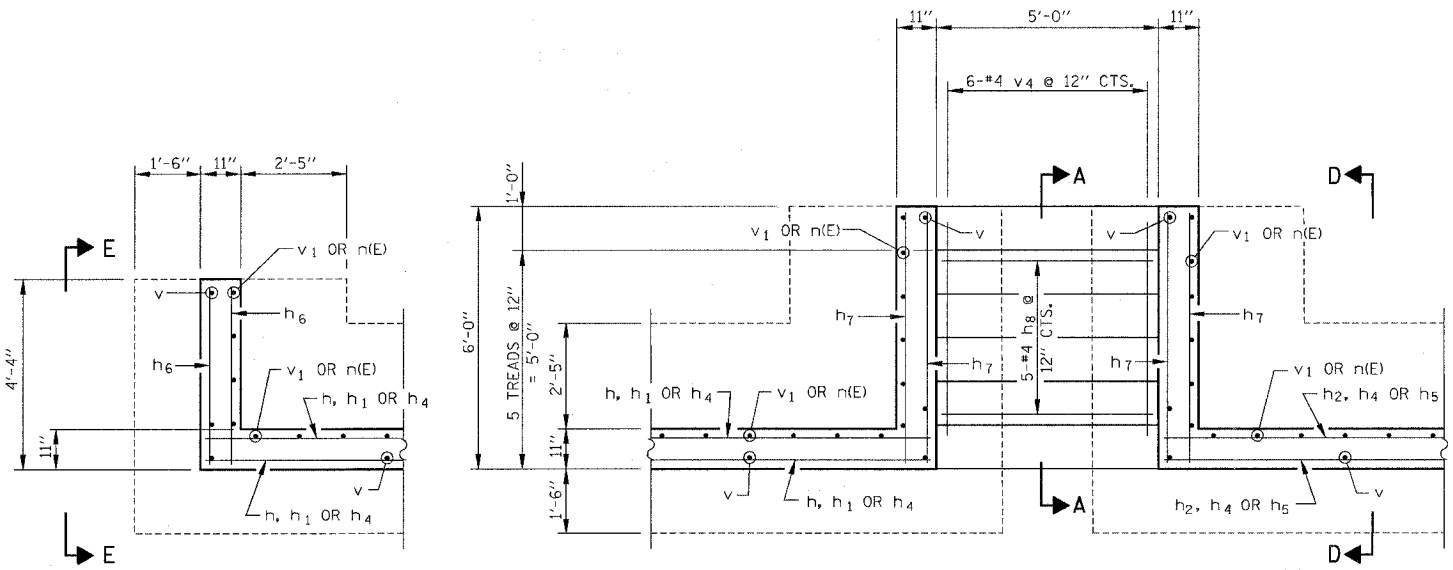
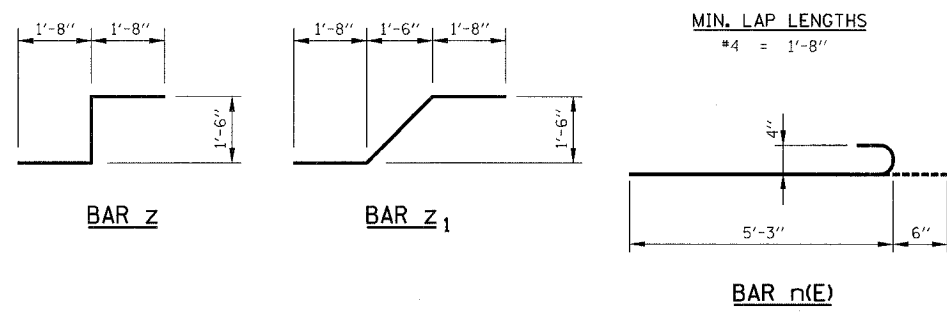
SAWCUT EXISTING WALL AT JOINT



VIEW E-E

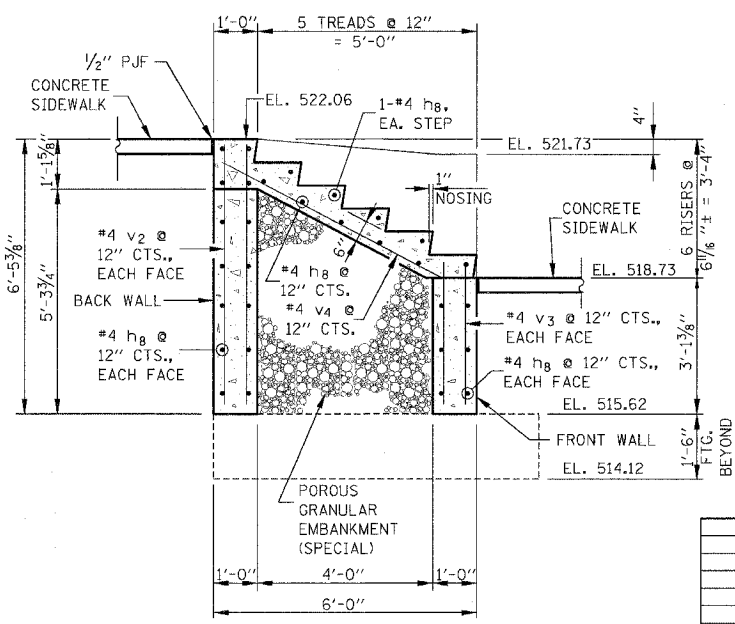
BILL OF MATERIAL

BAR	NO.	SIZE	LENGTH	SHAPE
h	10	#4	33'-2"	—
h1	3	#4	10'-6"	—
h2	11	#4	36'-10"	—
h3	11	#4	12'-0"	—
h4	6	#4	24'-8"	—
h5	3	#4	8'-2"	—
h6	12	#4	4'-0"	—
h7	22	#4	5'-8"	—
h8	30	#4	4'-8"	—
n(E)	101	#4	5'-9"	U
t	160	#4	4'-6"	—
v	58	#4	4'-8"	—
v1	101	#4	5'-5"	—
v2	12	#4	6'-1"	—
v3	12	#4	3'-4"	—
v4	6	#4	5'-6"	—
w	12	#4	13'-6"	—
w1	12	#4	15'-4"	—
w2	12	#4	9'-8"	—
w3	12	#4	11'-2"	—
w4	12	#4	17'-8"	—
w5	12	#4	12'-2"	—
w6	12	#4	11'-8"	—
w7	12	#4	5'-6"	—
w8	24	#4	7'-2"	—
z	24	#4	4'-10"	—
z1	24	#4	5'-6"	—
REINFORCEMENT BARS		POUND	3,110	
REINFORCEMENT BARS, EPOXY COATED		POUND	390	
CONCRETE STRUCTURES		CJ YD	49.8	



DETAIL C

STAIR PLAN



SECTION A-A

REVISIONS	
NAME	DATE

ILLINOIS DEPARTMENT OF TRANSPORTATION

RETAINING WALL DETAILS

SCALE: VERT. DATE  
HORIZ. DRAWN BY KOJ KHL  
CHECKED BY BMBGH

CADD FILE: /4812/retwall\_dets\_4460.dgn  
PLOTTED: 01/23/2007

ILL. & G. NO. 4812