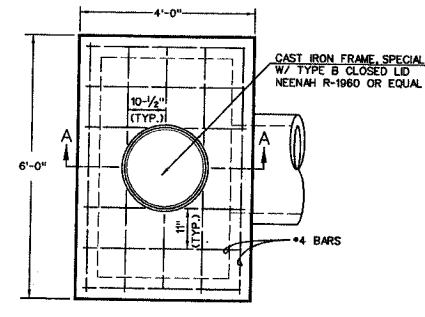
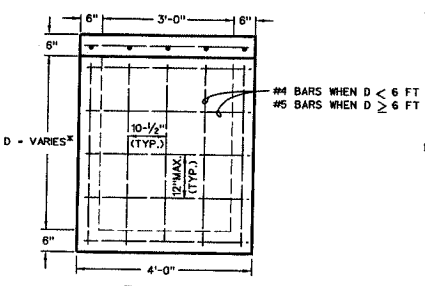


F.A.U. ROUTE	SECTION	COUNTY	TOTAL SHEETS	SHEET NUMBER
9415	02-00055-00-RP	RANDOLPH	35	5
CITY OF CHESTER		PROJECT NO. M-5014(008)		
CONTRACT NO. 97274		JOB NO. C98-304-06		
FEDERAL AID PROJECT				



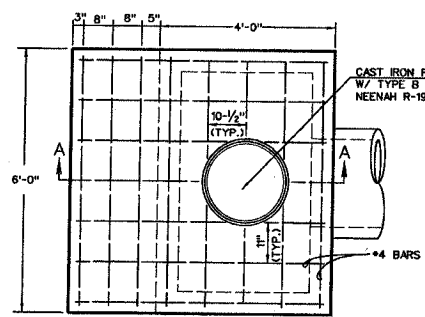
PLAN



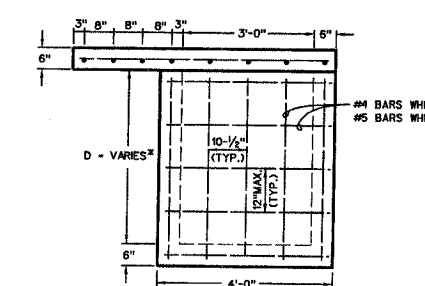
ELEVATION

x - SEE SHEET 11

DETAIL - INLET BOX, SPECIAL, NO.1 (3'x5')
NOT TO SCALE



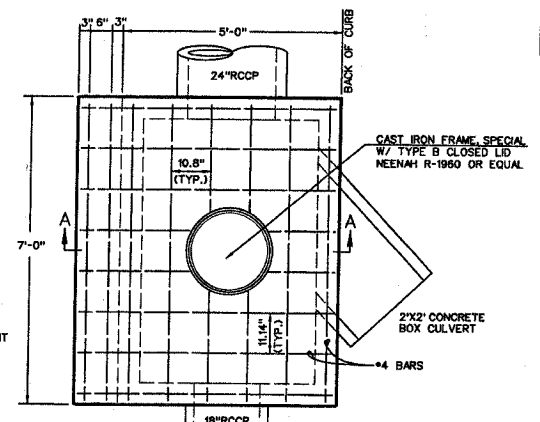
PLAN



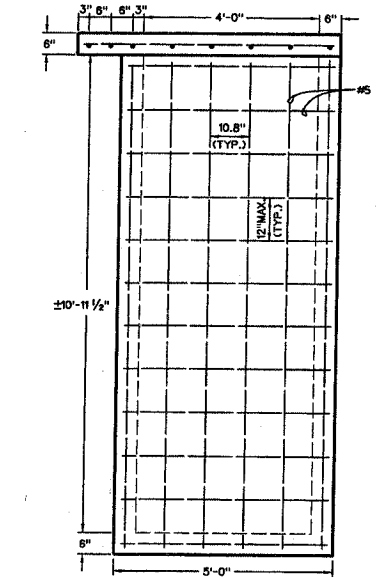
ELEVATION

x - SEE SHEET 11

DETAIL - INLET BOX, SPECIAL, NO.2 (3'x5')
W/ 6'X6' TOP
NOT TO SCALE

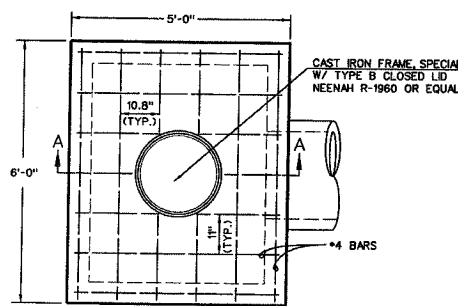


PLAN

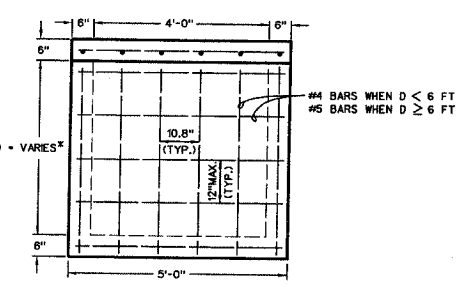


ELEVATION

DETAIL - INLET BOX, SPECIAL, NO.4 (4'x6')
NOT TO SCALE



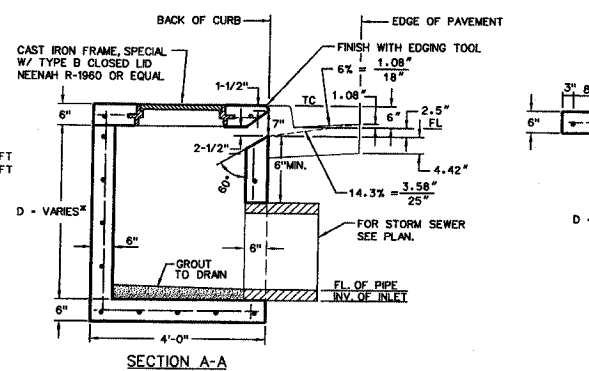
PLAN



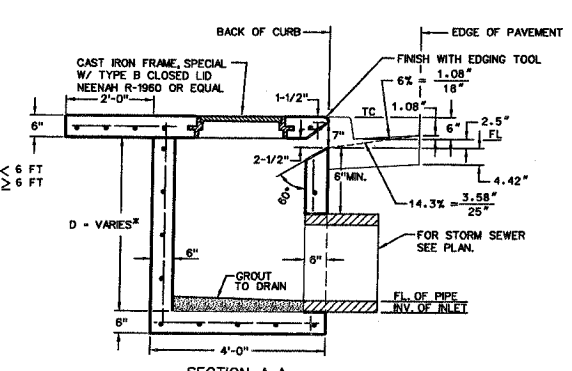
ELEVATION

x - SEE SHEET 11

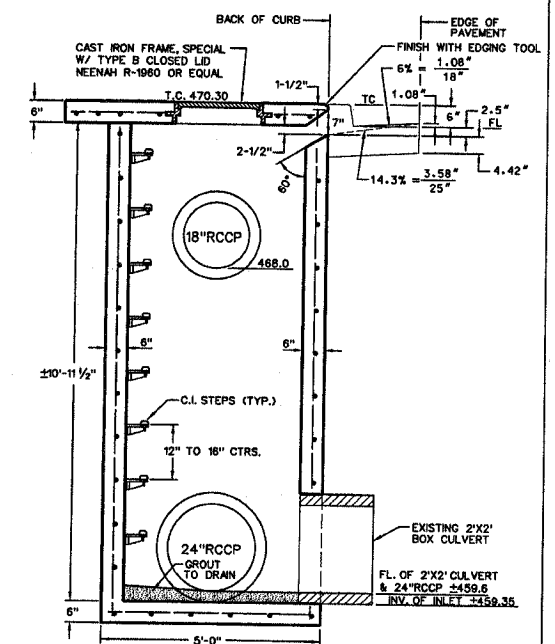
DETAIL - INLET BOX, SPECIAL, NO.3 (4'x5')
NOT TO SCALE



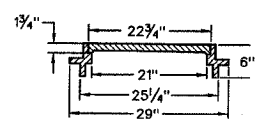
SECTION A-A



SECTION A-A



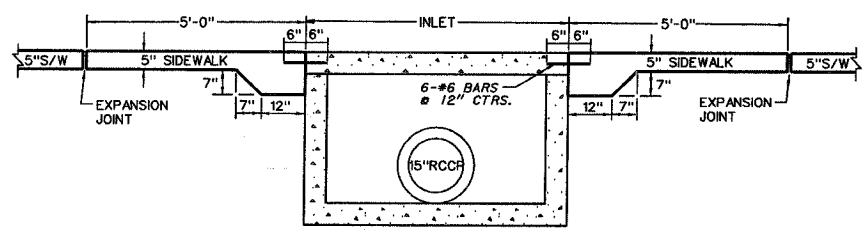
SECTION A-A



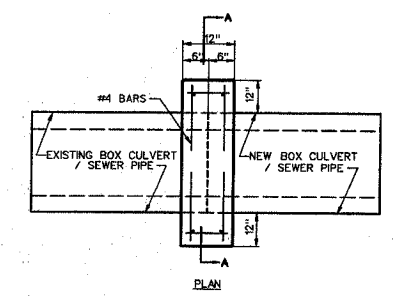
NEENAH R-1960 SERIES
FRAMES, SOLID LIDS
NOT TO SCALE

NOTES TO CONTRACTOR:

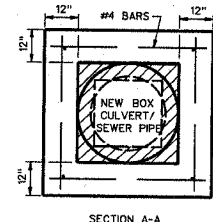
1. THE TOP OF CASTING ELEVATIONS SHOWN ON THE PLAN AND PROFILES IS LOCATED AT THE CENTER OF INLET BOX SPECIALS AT THE BACK/TOP OF CURB. THE CONTRACTOR SHALL SLOPE THE TOP OF THE INLETS TO MATCH THE GRADE OF THE CURB AND GUTTER AND/OR SIDEWALK.
2. CAST IRON STEPS TO BE INSTALLED IN ALL INLETS DEEPER THAN 4 FEET. SEE HIGHWAY STANDARD 602701.
3. ALL INLET BOX SPECIALS SHALL BE PRECAST.
4. INLET BOX SPECIALS (LESS THAN 6 FEET IN DEPTH). REBARS IN WALLS AND BOTTOMS SHALL BE #4 BARS. REBARS IN TOPS SHALL BE #4 BARS.
5. INLET BOX SPECIALS (6 FEET AND OVER IN DEPTH). REBARS IN WALLS AND BOTTOMS SHALL BE #5 BARS. REBARS IN TOPS SHALL BE #4 BARS.
6. REINFORCEMENT IN PRECAST INLET BOX SPECIALS SHALL MEET ALL SPECIFICATIONS OF THE ILLINOIS DEPT. OF TRANSPORTATION'S LATEST EDITION OF THE "STANDARD SPECIFICATIONS FOR ROAD AND BRIDGE CONSTRUCTION IN ILLINOIS".
7. SHOP DRAWINGS FROM THE MANUFACTURER OF ALL INLET BOX SPECIALS MUST BE APPROVED BY THE ENGINEER PRIOR TO THE PRODUCTION OF INLETS AT THE PLANT.



DETAIL - SIDEWALK JOINT @ INLET BOX SPECIAL W/ SIDEWALK THICKENING
NOT TO SCALE



PLAN



SECTION A-A

DETAIL OF CONCRETE COLLAR FOR BOX CULVERT & SEWER PIPE
NOT TO SCALE