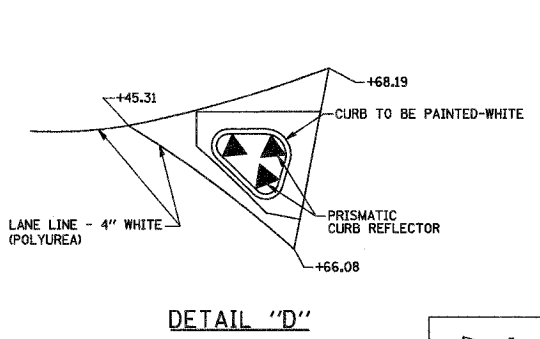
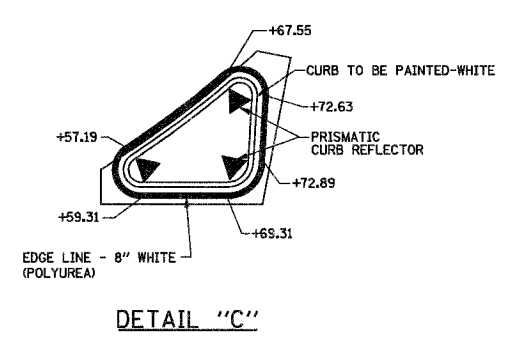
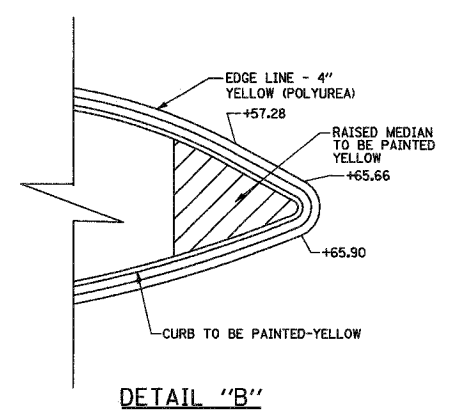
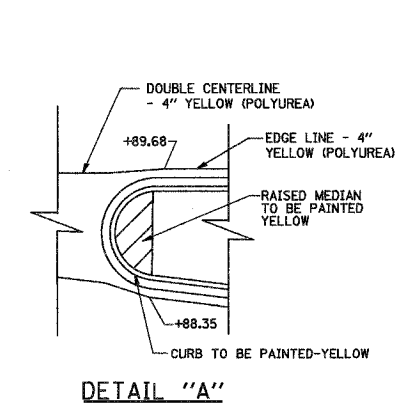
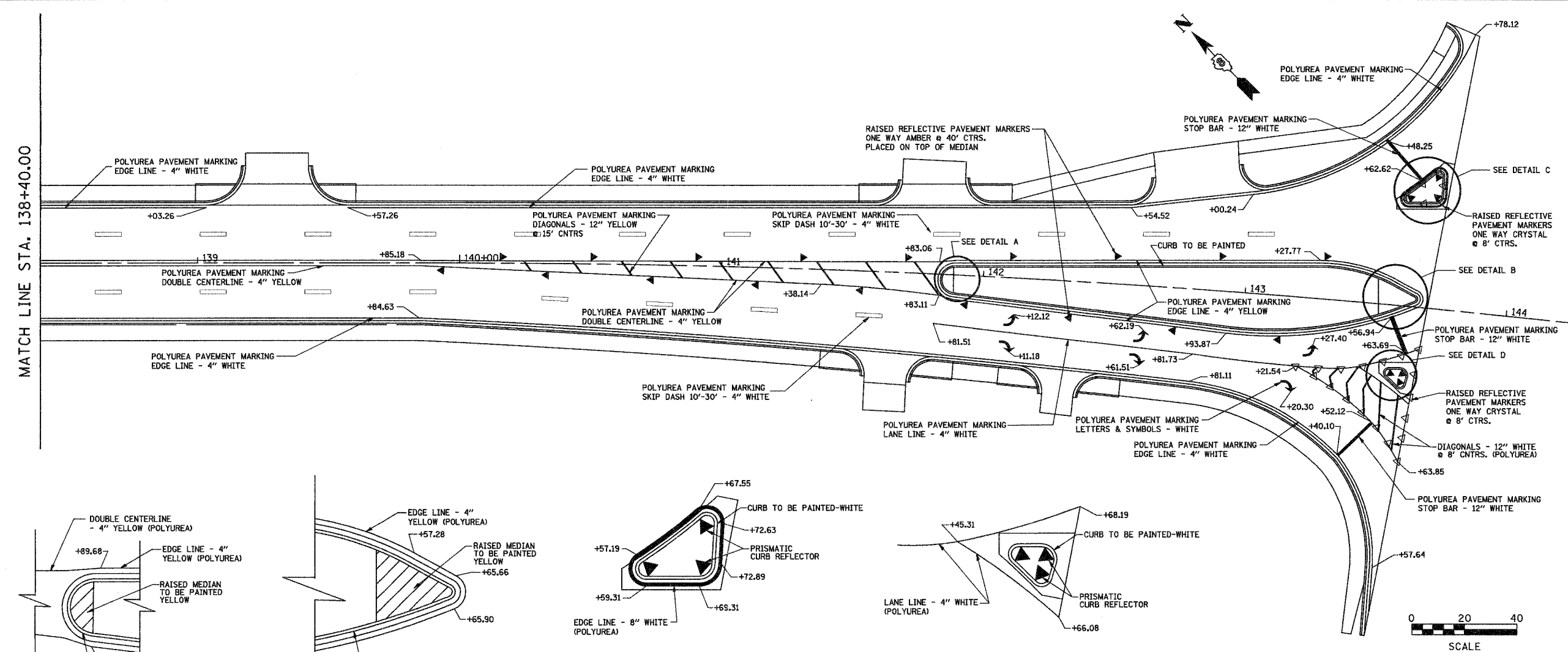
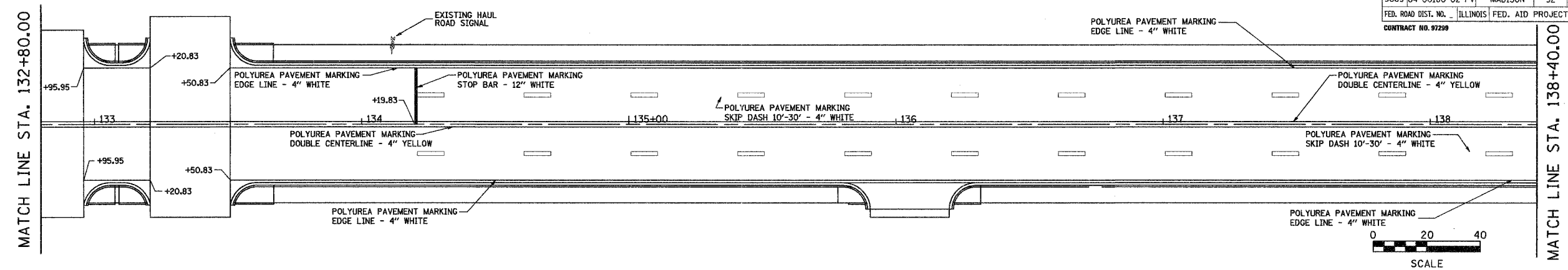


F.A.U. RTE.	SECTION	COUNTY	TOTAL SHEETS	SHEET NO.
9089	04-00180-02-PV	MADISON	92	61
FED. ROAD DIST. NO.	ILLINOIS	FED. AID PROJECT		
CONTRACT NO. 97299				



DATE	BY
FINAL SURVEY PLOTTED	
NOTE BOOK TEMPLATE	
AREAS CHECKED	
NO.	

DATE	BY
ORIGINAL SURVEY PLOTTED	
NOTE BOOK TEMPLATE	
AREAS CHECKED	
NO.	

Juneau Associates, Inc. P.C.
CONSULTING ENGINEERS AND LAND SURVEYORS
2120 Shaw Street, P.O. Box 1205
Granite City, Illinois 62041
Phone: (618) 987-1400 / (618) 987-0335
Fax: (618) 987-0341

PAVEMENT MARKINGS
F.A.U. ROUTE 9089
20TH STREET (PHASES II, III & IV)
GRANITE CITY, ILLINOIS
SECTION No. 04-00180-02-PV

REVISIONS			
NO.	DATE	BY	REMARKS

SCALE: 1 inch = 20 feet	
DGN. BY: BFK	DATE: 12/26/06
DWN. BY: DAN	DATE: 12/26/06
CHK'D: BFK	DATE: 12/26/06
JOB NO. E030204	DGN. NAME: PMARK_04

SHEET 61 OF 92 SHTS