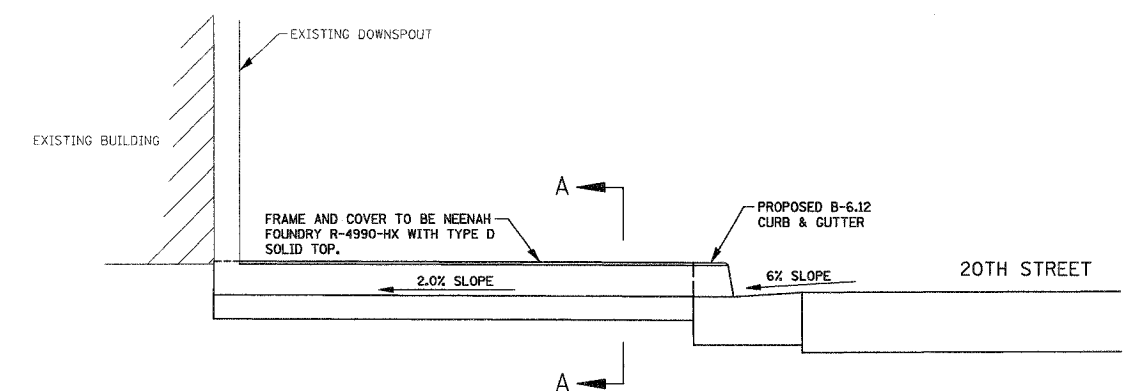
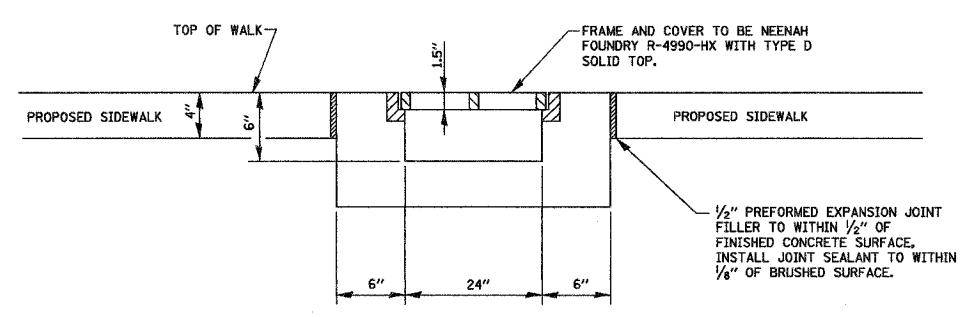


F.A.U. RTE.	SECTION	COUNTY	TOTAL SHEETS	SHEET NO.
9089	04-00180-02-PV	MADISON	92	69
FED. ROAD DIST. NO.		ILLINOIS FED. AID PROJECT		
CONTRACT NO. 87299				

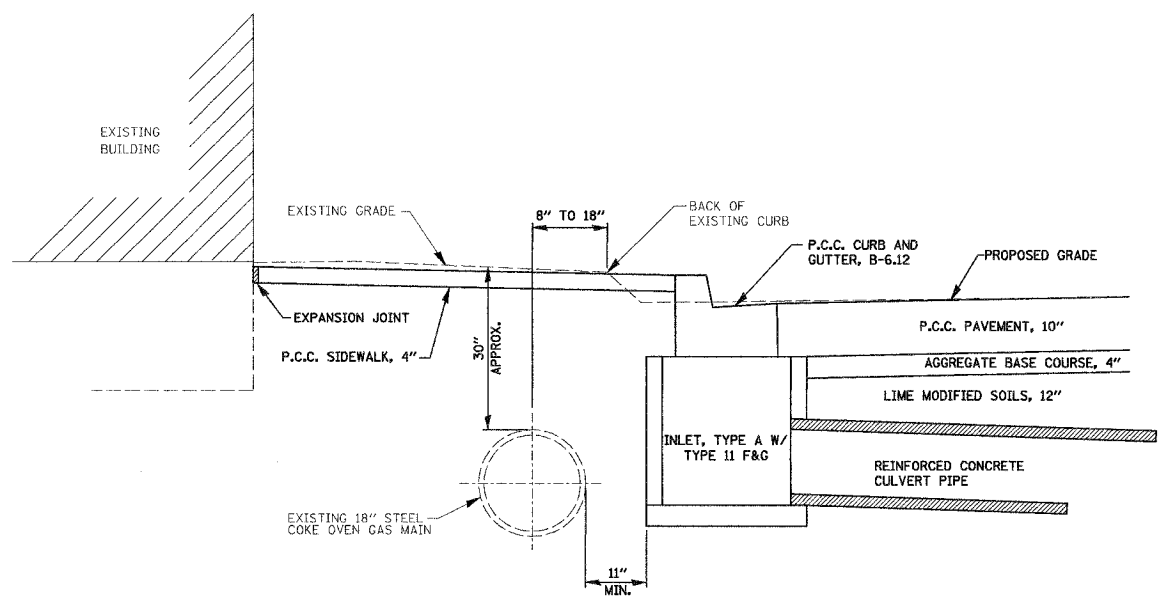


TYPICAL SECTION
N.T.S.

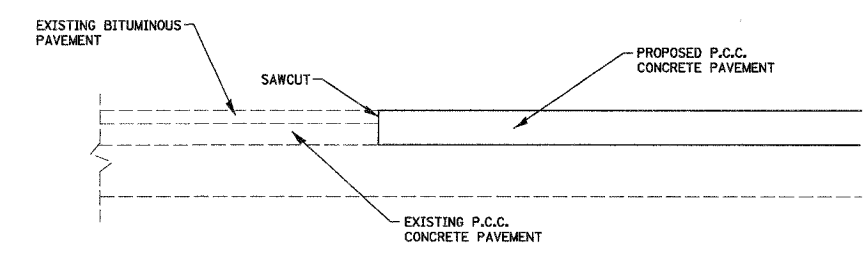


SECTION A-A

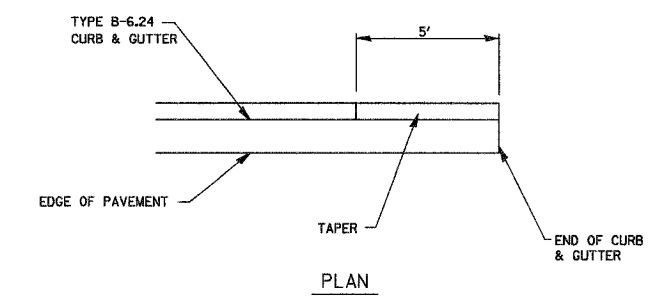
DOWNSPOUT OUTLET FLUME
N.T.S.



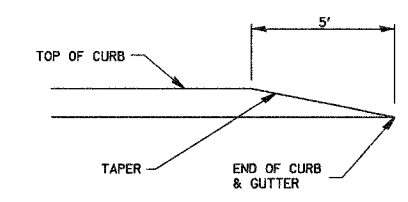
TYPICAL GAS MAIN / STORM SEWER SECTION
N.T.S.



BUTT JOINT DETAIL



PLAN



ELEVATION

CURB AND GUTTER TERMINI
N.T.S.

DATE	BY

DATE	BY

<p>Juneau Associates, Inc. P.C. CONSULTING ENGINEERS AND LAND SURVEYORS 2120 State Street, P.O. Box 5325 Granite City, Illinois 62041 Phone (618) 277-1100 / (618) 483-8835 Fax (618) 483-5641</p>				<p>MISCELLANEOUS DETAILS F.A.U. ROUTE 9089 20TH STREET (PHASES II, III & IV) GRANITE CITY, ILLINOIS SECTION No. 04-00180-02-PV</p>																			
<p>REVISIONS</p> <table border="1"> <thead> <tr> <th>NO.</th> <th>DATE</th> <th>BY</th> <th>REMARKS</th> </tr> </thead> <tbody> <tr> <td> </td> <td> </td> <td> </td> <td> </td> </tr> <tr> <td> </td> <td> </td> <td> </td> <td> </td> </tr> <tr> <td> </td> <td> </td> <td> </td> <td> </td> </tr> </tbody> </table>				NO.	DATE	BY	REMARKS													<p>SCALE: NOT TO SCALE</p>			
NO.	DATE	BY	REMARKS																				
<p>DWG. NO.</p>				<p>DSN. BY: BFK DATE: 12/26/06 SHEET</p>																			
<p>DWG. NO.</p>				<p>DWN. BY: DAN DATE: 12/26/06 69</p>																			
<p>DWG. NO.</p>				<p>CHK'D: BFK DATE: 12/26/06</p>																			
<p>DWG. NO.</p>				<p>JOB NO. 030204 DGN. NAME: misc.dtls OF 92 SHTS</p>																			