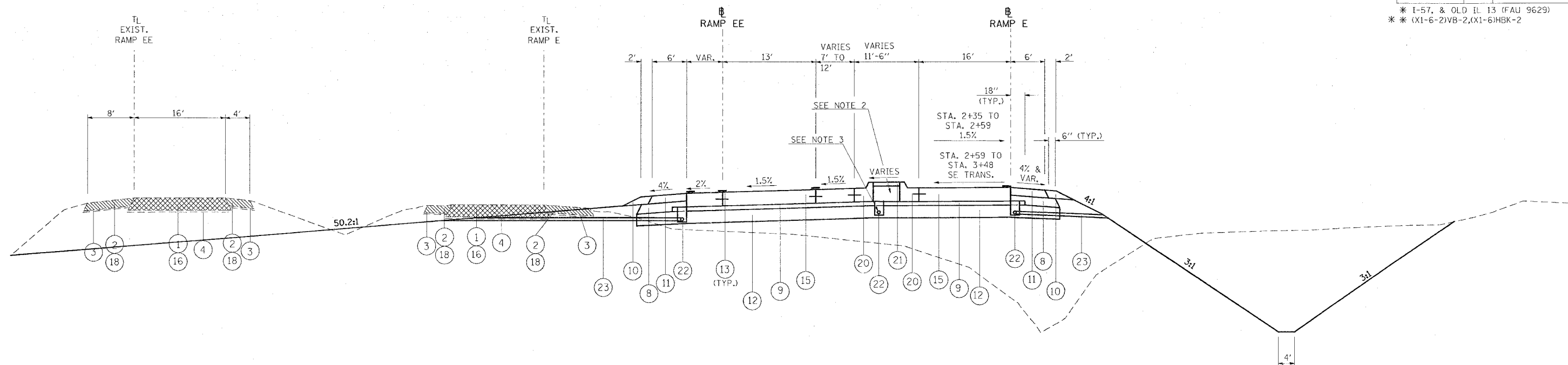


|                                |          |                  |              |           |
|--------------------------------|----------|------------------|--------------|-----------|
| F.A. RTE.                      | SECTION  | COUNTY           | TOTAL SHEETS | SHEET NO. |
| *                              | **       | WILLIAMSON       | 917          | 80        |
| STA.                           |          | TO STA.          |              |           |
| FED. ROAD DIST. NO.            | ILLINOIS | FED. AID PROJECT |              |           |
| * I-57, & OLD IL 13 (FAU 9629) |          |                  |              |           |
| * (X1-6-2)VB-2,(X1-6)HBK-2     |          |                  |              |           |



**TO BE USED:**

RAMP EE: STA. 16+69.69 TO STA. 17+90

**TO BE USED:**

RAMP E: STA. 2+35 TO STA. 3+48

- ① EXISTING CONCRETE PAVEMENT, 10"
- ② EXISTING BITUMINOUS SHOULDERS 8"
- ③ EXISTING AGGREGATE BASE COURSE
- ④ EXISTING SUB-BASE GRANULAR MATERIAL TYPE A 6"
- ⑤ EXISTING COMBINATION CONCRETE CURB AND GUTTER
- ⑥ EXISTING BITUMINOUS RESURFACING
- ⑦ BITUMINOUS CONCRETE PAVEMENT (FULL DEPTH), SUPERPAVE, 1 1/4"  
POLYMERIZED BITUMINOUS CONCRETE SURFACE COURSE, SUPERPAVE, MIX. D, N105, 1 1/2"  
POLYMERIZED BITUMINOUS CONCRETE BINDER COURSE, SUPERPAVE, IL-19.0, N105, 2 1/4"  
BITUMINOUS CONCRETE BINDER COURSE, SUPERPAVE, N90, 10 1/2"
- ⑧ SUB-BASE GRANULAR MATERIAL, TYPE C
- ⑨ STABILIZED SUB-BASE 4"
- ⑩ AGGREGATE SHOULDERS, TYPE A, 8"
- ⑪ BITUMINOUS SHOULDERS SUPERPAVE, 8"
- ⑫ PROCESSING LIME MODIFIED SOILS 12"
- ⑬ POLYUREA PAVEMENT MARKING TYPE II - LINE 4"
- ⑭ THERMOPLASTIC PAVEMENT MARKING - LINE 4"
- ⑮ PORTLAND CEMENT CONCRETE PAVEMENT 10" (JOINTED)
- ⑯ PAVEMENT REMOVAL
- ⑰ COMBINATION CURB AND GUTTER REMOVAL
- ⑱ PAVED SHOULDER REMOVAL
- ⑲ COMBINATION CONCRETE CURB AND GUTTER, TYPE B-6.06
- ⑳ COMBINATION CONCRETE CURB AND GUTTER, TYPE B-6.24
- ㉑ CONCRETE MEDIAN SURFACE, 4 INCH
- ㉒ PIPE UNDERDRAINS 4"
- ㉓ PIPE UNDERDRAINS 4" (SPECIAL)
- ㉔ EXISTING BITUMINOUS RESURFACING (VARIES 4 1/2" TO 5 1/4")
- ㉕ EXISTING 10" P.C.C. PAVEMENT, 1 1/2" PARABOLIC CROWN
- ㉖ EXISTING 6" AGGREGATE SUB-BASE (4" ON RAMP "C")
- ㉗ BITUMINOUS SHOULDERS SUPERPAVE

- ㉘ BITUMINOUS CONCRETE BINDER COURSE, SUPERPAVE, IL-19.0, N90 9 3/4"
- ㉙ TEMPORARY PAINT PAVEMENT MARKING
- ㉚ RELOCATE TEMPORARY CONCRETE BARRIER
- ㉛ BITUMINOUS CONCRETE BINDER COURSE, SUPERPAVE, IL-19.0, N90 11"
- ㉜ BITUMINOUS CONCRETE BINDER COURSE, SUPERPAVE, IL-19.0, N90 12"
- ㉝ POLYMERIZED BITUMINOUS CONCRETE BINDER COURSE, SUPERPAVE, IL-19.0, N105 2 1/4"
- ㉞ STEEL PLATE BEAM GUARDRAIL, TYPE A
- ㉟ SUB-BASE GRANULAR MATERIAL 6"
- ㊱ BITUMINOUS CONCRETE BINDER COURSE, SUPERPAVE, IL-19.0, N90 5"
- ㊲ SUB-BASE GRANULAR MATERIAL 10"
- ㊳ BITUMINOUS CONCRETE BINDER COURSE, SUPERPAVE, IL-19.0, N90 (VAR)

**NOTES:**

1. PAVEMENT REMOVAL ON RAMPS - COST TO INCLUDE PIPE UNDERDRAIN REMOVAL.
2. THE COURSE AGGREGATE FILL (CA 16) TO SUB-GRADE NOTED IN STANDARD 606301 SHALL BE INCLUDED IN THE COST PER SQ. FT. FOR CONCRETE MEDIAN SURFACE, 4 INCH.
3. UNDERDRAINS LOCATED UNDER THE MEDIAN SHALL BE OUTLETED AT THE INLET LOCATED AT STA. 14+50.

| REVISIONS |      |
|-----------|------|
| NAME      | DATE |
|           |      |
|           |      |
|           |      |
|           |      |
|           |      |
|           |      |
|           |      |
|           |      |
|           |      |
|           |      |

ILLINOIS DEPARTMENT OF TRANSPORTATION

**TYPICAL SECTIONS  
RAMPS E & EE**

SCALE: VERT. NO SCALE  
HORIZ. DATE

DRAWN BY CNH  
CHECKED BY

PLOT DATE = 11/20/2006  
FILE NAME = c:\projects\98950\1413\1413.dwg  
PLOT SCALE = 1/8" = 1'-0"  
USER NAME = hudson