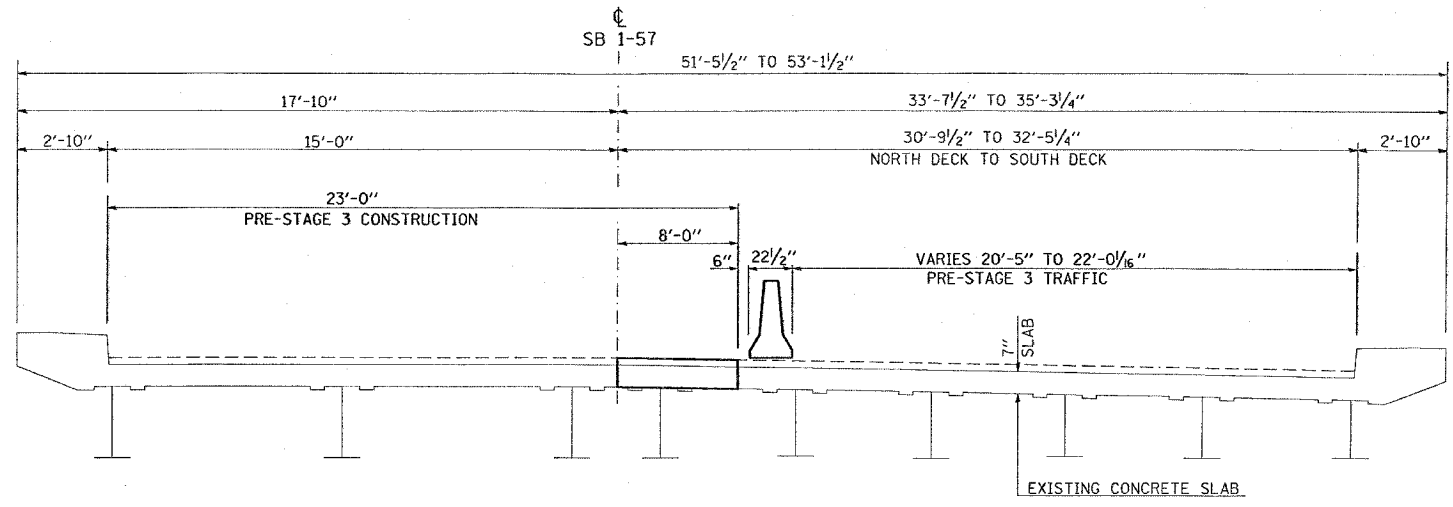


F.A. RTE.	SECTION	COUNTY	TOTAL SHEETS	SHEET NO.
*	**	WILLIAMSON	917	99
STA.		TO STA.		
FED. ROAD DIST. NO.		ILLINOIS	FED. AID PROJECT	
* I-57, & OLD IL 13 (FAU 9629)				
* * (X1-6-2)VB-2,(X1-6)HBK-2				

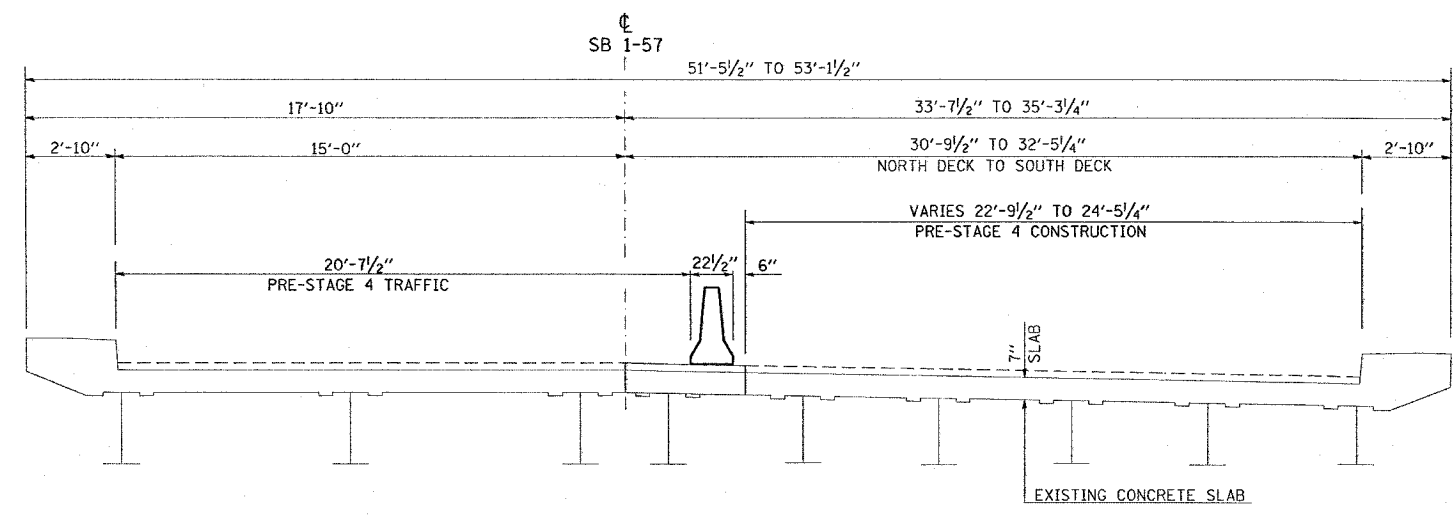
STAGING TYPICAL SECTIONS - 100-0005



PRE-STAGE 3 - TYPICAL SECTION
100-0005
 (LOOKING SOUTH)

TO BE USED:

BK. ABUT. STA. 1529+13.64 TO BK. ABUT. STA. 1530+67.64 @ SB I-57



PRE-STAGE 4 - TYPICAL SECTION
100-0005
 (LOOKING SOUTH)

TO BE USED:

BK. ABUT. STA. 1529+13.64 TO BK. ABUT. STA. 1530+67.64 @ SB I-57

PLOT DATE = 10/16/2006
 PLOT SCALE = 5/8"=1'-0"
 USER NAME = Hendon

REVISIONS	
NAME	DATE

ILLINOIS DEPARTMENT OF TRANSPORTATION
PRE-STAGE 3 AND PRE-STAGE 4
STAGING
TYPICAL SECTIONS
SN 100-0005

SCALE: VERT. NONE
 HORIZ. DATE
 DRAWN BY CNH
 CHECKED BY