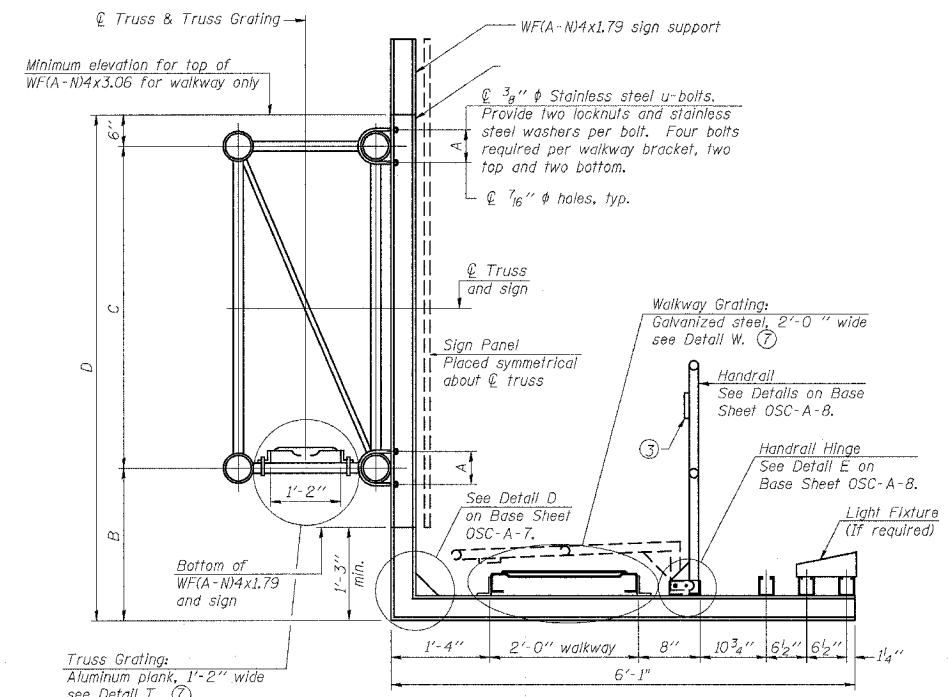
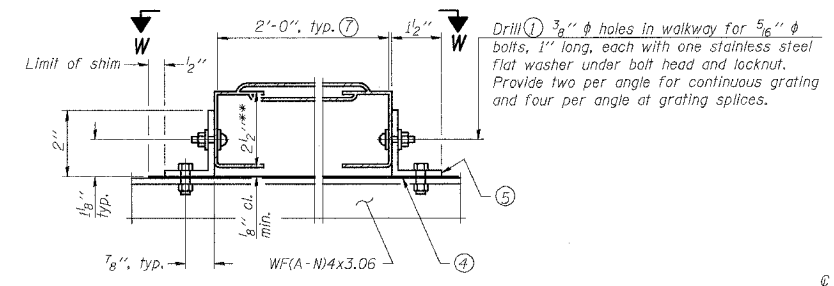


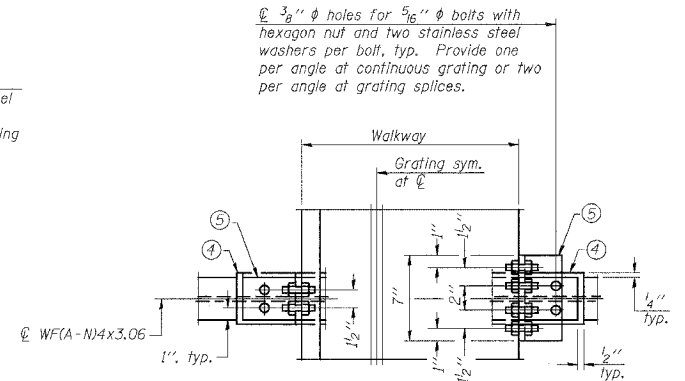
F.A. RTE.	SECTION	COUNTY	TOTAL SHEETS	SHEET NO.
*	**	WILLIAMSON	917	747
STA.		TO STA.		
FED. ROAD DIST. NO.		ILLINOIS FED. AID PROJECT		
* I-57, & OLD IL 13 (FAU 9629)				
** (X1-6-2)VB-2,(X1-6)HBK-2				



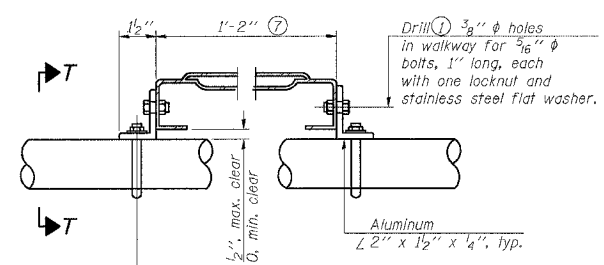
SECTION B-B



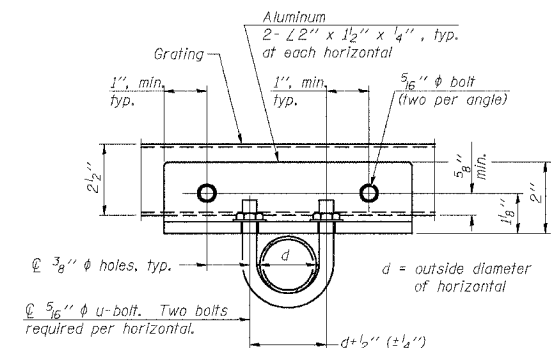
**DETAIL W
GALVANIZED STEEL WALKWAY GRATING**



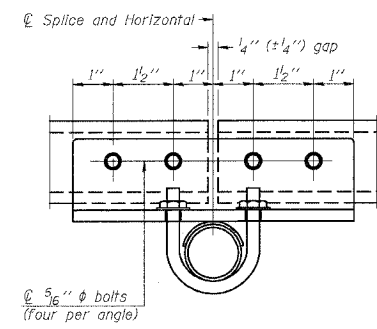
**WALKWAY GRATING CONTINUOUS AT WALKWAY GRATING SPLICE
SECTION W-W**



**DETAIL I
(Truss Grating at Horizontal)**



**SECTION T-T
(Truss Grating Continuous)**



**SECTION T-T
(Truss Grating Splice)**

Details not shown same as Section T-T. Alternate splice details and locations may be used subject to the Engineer's review and approval.

- ① Drilling holes in grating may be done in shop or field, based on Contractor's preference and subject to accurate alignment.
- ② When truss grating must be spliced, use suggested details or other methods in accord with grating manufacturer's recommendation and subject to the Engineer's review and approval.
- ③ 1/2" x 1/2" x 2" welded to handrail posts to protect locations that contact grating.
- ④ 1/8" (or 16 ga.) x 2 1/2" x 4" stainless steel shim adhered to top of WFA-N4x3.06 beneath each galvanized angle, typ. Adhesives for shims shall be suitable for materials joined and full exposure conditions.
- ⑤ Galvanized steel L2" x 1/2" x 1/4", 3 1/2" long with continuous grating 7 1/2" long at grating splice.
- ⑥ Details shown are considered equal alternatives to Aluminum Walkway Details and may be substituted by Contractor at no charge in contract cost.
- ⑦ Perforated or expanded metal grating providing a skid resistant (non-serrated) surface and capable of supporting a 500 pound concentrated load with a 6'-0" clear span. Walkway and truss grating dimensions are nominal and may vary (width ± 1/2", depth ± 1/2") based on available standard sizes. Cut ends of grating shall be free of burrs or hazardous projections and coated with zinc-rich primer or equivalent.

ALUMINUM TRUSS GRATING

Structure Number	Station	A	B	C	D
9C1001057R53.1	1515+50	7'	6'	5'-6"	12'

NUMBER	REVISION	DATE

REVISIONS	
NAME	DATE

ILLINOIS DEPARTMENT OF TRANSPORTATION
**CANTILEVER SIGN STRUCTURES
ALTERNATE WALKWAY DETAILS**
SCALE: VERT. NONE
HORIZ. DATE
DRAWN BY CNH
CHECKED BY

PLOT DATE = 12/13/2006
 FILE NAME = en:\projects\982982\ad13\ad13p6.dgn
 USER NAME = hudson