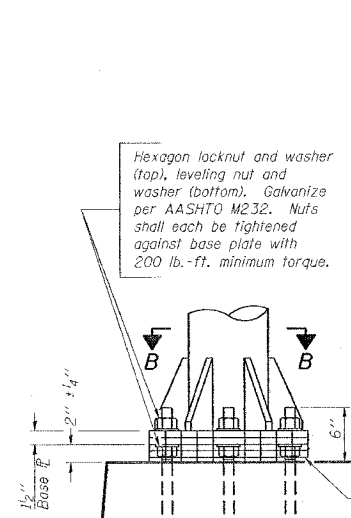


F.A. RTE.	SECTION	COUNTY	TOTAL SHEETS	SHEET NO.
*	**	WILLIAMSON	917	757

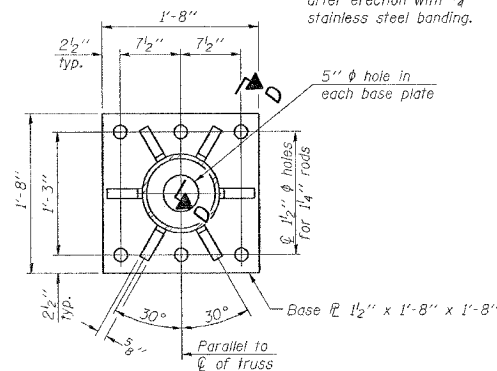
STA. TO STA.
FED. ROAD DIST. NO. ILLINOIS FED. AID PROJECT

* I-57, & OLD IL 13 (FAU 9629)
** (X1-6-2)VB-2,(X1-6)HBK-2

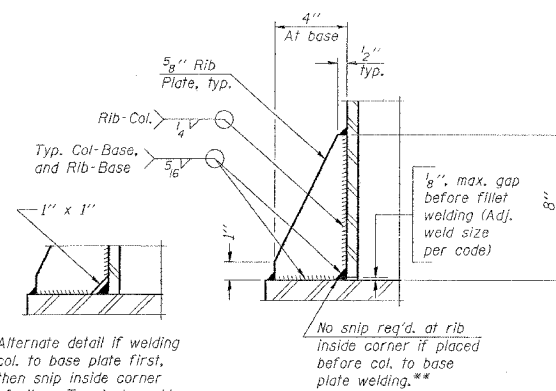


DETAIL B

Ribs shall be cut to fit slope of pipe.
Stainless Steel Standard Grade Wire Cloth, 3" wide, 1/4" maximum opening with a minimum wire diameter of AWG, No. 16 with a minimum 2" lap. Secure to base plate after erection with 3/4" stainless steel banding.

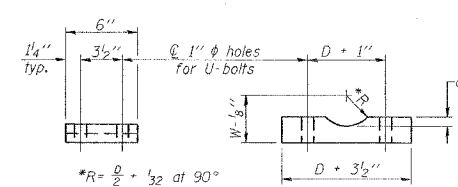


SECTION B-B



SECTION D-D

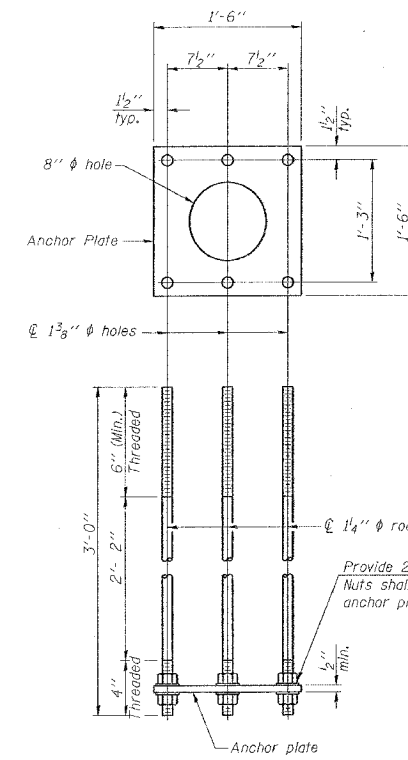
** Alternate detail if welding col. to base plate first, then snip inside corner of ribs. Terminate weld on rib 1/4" from snip.



SADDLE SHIM DETAIL

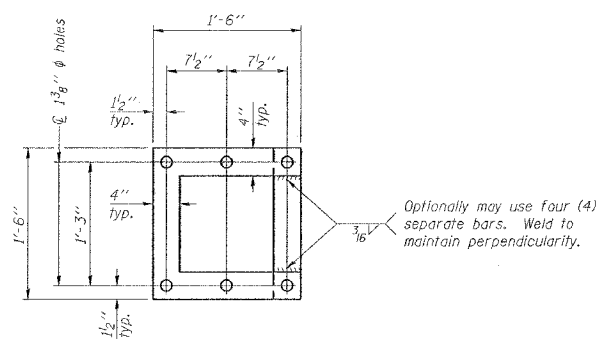
ASTM B26 Alloy 356-F
or
ASTM B209 Alloy 6061-T651
(4 required per sign truss)

Truss Chord Nominal Dia.	a
5"	3/4"
5 1/2"	7/8"
6"	1"
6 1/2"	1 1/8"
7"	1 1/4"

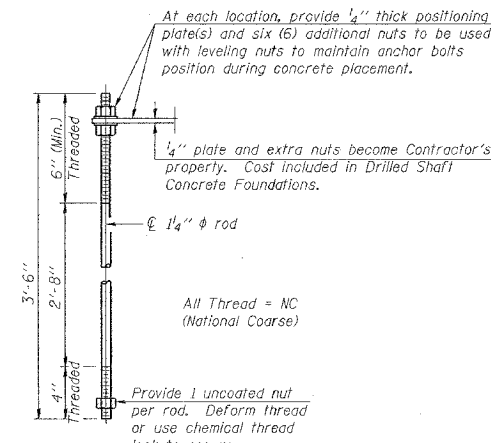


ANCHOR ROD DETAIL

Spread Footing Foundation



POSITIONING PLATE(S)

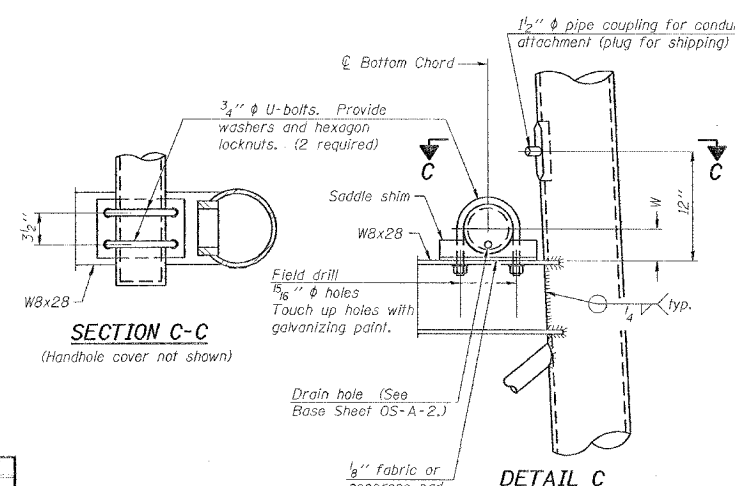


ANCHOR ROD DETAIL

Drilled Shaft Foundation

Anchor rods shall conform to AASHTO M314 Grade 36 or 50 and meet Charpy V-Notch (CVN) energy of 15 lb.-ft. at 40° F. Galvanize upper 12" per AASHTO M232. No welding shall be permitted on rods.

10" PIPE SUPPORT FRAME DETAILS



SECTION C-C

(Handhole cover not shown)

DETAIL C

NUMBER	REVISION	DATE

REVISIONS		ILLINOIS DEPARTMENT OF TRANSPORTATION
NAME	DATE	
		<p align="center">OVERHEAD SIGN STRUCTURES SUPPORT FRAME DETAILS ALUMINUM TRUSS</p> <p>SCALE: VERT. NONE HORIZ. DATE</p> <p align="right">DRAWN BY CNH CHECKED BY</p>