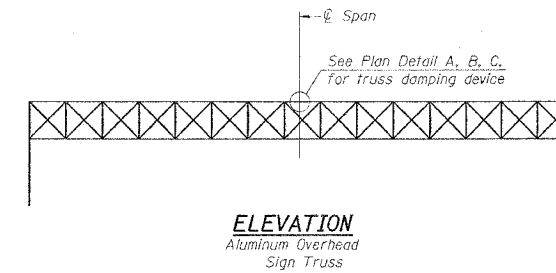
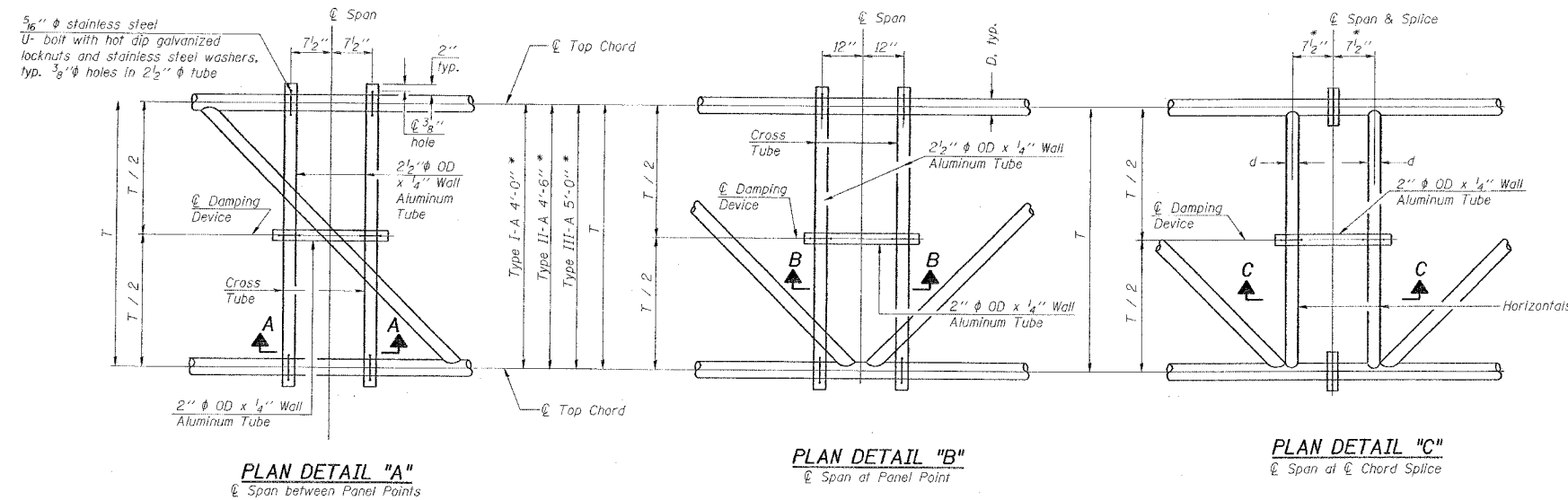
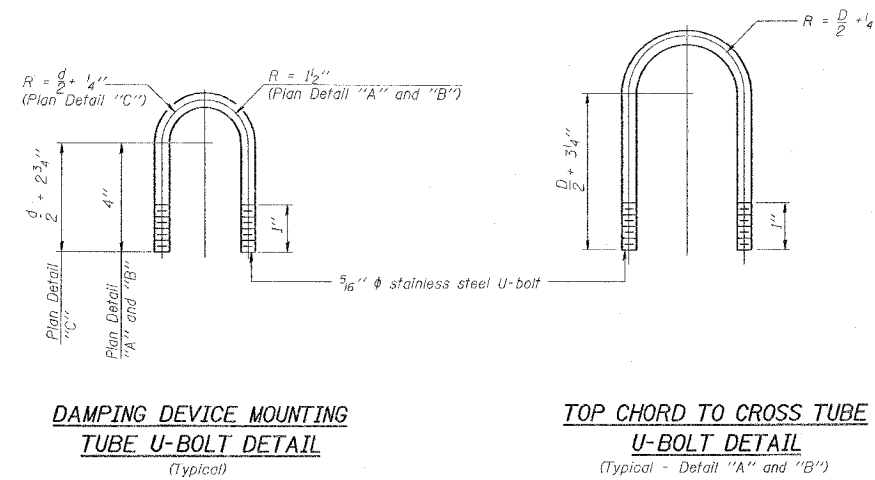
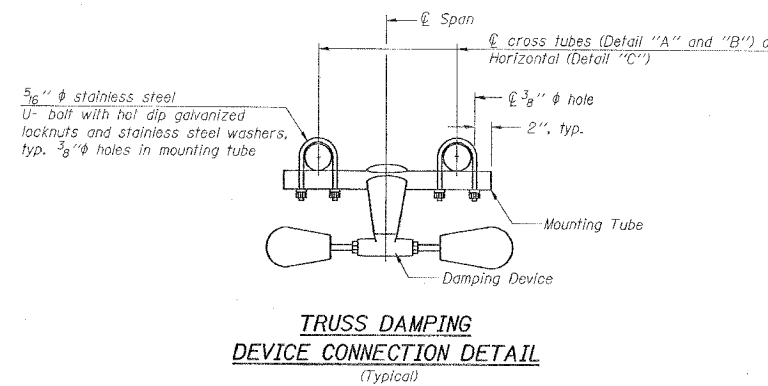
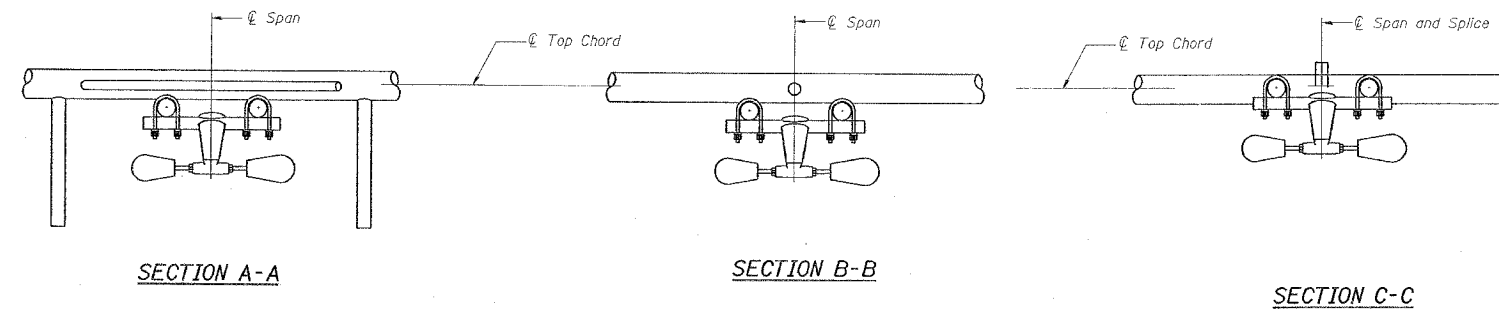


F.A. RTE.	SECTION	COUNTY	TOTAL SHEETS	SHEET NO.
*	**	WILLIAMSON	917	761
STA.		TO STA.		
FED. ROAD DIST. NO.	ILLINOIS	FED. AID PROJECT		
* I-57, & OLD IL 13 (FAU 9629)				
** (X1-6-2)VB-2,(X1-6)HBK-2				

* Center of horizontal to center of splice dimension may vary. Verify before drilling holes in mounting tube.



NOTES
 Damper: One damper per truss.
 (31 lbs. Stockbridge-Type Aluminum)
 Cost included in Overhead Sign Structure...
 Materials: Aluminum tubes shall be ASTM B221 alloy 6061 temper T6. Cost included in Overhead Sign Structure...



REVISIONS	
NAME	DATE

ILLINOIS DEPARTMENT OF TRANSPORTATION

OVERHEAD SIGN STRUCTURE DAMPING DEVICE

SCALE: VERT. NONE
HORIZ. DATE

DRAWN BY CNH
CHECKED BY