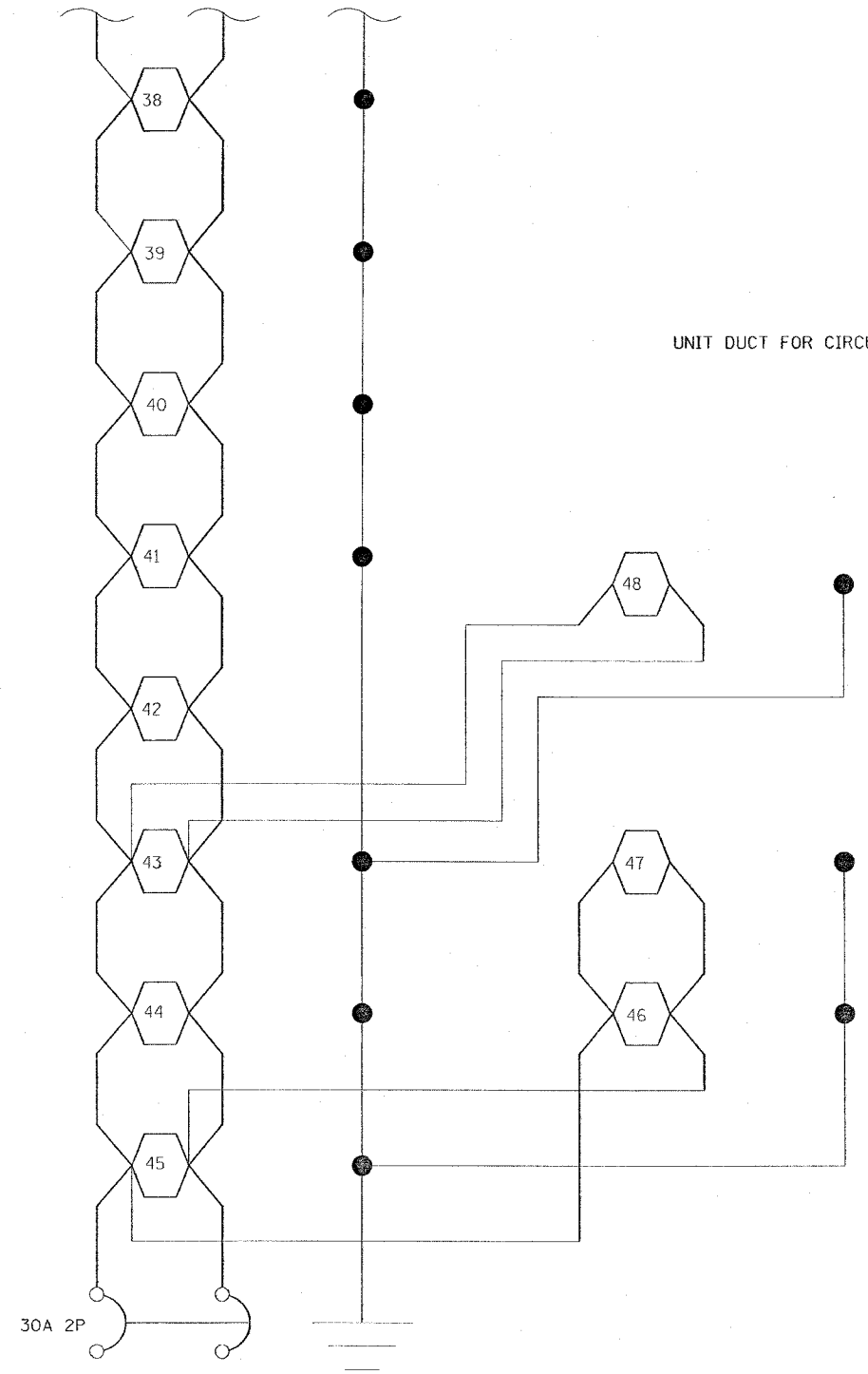
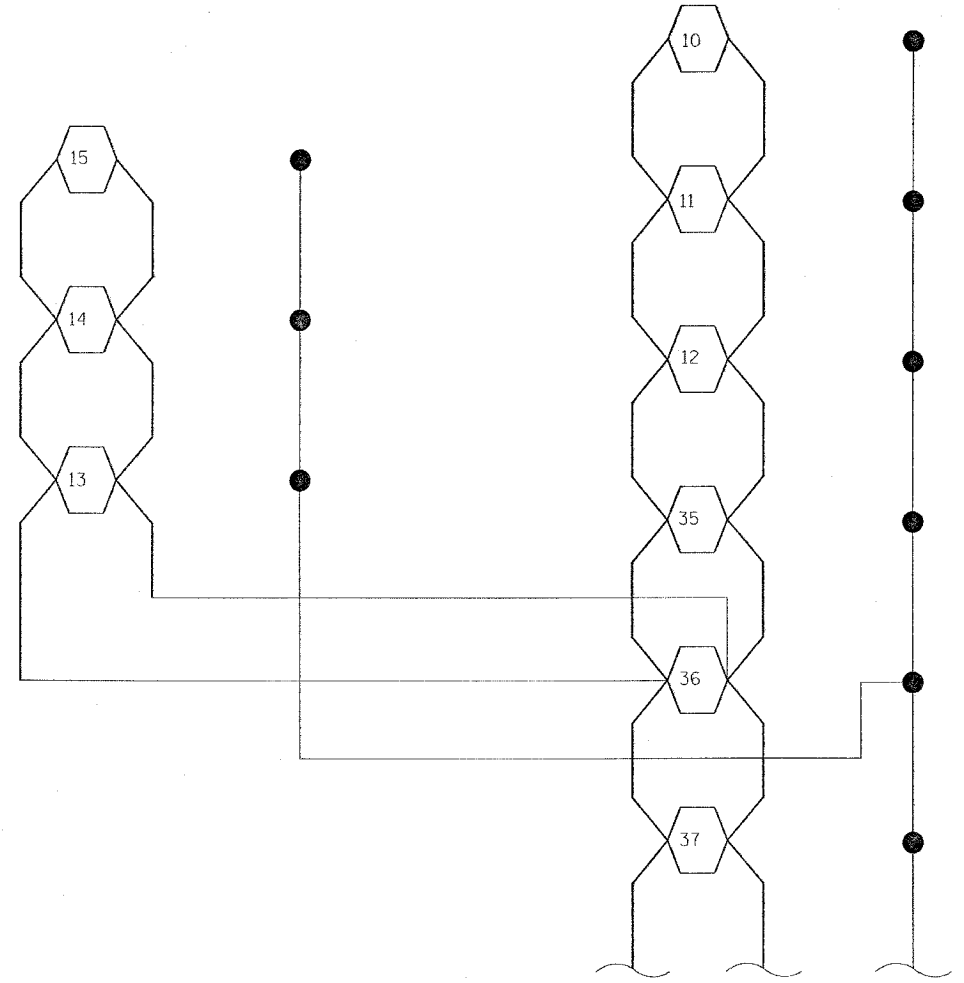


F.A. RTE.	SECTION	COUNTY	TOTAL SHEETS	SHEET NO.
*	**	WILLIAMSON	917	789
STA.		TO STA.		
FED. ROAD DIST. NO.	ILLINOIS	FED. AID PROJECT		
* I-57, & OLD IL 13 (FAU 9629)				
* (X1-6-2)VB-2,(X1-6)HBK-2				



UNIT DUCT FOR CIRCUIT "B" SHALL BE 3 \*4 IN 1" P



PLOT DATE: 10/13/2006  
 PLOT SCALE: 50.0000  
 USER NAME: hudson

REVISIONS	
NAME	DATE

ILLINOIS DEPARTMENT OF TRANSPORTATION

**CIRCUIT "B"**

SCALE: VERT. NONE  
 HORIZ. NONE

DATE: \_\_\_\_\_

DRAWN BY CNH  
 CHECKED BY LA