

ROUTE NO.	SEC.	COUNTY	TOTAL SHEETS	SHEET NO.
F.A.I. 57	*	WILLIAMSON	18	14
FED. ROAD DIST. NO. 7		ILLINOIS	PROJECT	

\* (X1-6, X1-7-1) L-1

CONTRACT NO. 98950

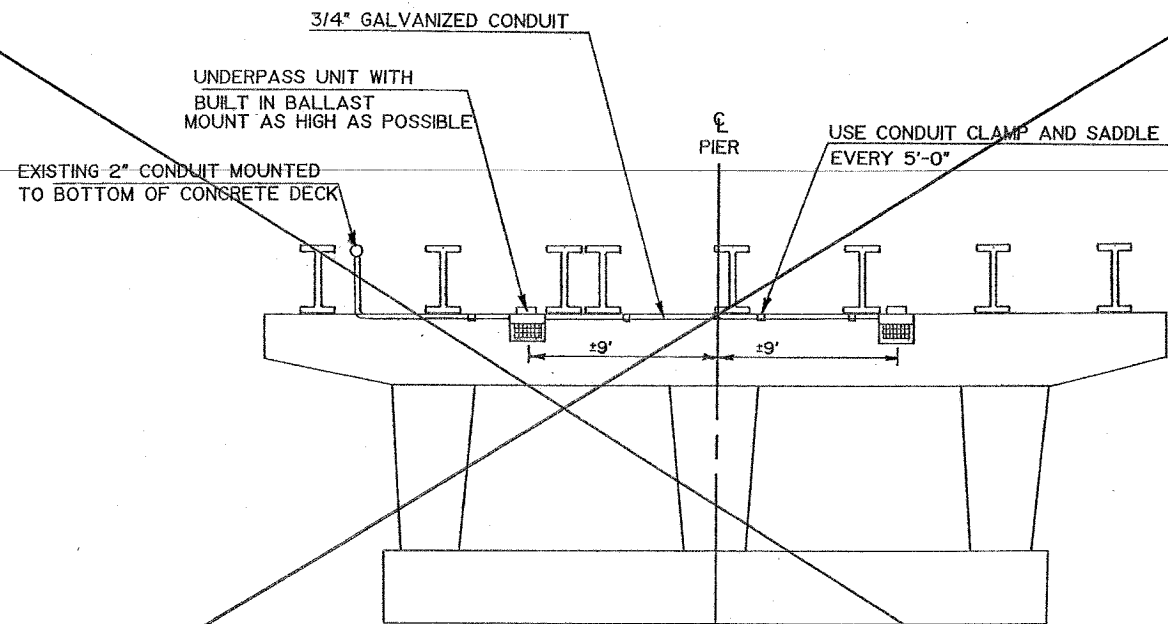
SECTION	COUNTY	TOTAL SHEETS	SHEET NO.
917	WILLIAMSON	917	790A

STA. TO STA.

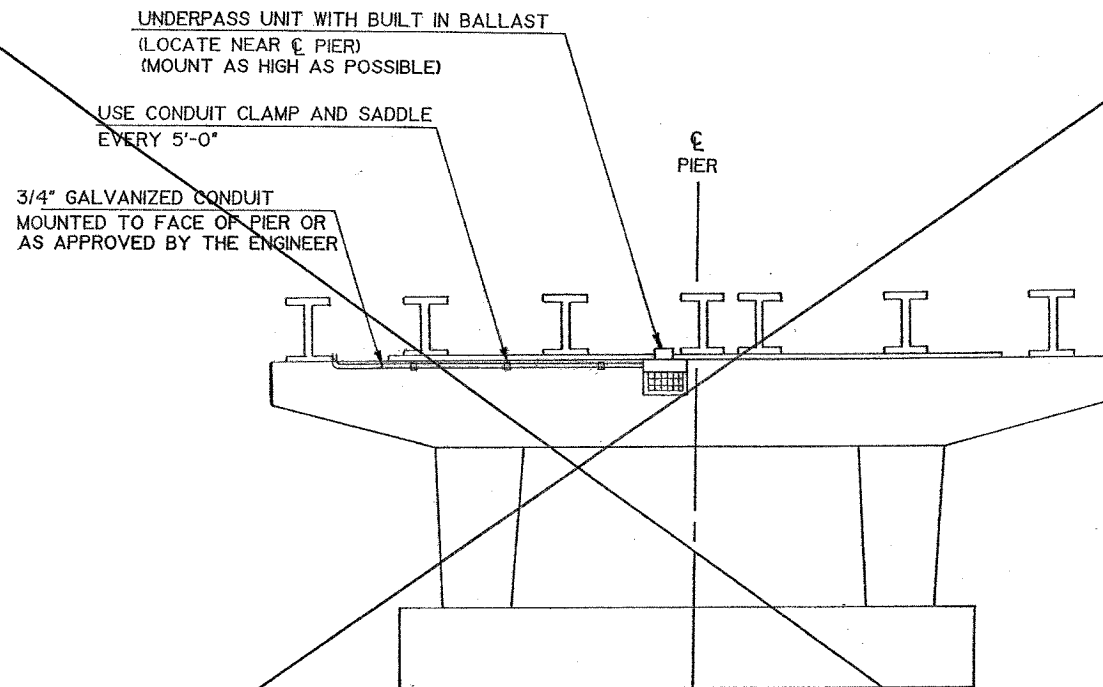
FED. ROAD DIST. NO. ILLINOIS FED. AID PROJECT

+ I-57, & OLD IL 13 (FAU 9629)

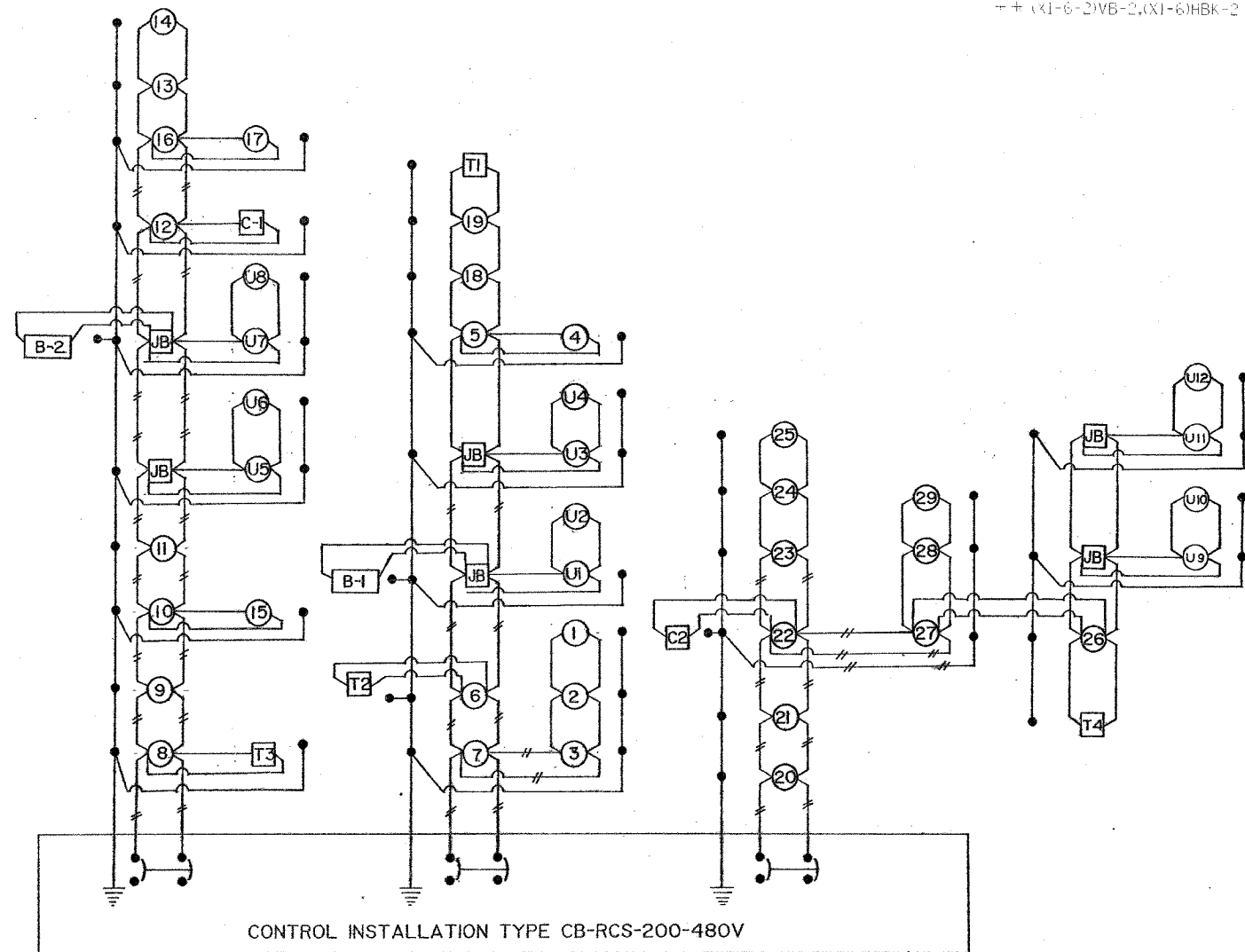
+ (X1-6-2)VB-2, (X1-6)HBK-2



TYPICAL ILLINOIS ROUTE 13 STRUCTURES  
UNDERPASS LIGHTING  
(MOUNTED ON FACE OF PIER)



TYPICAL OLD ROUTE 13 (MAIN STREET) STRUCTURES  
UNDERPASS LIGHTING  
(MOUNTED ON FACE OF PIER)



WIRING DIAGRAM  
LOCATION NO. 1

FOR INFORMATION ONLY!