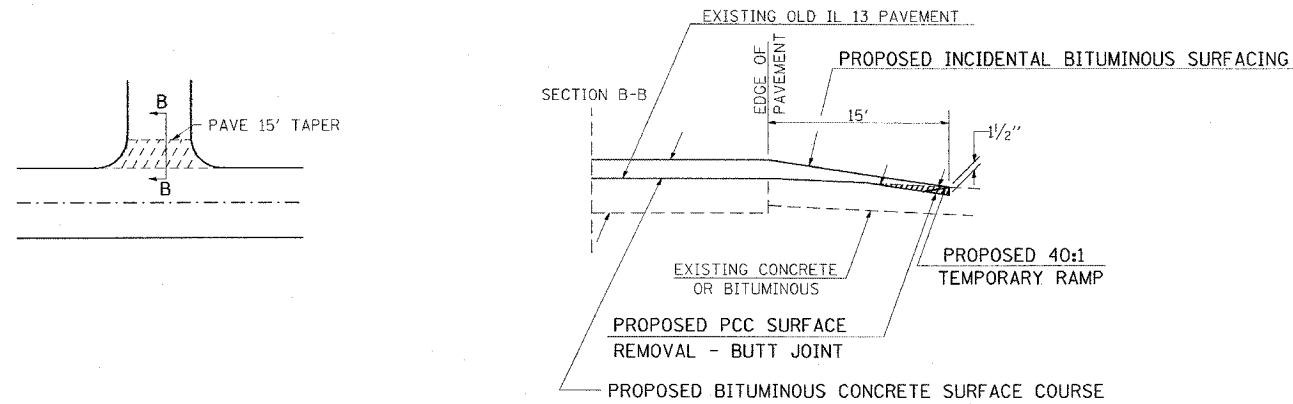


F.A. RTE.	SECTION	COUNTY	TOTAL SHEETS	SHEET NO.
*	**	WILLIAMSON	917	820
STA.		TO STA.		
FED. ROAD DIST. NO.		ILLINOIS FED. AID PROJECT		

* I-57, & OLD IL 13 (FAU 9629)
 ** (X1-6-2)VB-2,(X1-6)HKB-2

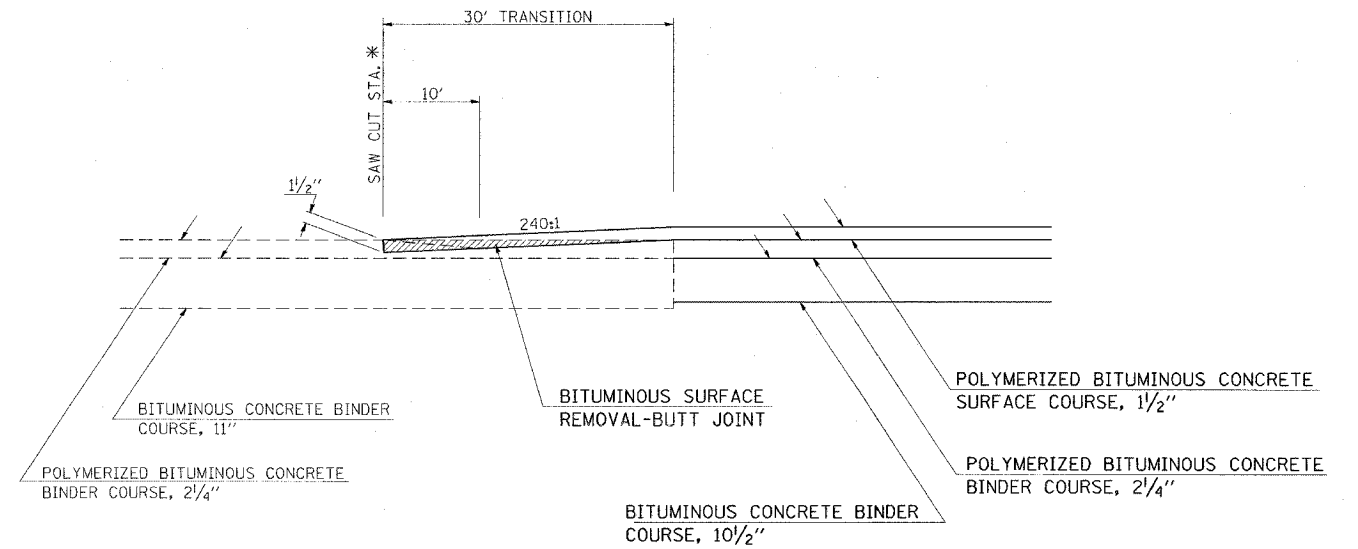
DETAIL OF PCC SIDE ROADS WITH BUTT-JOINT



TO BE USED:
 OLD IL 13

COMFORT DRIVE STA. 764+65
 COMMANDER DRIVE STA. 774+92
 7TH STREET STA. 774+96
 5TH STREET STA. 784+61

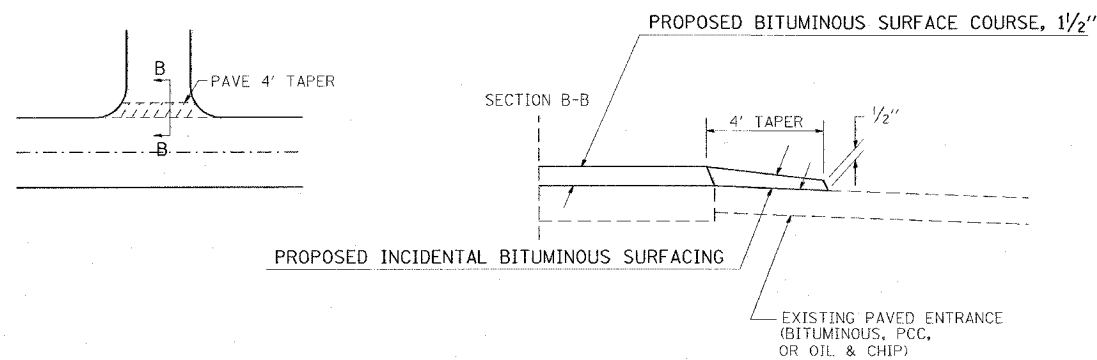
BUTT-JOINT



*** TO BE USED:**

STA. 4+70 RAMP F
 STA. 8+67 RAMP EE

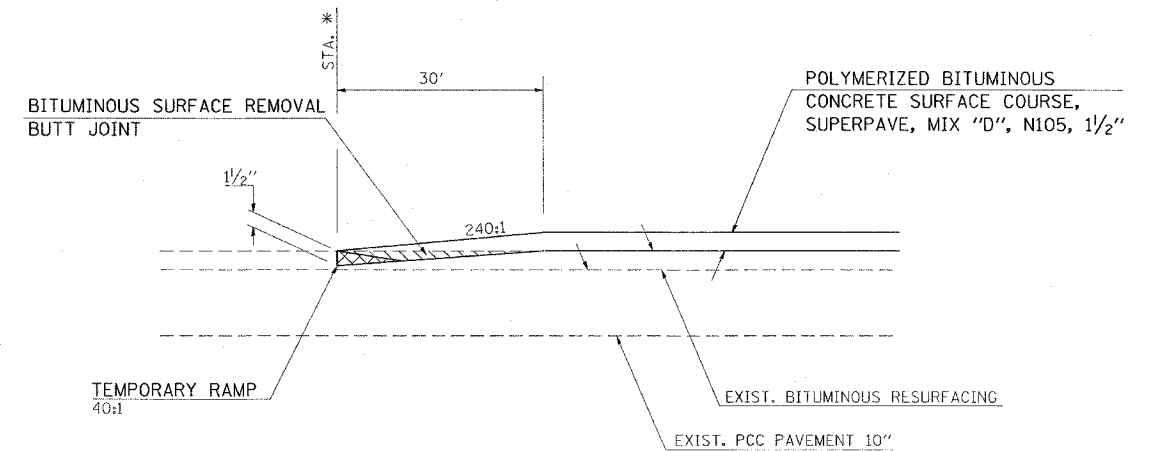
DETAIL OF BITUMINOUS, PCC, OR OIL AND CHIP PRIVATE OR COMMERCIAL ENTRANCE



TO BE USED:

PREPARATION OF EXISTING SURFACE AND ANY EXCAVATION FOR ENTRANCES SHALL BE IN ACCORDANCE WITH ARTICLE 406.19 OF THE STANDARD SPECIFICATIONS.

BUTT-JOINT



*** TO BE USED:**

STA. 753+20 (OLD IL 13)

REVISIONS	
NAME	DATE

ILLINOIS DEPARTMENT OF TRANSPORTATION

**DETAILS:
 BUTT JOINTS**

SCALE: VERT. NONE
 HORIZ. DATE

DRAWN BY CNH
 CHECKED BY