

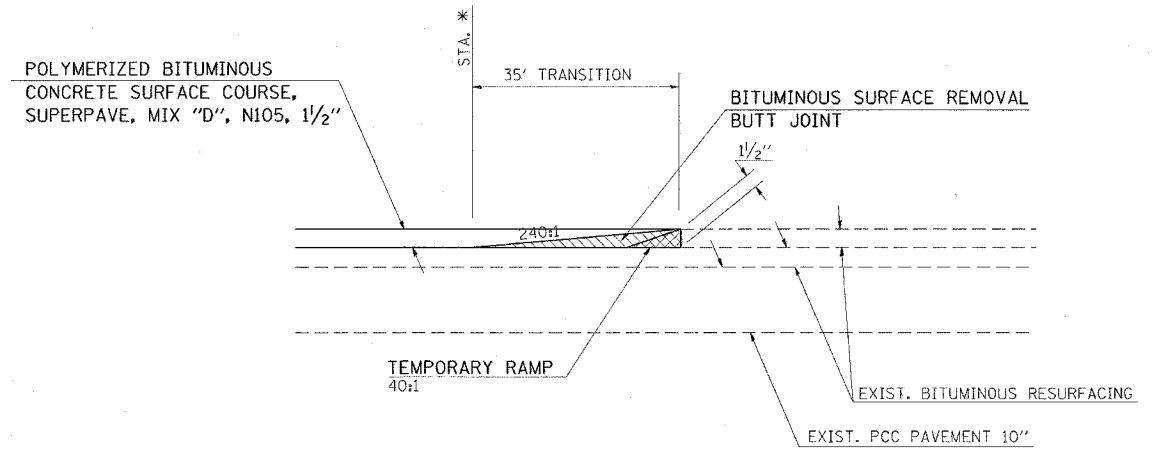
CONTRACT NO. 98950

F.A. RTE.	SECTION	COUNTY	TOTAL SHEETS	SHEET NO.
*	**	WILLIAMSON	917	820A

STA.	TO STA.
FED. ROAD DIST. NO.	ILLINOIS FED. AID PROJECT

\* I-57, & OLD IL 13 (FAU 9629)  
 \*\* (X1-6-2)VB-2,(X1-6)HKB-2

**BUTT-JOINT**



\* **TO BE USED:**  
 STA. 784+88 (OLD IL 13)

PLOT DATE = 11/20/2006  
 FILE NAME = c:\p\m\m\p\902802\cid\3\cid3a.dgn  
 PLOT SCALE = 1/8"=1'-0"  
 USER NAME = heddin

REVISIONS	
NAME	DATE

ILLINOIS DEPARTMENT OF TRANSPORTATION

**DETAIL:**  
**BUTT JOINT**

SCALE: VERT. NONE  
 HORIZ. DATE

DRAWN BY CNH  
 CHECKED BY