

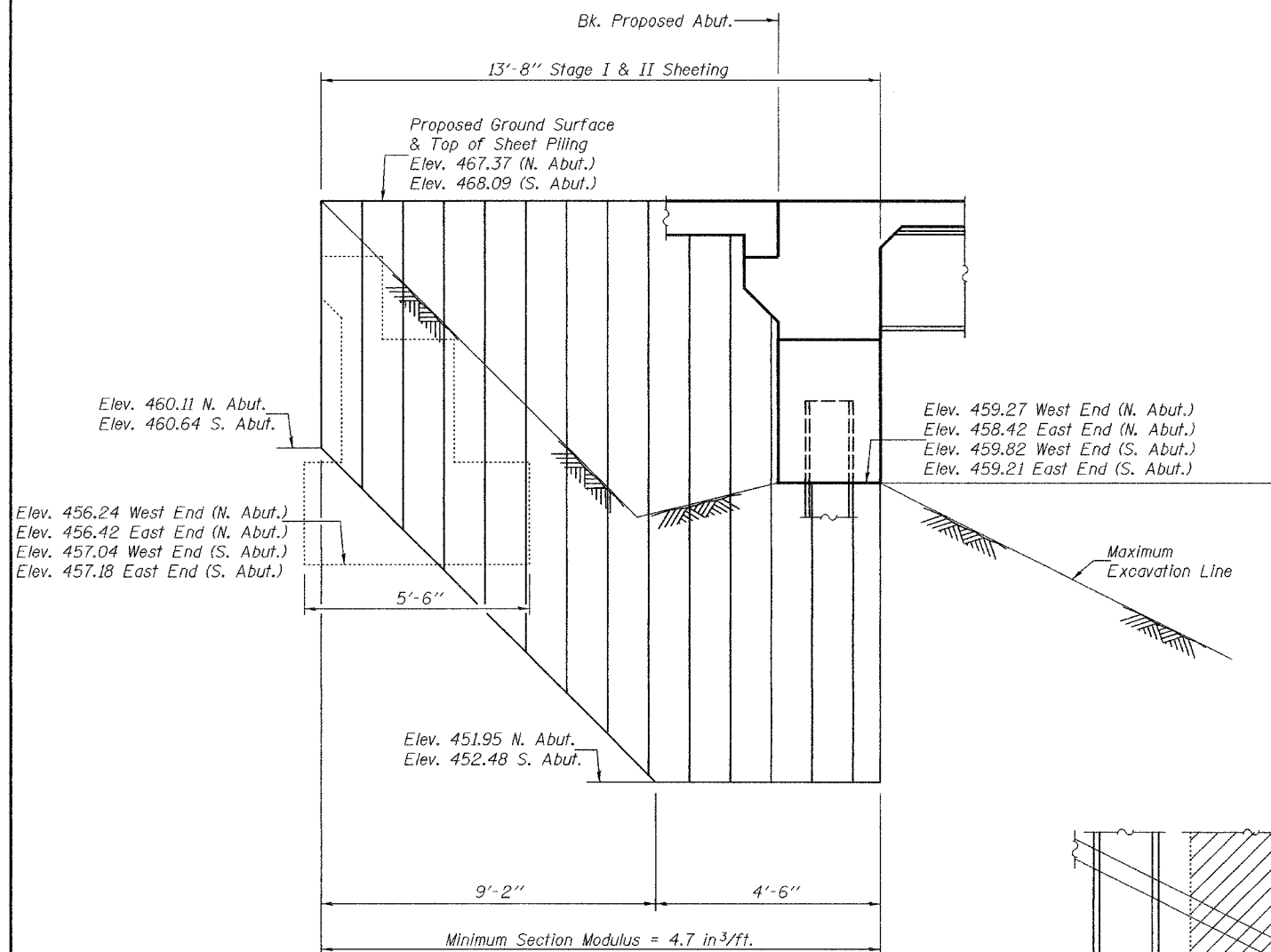
STATE OF ILLINOIS
DEPARTMENT OF TRANSPORTATION

ROUTE NO.	SECTION	COUNTY	TOTAL SHEETS	SHEET NO.
F.A.I. 57	(X1-6-2) VB-2	WILLIAMSON	917	236
FED. ROAD DIST. NO. 7		ILLINOIS	FED. AID PROJECT	

SHEET NO. 3

51 SHEETS

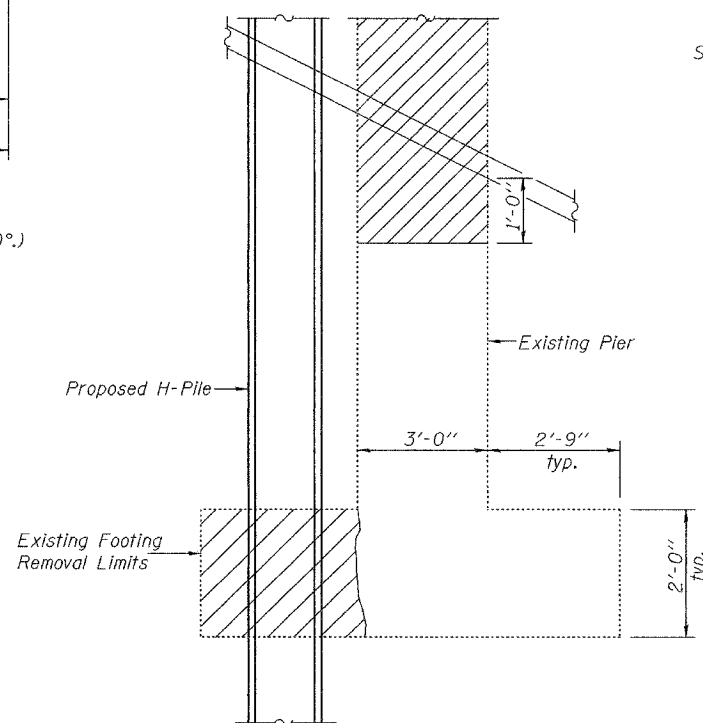
Contract #98950



TEMPORARY SHEET PILING

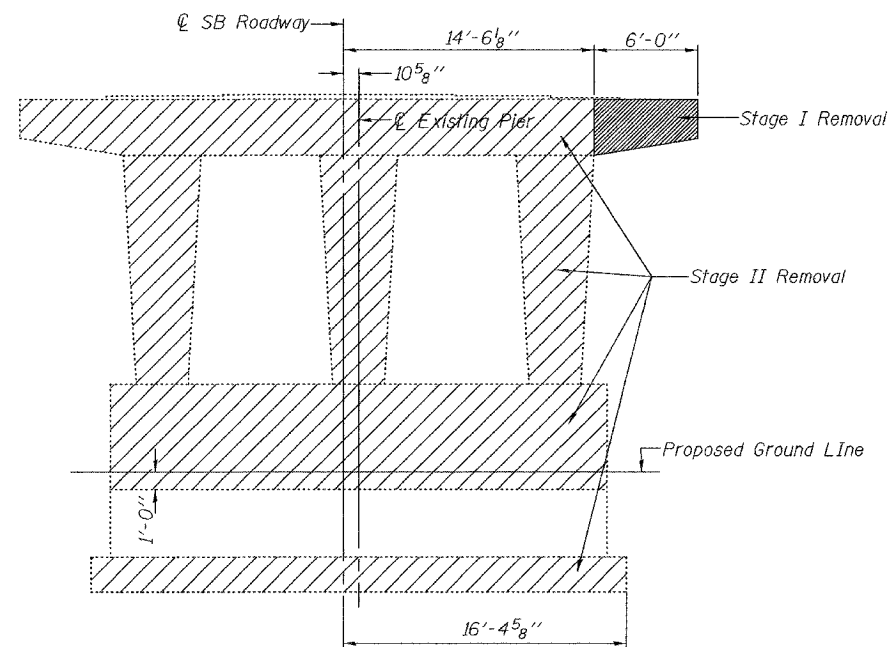
(N. Abutment locations shown, S. Abutment similar except rotated 180°.)

Note:
If the Contractor chooses to alter the temporary cantilevered sheet piling design requirements shown on the plans, a design submittal including plan details and calculations will be required for review and acceptance by the Engineer.

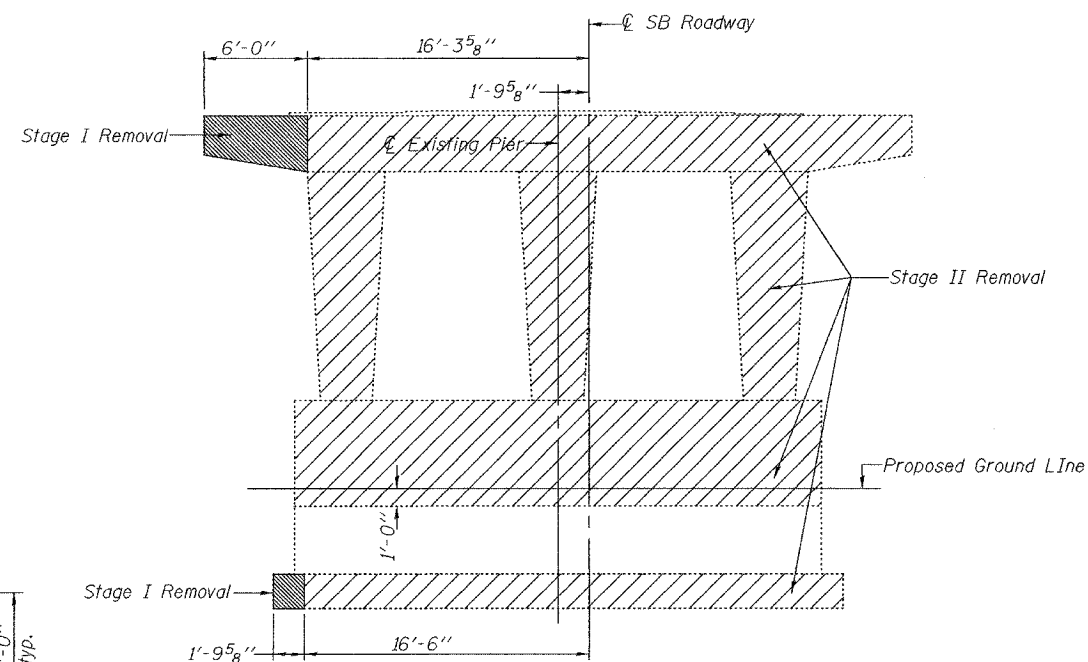


EXISTING PIER FOOTING REMOVAL DETAIL (NB & SB PIERS)

(Pier 1 locations shown, Pier 2 similar except rotated 180°.)



PIER 1
Looking South



PIER 2
Looking North

EXISTING SB PIER REMOVAL

Removal lines for Existing NB Piers at same location as NB Deck Removal lines.

STAGE CONSTRUCTION DETAILS
F.A.I. RT. 57 SEC. (X1-6-2)VB-2

WILLIAMSON COUNTY

STA. 1516+58.56

S.N. 100-0086 (N.B.)

S.N. 100-0087 (S.B.)

DESIGNED	Michael D. Clima
CHECKED	Fess Tektchaimanot
DRAWN	BECKY M. LEACH
CHECKED	M.D.C. & F.T.

EXAMINED	Thomas J. Demagalibi	January 22, 2007
PASSED	Ralph E. Anderson	