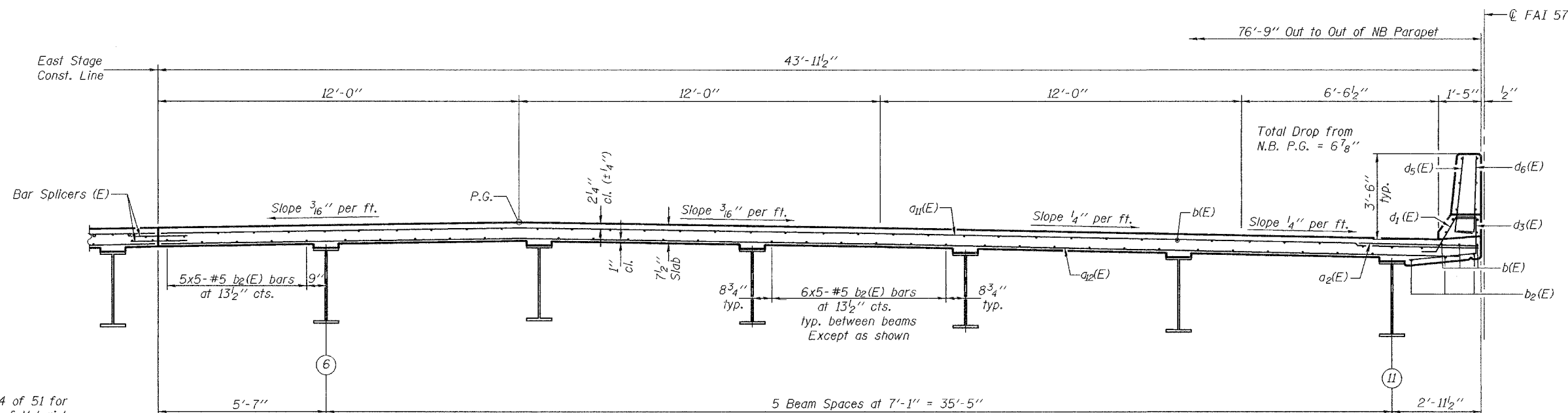


STATE OF ILLINOIS
DEPARTMENT OF TRANSPORTATION

ROUTE NO. F.A.I. 57	SECTION X1-6-2 VB-2	COUNTY WILLIAMSON	STATE 917	SHEET 850	SHEET NO. 17 51 SHEETS
FED. ROAD DIST. NO. 7		ILLINOIS		FED. AID PROJECT-	

Contract #98950

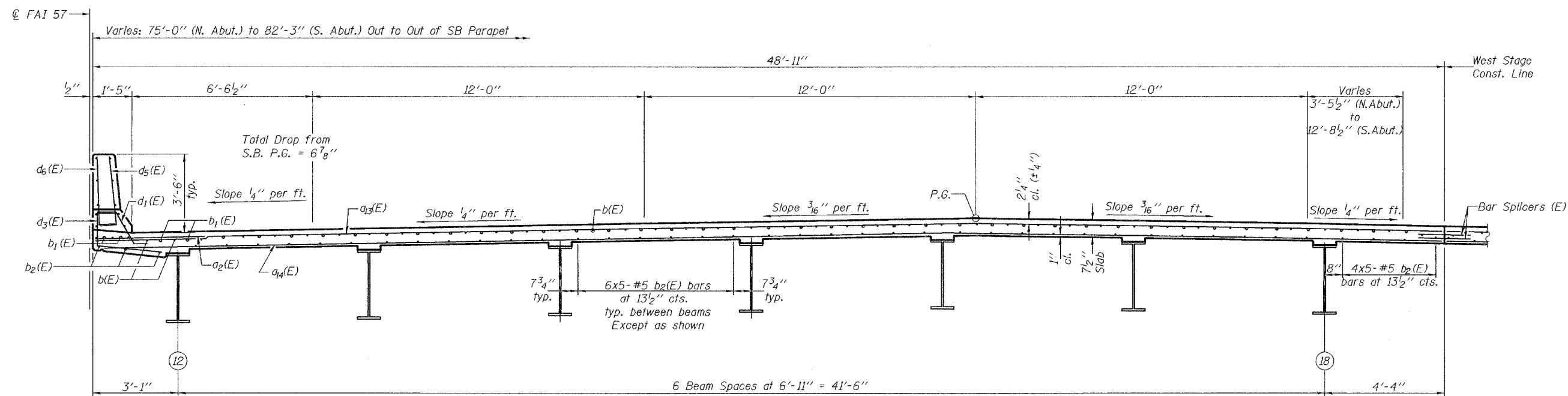


Notes:
See Sheet 14, 15, 19, and 24 of 51 for superstructure details and Bill of Material.
Bars indicated thus 6 x 5-#5 etc. indicates 6 lines of bars with 5 lengths per line.
See Sheet 18 of 51 for parapet reinforcement.
See sheet 48 of 51 for Bar Splicer Details.

NEAR MIDSPAN

CROSS SECTION - STAGE II NORTHBOUND

(Looking South)



CROSS SECTION - STAGE II SOUTHBOUND

(Looking South)

NEAR PIER

DESIGNED	Michael D. Cima
CHECKED	Fess Teklehaimanot
DRAWN	BECKY M. LEACH
CHECKED	M.D.C. & F.T.

EXAMINED	January 22, 2007
PASSED	Thomas J. Domagalicki ENGINEER OF BRIDGES AND STRUCTURES
	Ralph E. Anderson ENGINEER OF BRIDGES AND STRUCTURES

SUPERSTRUCTURE (CROSS SECTIONS)

(STAGE II-NB & STAGE II SB)

F.A.I. RT. 57 SEC. (X1-6-2)VB-2

WILLIAMSON COUNTY

STA. 1516+58.56

S.N. 100-0086 (N.B.)

S.N. 100-0087 (S.B.)