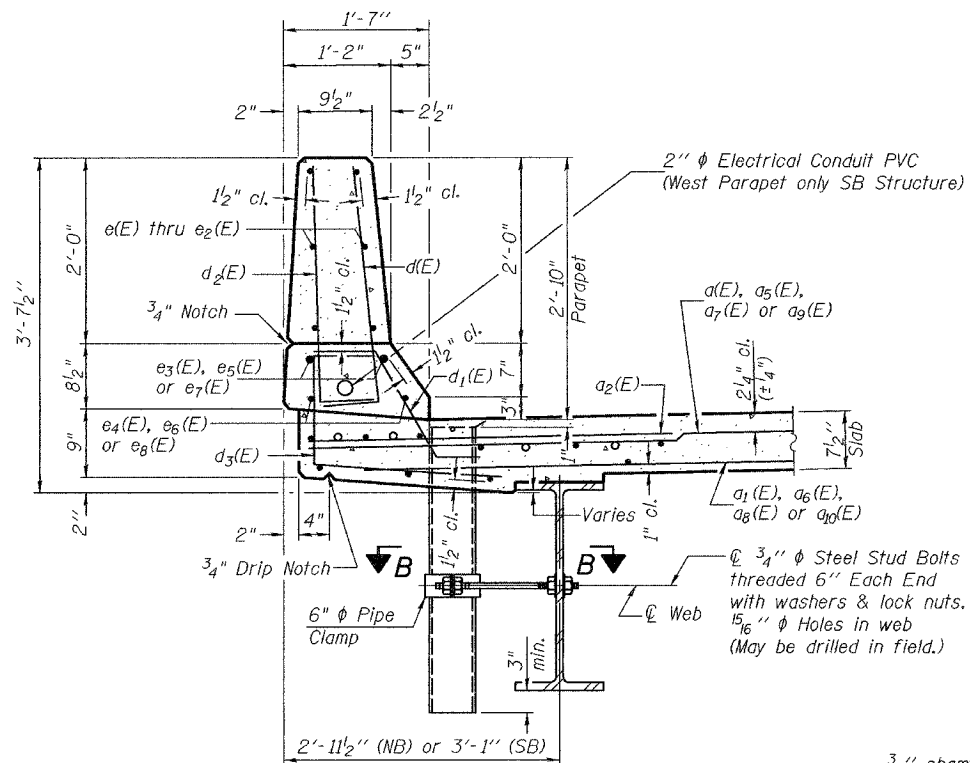


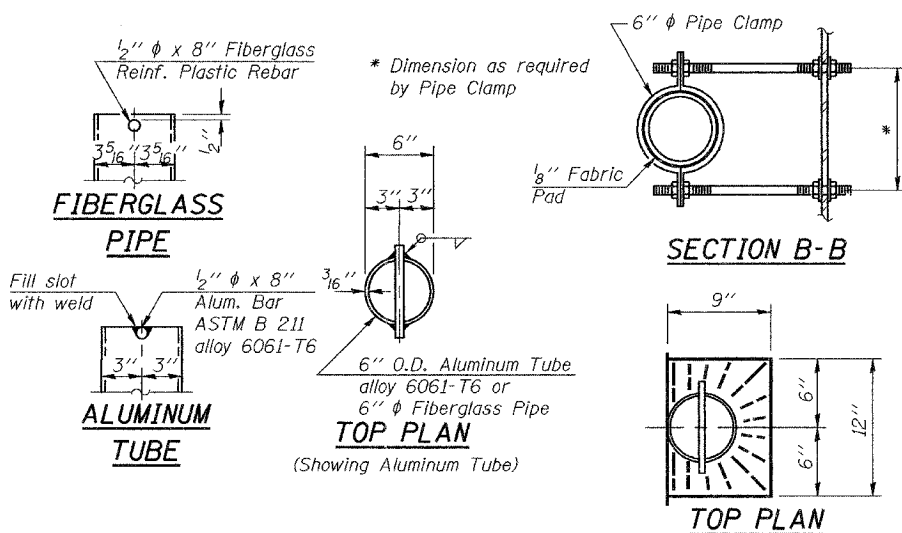
STATE OF ILLINOIS  
DEPARTMENT OF TRANSPORTATION

ROUTE NO.	SECTION	COUNTY	SHEETS	SHEET	SHEET NO. 19 51 SHEETS
F.A.I. 57	X1-6-2) VB-2	WILLIAMSON	917	352	
FED. ROAD DIST. NO. 7		ILLINOIS		FED. AID PROJECT-	

Contract #98950



SECTION THRU PARAPETS (STAGE I CONSTRUCTION)

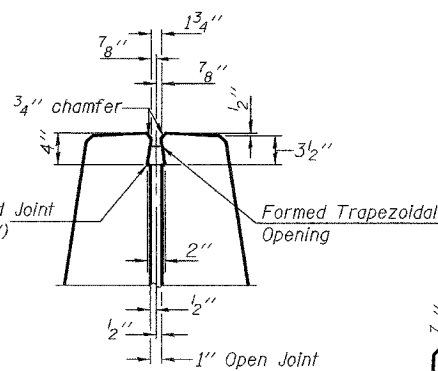


\* Dimension as required by Pipe Clamp

FIBERGLASS PIPE

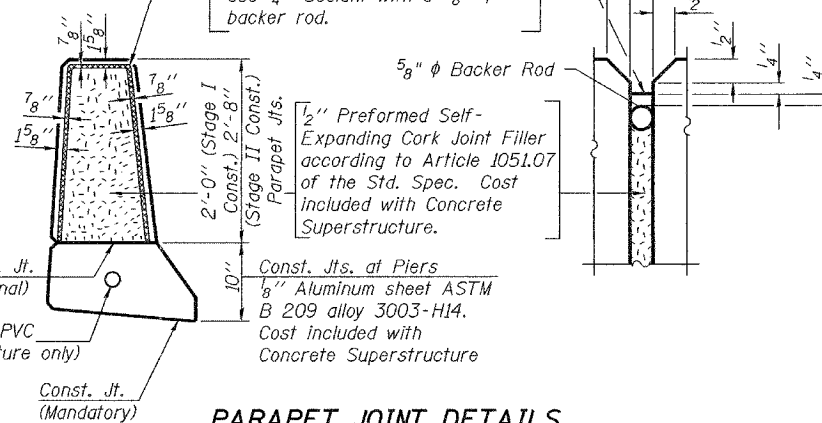
ALUMINUM TUBE

TOP PLAN  
(Showing Aluminum Tube)



DETAIL A

Non-staining gray one component polyurethane sealant meeting the requirements of ASTM C-920, Type S, Grade NS, Class 25, Use 1/4" Sealant with a 5/8" diameter backer rod.



PARAPET JOINT DETAILS

Notes:

The exterior surfaces of the floor drains shall be painted with the finish coat as specified in the special provisions for Cleaning and Painting New Metal Structures. The exterior surfaces of the drains shall be cleaned according to Steel Structures Painting Council's Spec. SSPC-SPI prior to painting. Fiberglass pipe shall conform to ASTM D 2996, with short-time rupture strength hoop tensile stress of 30,000 p.s.i. minimum.

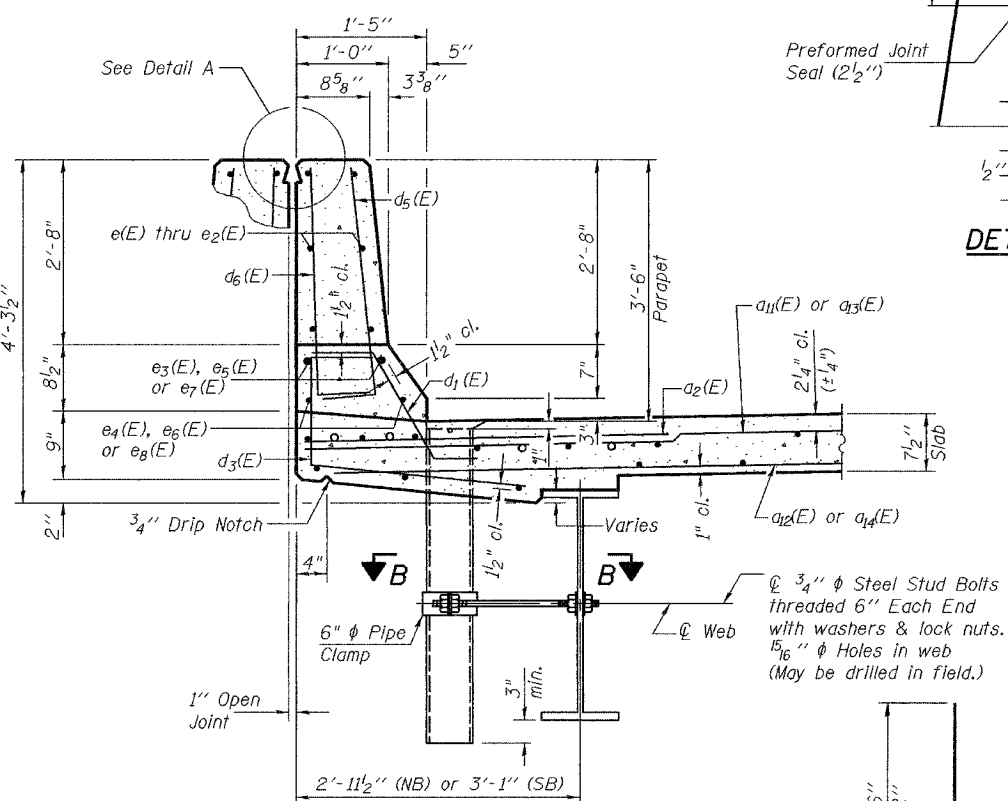
NORTHBOUND SUPERSTRUCTURE  
BILL OF MATERIAL

Bar	No.	Size	Length	Shape
a1(E)	245	#5	32'-3"	—
a1(E)	177	#5	31'-8"	—
a2(E)	490	#6	6'-0"	—
a11(E)	245	#5	43'-7"	—
a12(E)	177	#5	43'-0"	—
b(E)	316	#5	34'-5"	—
b1(E)	150	#6	30'-0"	—
b2(E)	335	#5	27'-11"	—
d(E)	145	#5	3'-0"	—
d1(E)	278	#5	2'-5"	—
d2(E)	145	#4	3'-0"	—
d3(E)	290	#4	3'-8"	—
d4(E)	12	#5	2'-4"	—
d5(E)	145	#5	3'-8"	—
d6(E)	145	#4	3'-8"	—
e(E)	48	#4	14'-0"	—
e1(E)	48	#4	7'-4"	—
e2(E)	36	#4	14'-8"	—
e3(E)	8	#8	28'-4"	—
e4(E)	8	#5	28'-4"	—
e5(E)	16	#8	7'-4"	—
e6(E)	16	#5	7'-4"	—
e7(E)	8	#8	24'-1"	—
e8(E)	8	#5	23'-2"	—
m(E)	22	#6	6'-8"	—
m1(E)	8	#6	7'-9"	—
m2(E)	28	#6	9'-10"	—
m3(E)	4	#6	2'-9"	—
m4(E)	4	#6	10'-6"	—
m5(E)	2	#6	5'-4"	—
m6(E)	20	#6	23'-3"	—
m7(E)	6	#6	32'-5"	—
m8(E)	4	#6	31'-6"	—
s(E)	154	#5	6'-3"	—
s1(E)	150	#4	8'-6"	—
v(E)	150	#5	3'-4"	—
Reinforcement Bars, Epoxy Coated		Pound		75,930
Concrete Superstructure		Cu. Yds.		318.0

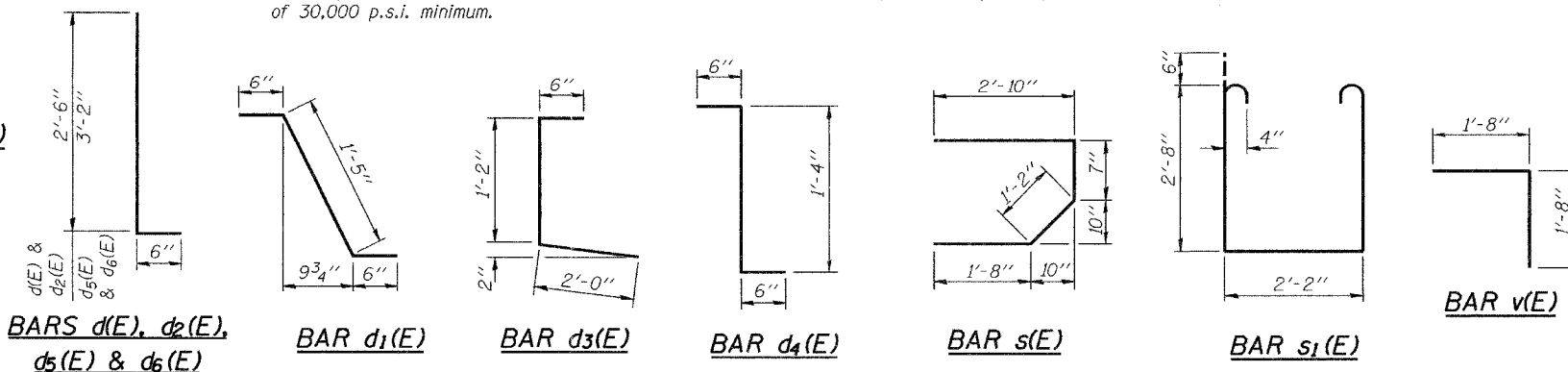
SOUTHBOUND SUPERSTRUCTURE  
BILL OF MATERIAL

Bar	No.	Size	Length	Shape
a2(E)	490	#6	6'-0"	—
a3(E)	245	#5	6'-11"	—
a4(E)	177	#5	10'-4"	—
a5(E)	82	#5	22'-11"	—
a6(E)	59	#5	22'-4"	—
a7(E)	82	#5	25'-4"	—
a8(E)	59	#5	24'-9"	—
a9(E)	81	#5	27'-9"	—
a10(E)	59	#5	27'-2"	—
a13(E)	245	#5	48'-7"	—
a14(E)	177	#5	48'-0"	—
b(E)	340	#5	34'-5"	—
b1(E)	162	#6	30'-0"	—
b2(E)	365	#5	27'-11"	—
d(E)	145	#5	3'-0"	—
d1(E)	278	#5	2'-5"	—
d2(E)	145	#4	3'-0"	—
d3(E)	290	#4	3'-8"	—
d4(E)	12	#5	2'-4"	—
d5(E)	145	#5	3'-8"	—
d6(E)	145	#4	3'-8"	—
e(E)	48	#4	14'-0"	—
e1(E)	48	#4	7'-4"	—
e2(E)	36	#4	14'-8"	—
e3(E)	8	#8	28'-4"	—
e4(E)	8	#5	28'-4"	—
e5(E)	16	#8	7'-4"	—
e6(E)	16	#5	7'-4"	—
e7(E)	8	#8	24'-1"	—
e8(E)	8	#5	23'-2"	—
m(E)	23	#6	6'-8"	—
m1(E)	10	#6	7'-9"	—
m2(E)	6	#6	9'-2"	—
m3(E)	26	#6	9'-10"	—
m4(E)	4	#6	2'-9"	—
m5(E)	5	#6	4'-2"	—
m6(E)	23	#6	25'-9"	—
m7(E)	2	#6	24'-10"	—
m8(E)	3	#6	33'-0"	—
m9(E)	2	#6	32'-1"	—
s(E)	160	#5	6'-3"	—
s1(E)	138	#4	8'-6"	—
v(E)	154	#5	3'-4"	—
Reinforcement Bars, Epoxy Coated		Pound		81,090
Concrete Superstructure		Cu. Yds.		327.6
Conduit Embedded in Structure, 2" PVC		Foot		133.0

For Bar Splicers (E) see sheet 48 of 51.



SECTION THRU PARAPETS (STAGE II CONSTRUCTION)



DESIGNED	Michael D. Cima
CHECKED	Fess Teklehaimanot
DRAWN	BECKY M. LEACH
CHECKED	M.D.C. & F.T.

EXAMINED	Thomas J. Domagalaki
PASSED	Ralph E. Anderson

January 22, 2007

SUPERSTRUCTURE DETAILS  
F.A.I. RT. 57 SEC. (X1-6-2)VB-2  
WILLIAMSON COUNTY  
STA. 1516+58.56  
S.N. 100-0086 (N.B.)  
S.N. 100-0087 (S.B.)