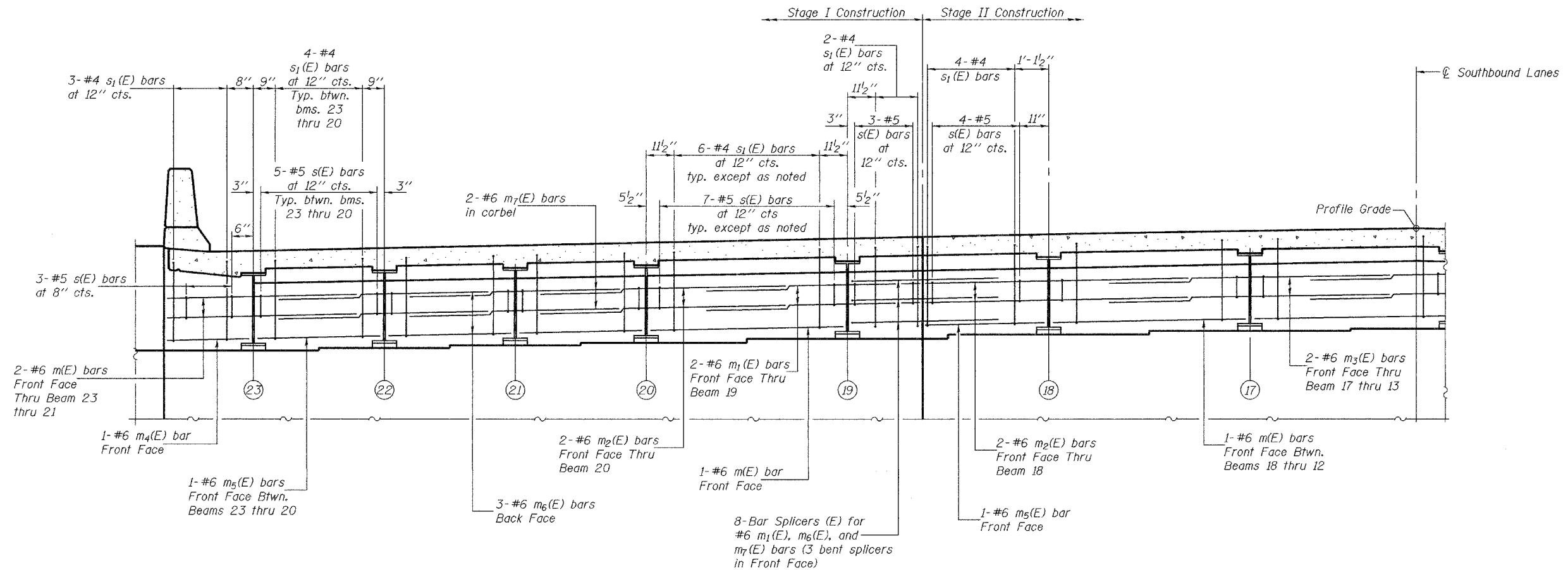


STATE OF ILLINOIS
DEPARTMENT OF TRANSPORTATION

ROUTE NO.	SECTION	COUNTY	FED. AID DIST. NO.	SHEET NO.
F.A.I. 57	(X1-6-2) VB-2	WILLIAMSON	917	853
ILLINOIS		FED. AID PROJECT		

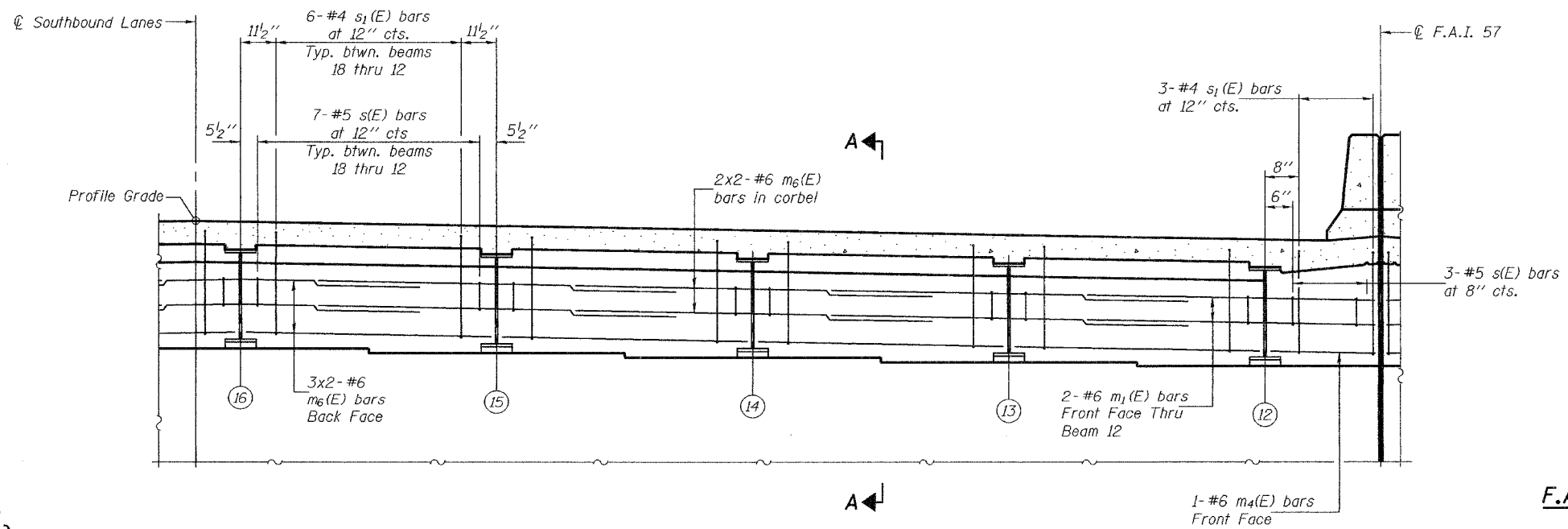
Contract #98950



MIN. BAR LAP

#6 bar = 2'-9"

Notes:
Reinforcement bars in diaphragm are billed with superstructure on sheet 19 of 51.
Concrete in diaphragm is included with Concrete Superstructure on sheet 19 of 51.
For details of bars s(E) & s₁(E) see sheet 19 of 51.
The s(E) and s₁(E) bars shall be placed parallel to the beams. Spacing for these bars shall be at right angles to the beams.
For Bar Splicer Details see sheet 48 of 51.
For Section A-A see sheet 24 of 51.
Bars indicated thus 3x2-#6 etc. indicates 3 lines of bars with 2 lengths per line.



ELEVATION

Looking North, at North Abutment, SN 100-0087 (S.B.)

DIAPHRAGM DETAILS
F.A.I. RT. 57 SEC. (X1-6-2)VB-2
WILLIAMSON COUNTY
STA. 1516+58.56
S.N. 100-0086 (N.B.)
S.N. 100-0087 (S.B.)

DESIGNED	Michael D. Cima
CHECKED	Fess Teklehaimanot
DRAWN	BECKY M. LEACH
CHECKED	M.D.C. & F.T.

EXAMINED	Thomas J. Damagalki	January 22, 2007
PASSED	Ralph E. Anderson	