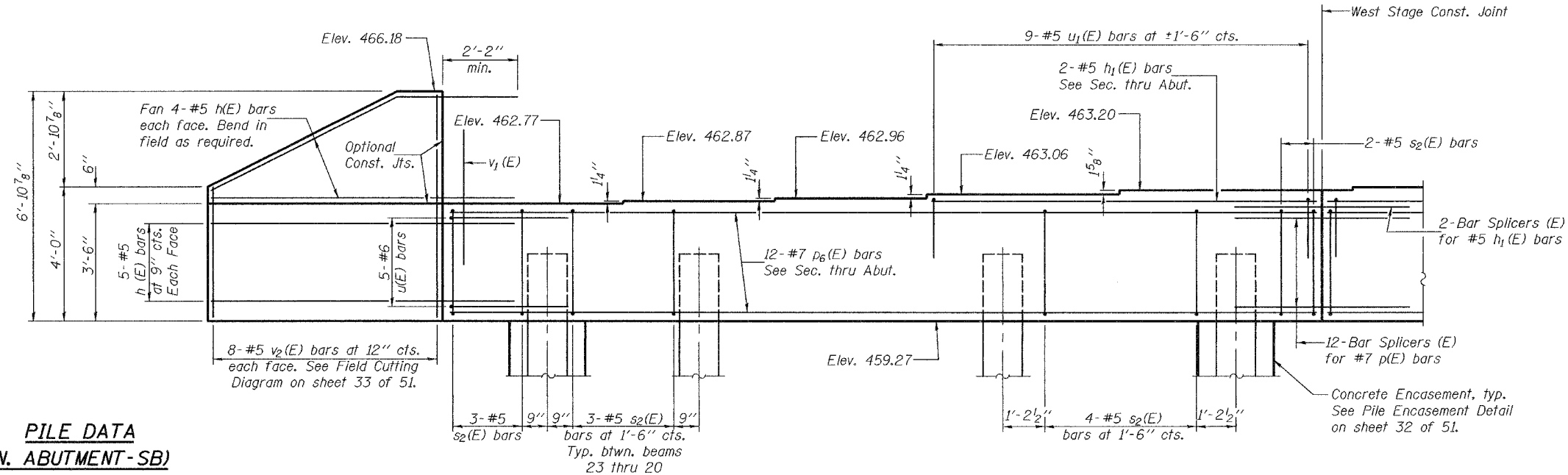


STATE OF ILLINOIS
DEPARTMENT OF TRANSPORTATION

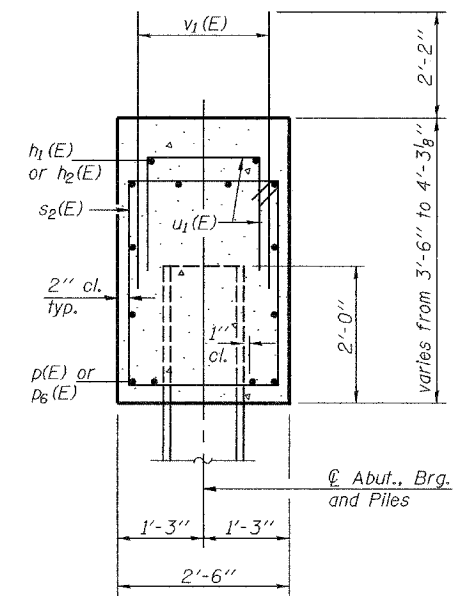
ROUTE NO.	SECTION	COUNTY	TOTAL SHEETS	SHEET NO.	SHEET NO. 31 51 SHEETS
F.A.I. 57	(X1-6-2) VB-2	WILLIAMSON	917	84	
FED. ROAD DIST. NO. 7		ILLINOIS	FED. AID PROJECT-		

Contract #98950

Notes: Four steps monolithically with cap.
Space reinforcement in cap to miss anchor bolts.
For Anchor Bolt installation details see sheet 30 of 51.
For Bar Splicer details see sheet 48 of 51.
For bar bending details and Field Cutting Diagram see sheet 33 of 51.



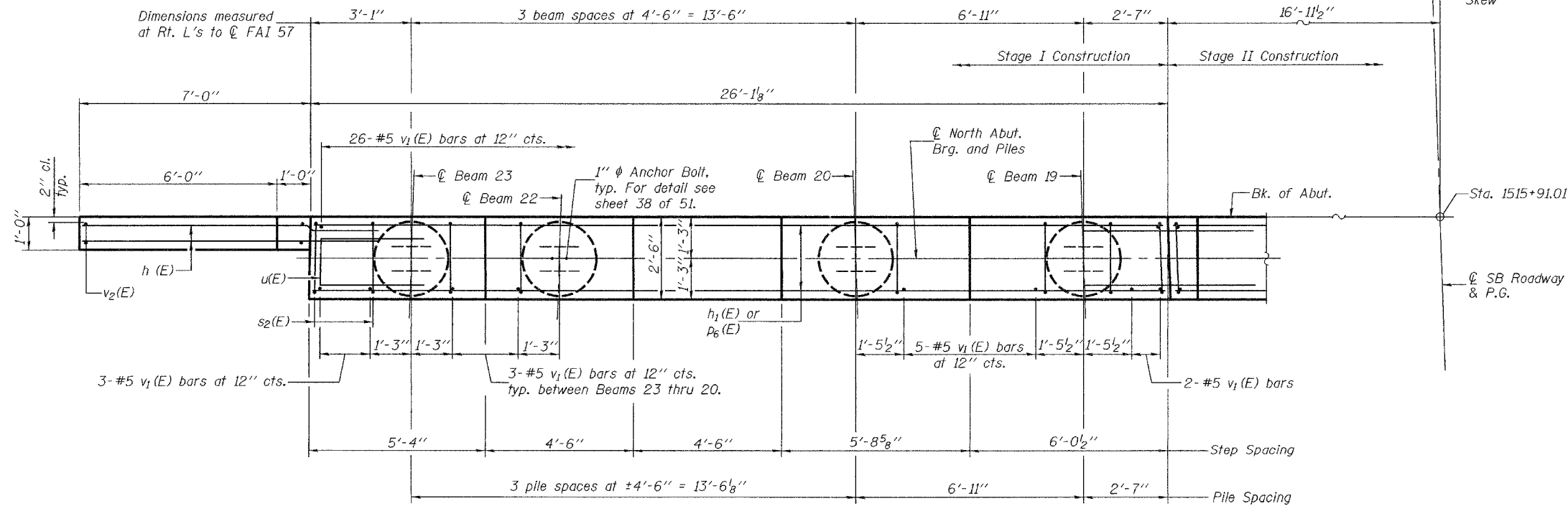
ELEVATION
(Looking North)



**SECTION THRU
NORTH ABUTMENT (SB)**

**PILE DATA
(N. ABUTMENT-SB)**

Type: HP14x73
Nominal Required Bearing: 578 kips
Factored Resistance Available: 289 kips
Est. Length: 60 feet
No. of Production Piles: 11
No. of Test Piles: 1 (Stage I Construction)



PLAN

**BILL OF MATERIAL
NORTH ABUTMENT-SN 100-0087 (S.B)**

Bar	No.	Size	Length	Shape
h(E)	18	#5	9'-5"	—
h1(E)	2	#5	11'-5"	—
h2(E)	2	#5	35'-2"	—
p(E)	24	#7	26'-10"	—
p6(E)	12	#7	25'-9"	—
s2(E)	47	#5	11'-5"	□
u(E)	10	#6	7'-2"	—
u1(E)	33	#5	6'-10"	—
v1(E)	130	#5	4'-4"	—
v2(E)	8	#5	10'-2"	—
Concrete Structures		Cu. Yd.	28.7	
Reinforcement Bars, Epoxy Coated		Pound	3800	
Structure Excavation		Cu. Yd.	169	
Furnishing Steel Piles HP14x73		Foot	660	
Driving Piles		Foot	660	
Test Pile Steel HP14x73		Each	1	
Concrete Encasement		Cu. Yd.	5.3	

**NORTH ABUTMENT (STAGE I - SB)
F.A.I. RT. 57 SEC. (X1-6-2)VB-2**

WILLIAMSON COUNTY
STA. 1516+58.56
S.N. 100-0086 (N.B.)
S.N. 100-0087 (S.B.)

DESIGNED	Michael D. Cima
CHECKED	Fess Teklehaimanot
DRAWN	BECKY M. LEACH
CHECKED	M.D.C. & F.T.

EXAMINED	Thomas J. Domagala ENGINEER OF BRIDGE DESIGN
PASSED	Ralph E. Anderson ENGINEER OF BRIDGES AND STRUCTURES

January 22, 2007