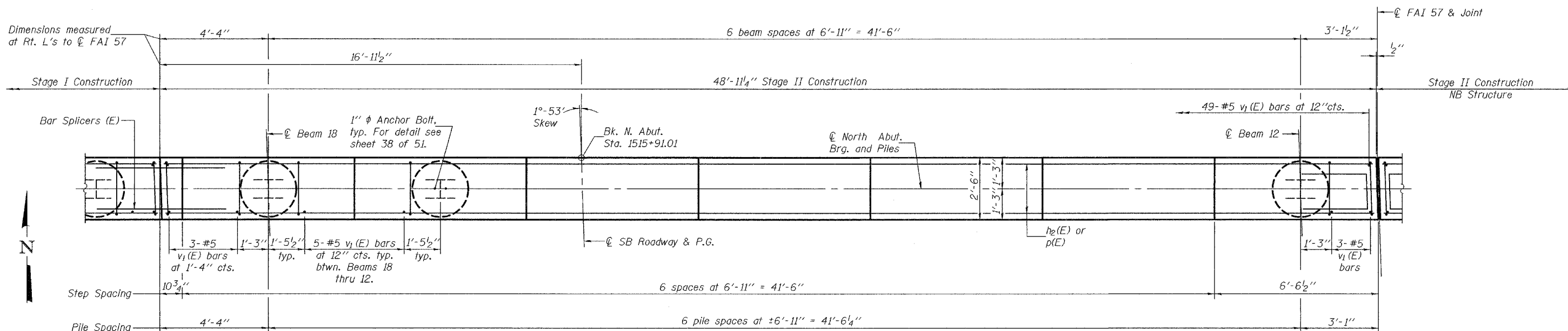
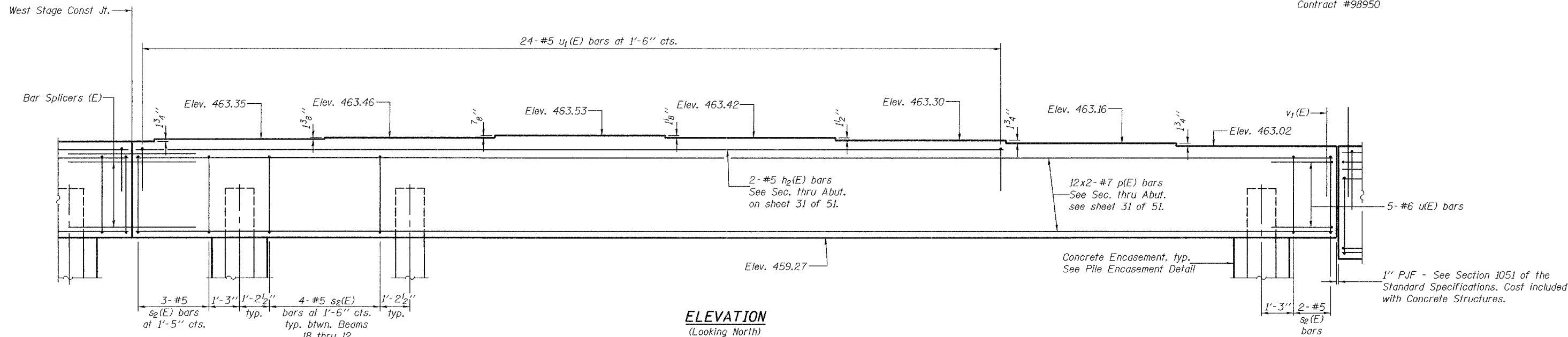


STATE OF ILLINOIS
DEPARTMENT OF TRANSPORTATION

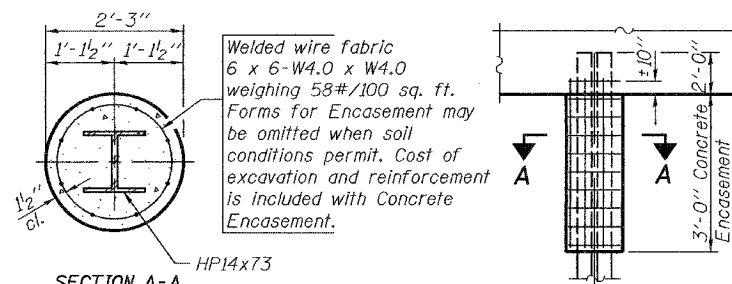
ROUTE NO.	SECTION	COUNTY	POST MILE	SHEET NO.	SHEET NO. 32 51 SHEETS
F.A.I. 57	(X1-6-2) VB-2	WILLIAMSON	917	365	
FED. ROAD DIST. NO. 7	ILLINOIS	FED. AID PROJECT-			

Contract #98950



MIN. BAR LAP
#7 bar = 4'-10"

Notes: Four steps monolithically with cap.
Space reinforcement in cap to miss anchor bolts.
For Anchor Bolt installation details see sheet 30 of 51.
For Bar Splicer details see sheet 48 of 51.
For bar bending details and Field Cutting Diagram see sheet 33 of 51.
Bars indicated thus 12x2-#7 indicates 12 lines of bars with 2 lengths per line.
For Bill of Materials see sheet 31 of 51.



NORTH ABUTMENT (STAGE II - SB)
F.A.I. RT. 57 SEC. (X1-6-2)VB-2
WILLIAMSON COUNTY
STA. 1516+58.56
S.N. 100-0086 (N.B.)
S.N. 100-0087 (S.B.)

DESIGNED	Michael D. Cima
CHECKED	Fess Teklehaimanot
DRAWN	BECKY M. LEACH
CHECKED	M.D.C. & F.T.

EXAMINED	Thomas J. Damagala	January 22, 2007
PASSED	Ralph E. Anderson	