

Notes: Pour steps monolithically with cap.
 Space reinforcement in cap to miss anchor bolts.
 For Anchor Bolt installation details see sheet 30 of 51.
 For Bar Splicer details see sheet 48 of 51.
 For Bill of Material and bar bending details see sheet 47 of 51.

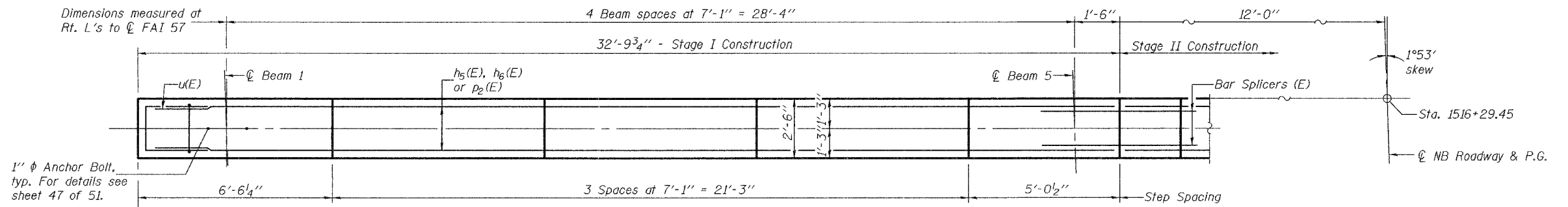
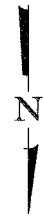
STATE OF ILLINOIS
 DEPARTMENT OF TRANSPORTATION

ROUTE NO.	SECTION	COUNTY	TOTAL SHEETS	SHEET NO.
F.A.I. 57	XI-6-2) VB-2	WILLIAMSON	917	872
FED. ROAD DIST. NO. 7		ILLINOIS	FED. AID PROJECT	

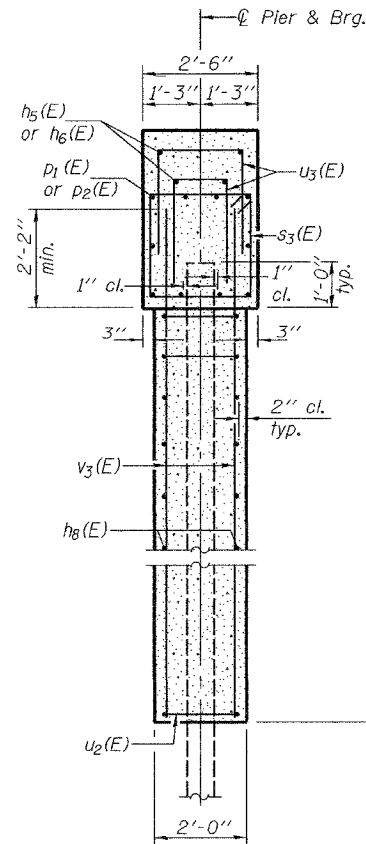
SHEET NO. 39
 51 SHEETS
 Contract #98950

PILE DATA
(PIER 1 - NB)

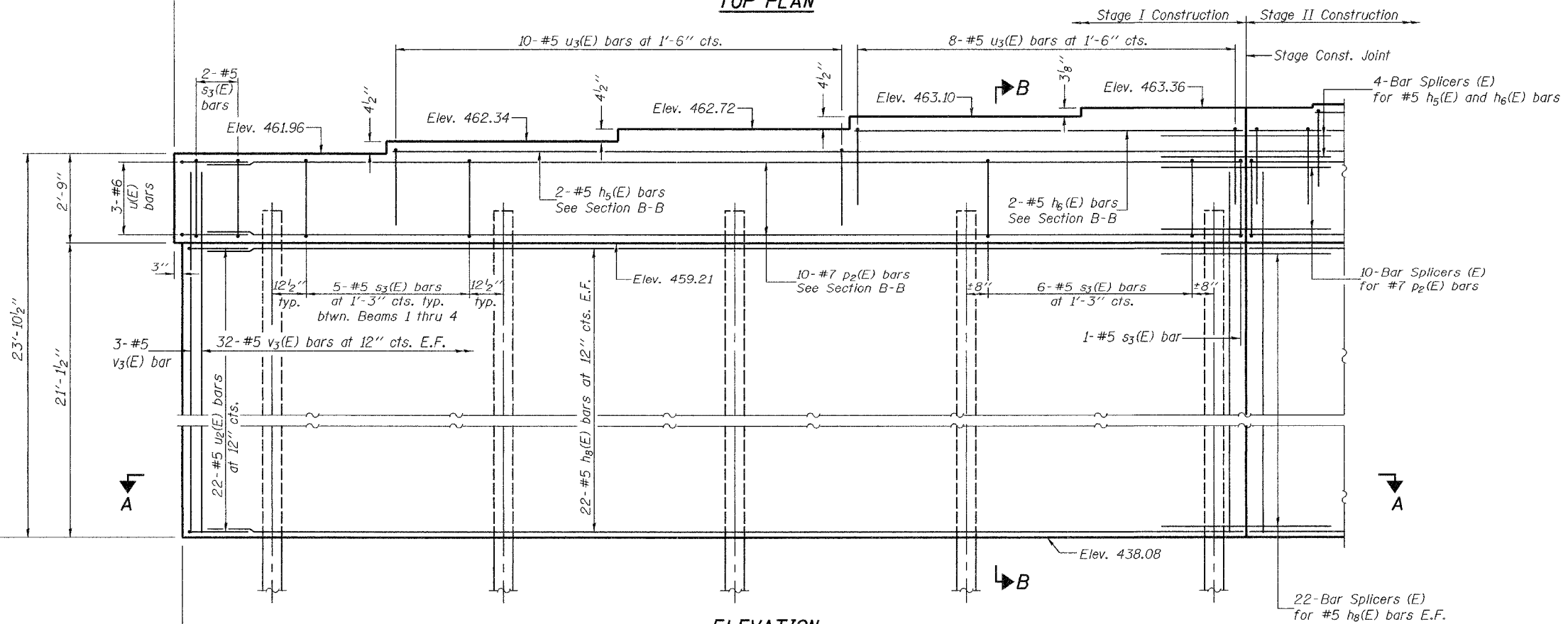
Type: HP14x73
 Nominal Required Bearing: 578 kips
 Factored Resistance Available: 289 kips
 Est. Length: 60 feet
 No. of Production Piles: 10
 No. of Test Piles: 1 (Stage I Construction)



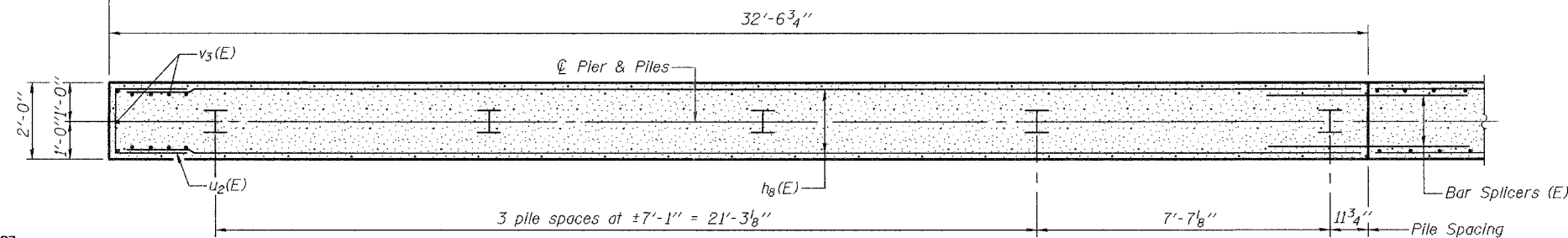
TOP PLAN



SECTION B-B



ELEVATION
 (Looking South)



SECTION A-A

DESIGNED	Michael D. Cima
CHECKED	Fess Teklehaimanot
DRAWN	BECKY M. LEACH
CHECKED	M.D.C. & F.T.

January 22, 2007
 EXAMINED *Thomas J. Domagalicki*
 ENGINEER OF BRIDGE DESIGN
 PASSED *Ralph E. Anderson*
 ENGINEER OF BRIDGES AND STRUCTURES

PIER 1 (STAGE I - NB)
F.A.I. RT. 57 SEC. (XI-6-2)VB-2
WILLIAMSON COUNTY
STA. 1516+58.56
S.N. 100-0086 (N.B.)
S.N. 100-0087 (S.B.)