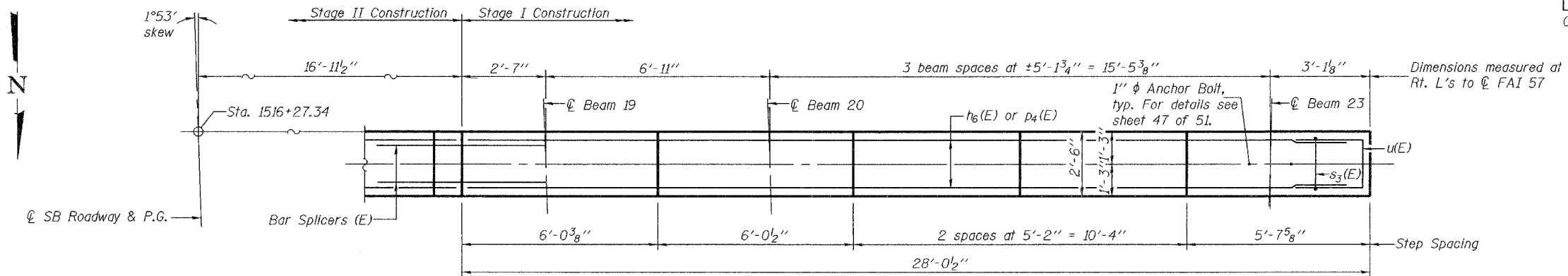


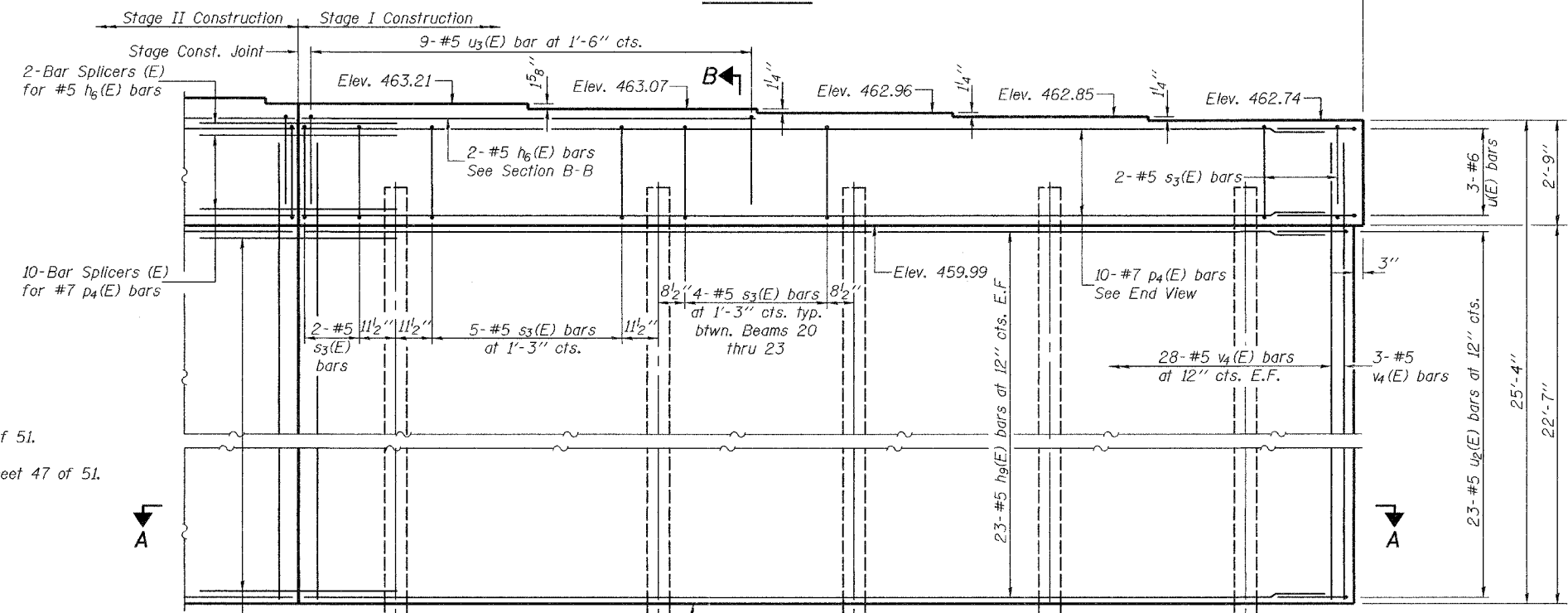
STATE OF ILLINOIS
DEPARTMENT OF TRANSPORTATION

ROUTE NO.	SECTION	COUNTY	TOTAL SHEETS	SHEET NO.	SHEET NO. 42 51 SHEETS
F.A.I. 57	(X1-6-2) VB-2	WILLIAMSON	917	875	
FED. ROAD DIST. NO. 7		ILLINOIS	FED. AID PROJECT-		

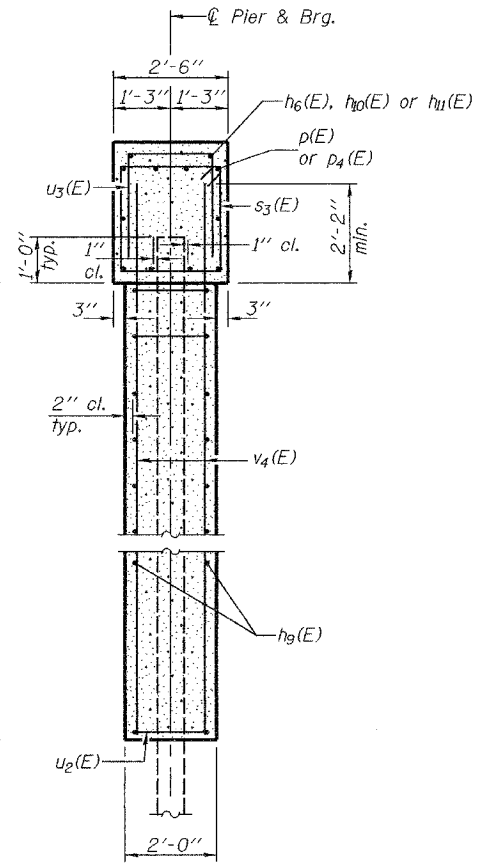
Contract #98950



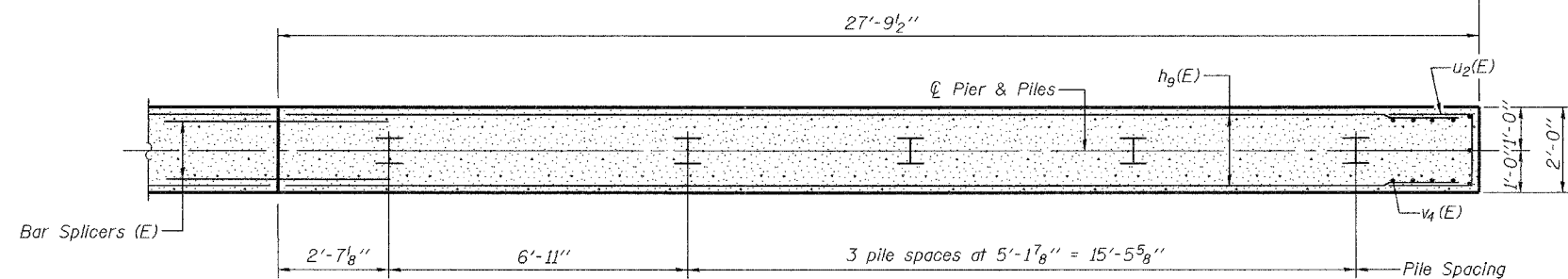
TOP PLAN



ELEVATION
(Looking South)



SECTION B-B



SECTION A-A

Notes: Pour steps monolithically with cap.
Space reinforcement in cap to miss anchor bolts.
For Anchor Bolt installation details see sheet 30 of 51.
For Bar Splicer details see sheet 48 of 51.
For Bill of Material and bar bending details see sheet 47 of 51.

PILE DATA
(PIER 1 - SB)

Type: HP14x73
Nominal Required Bearing: 578 kips
Factored Resistance Available: 289 kips
Est. Length: 60 feet
No. of Production Piles: 12

DESIGNED	Michael D. Cima
CHECKED	Fess Teklehaimanot
DRAWN	BECKY M. LEACH
CHECKED	M.D.C. & F.T.

EXAMINED	Thomas J. Domagala PRINCIPAL ENGINEER OF BRIDGE DESIGN
PASSED	Ralph E. Anderson ENGINEER OF BRIDGES AND STRUCTURES

January 22, 2007

PIER 1 (STAGE I - SB)
F.A.I. RT. 57 SEC. (X1-6-2)VB-2
WILLIAMSON COUNTY
STA. 1516+58.56
S.N. 100-0086 (N.B.)
S.N. 100-0087 (S.B.)