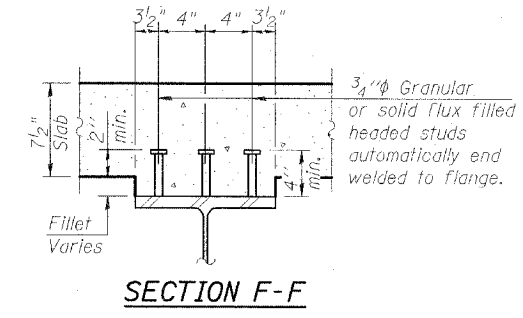
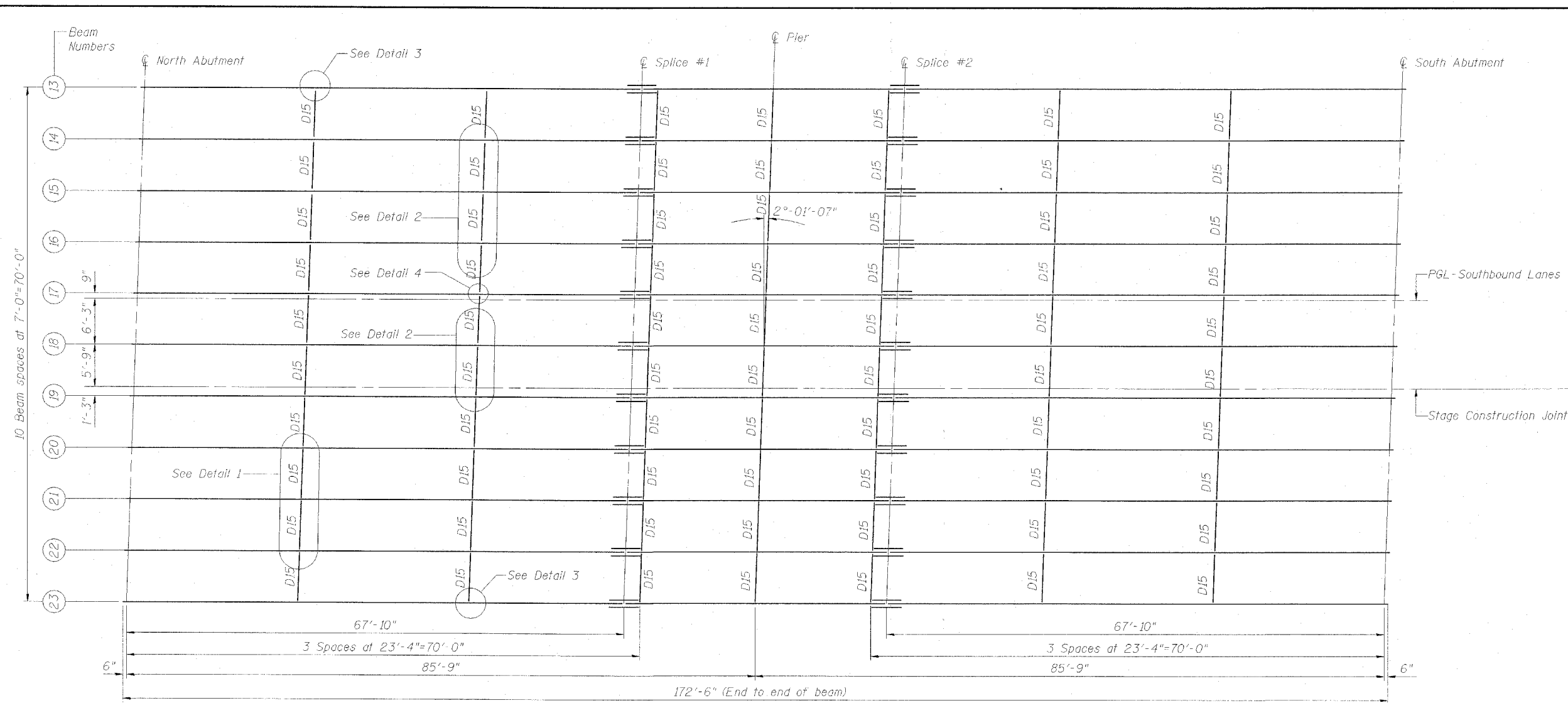


Contract #98950

NOTES

1. N.T.R. designates members subject to the supplemental requirements for notch toughness (Zone 2).
2. All structural steel for beams and splice plates shall be AASHTO M270 Grade 50.
3. Fasteners shall be high strength bolts conforming to AASHTO M-164 specification (ASTM A325). Bolts $\frac{7}{8}$ " ϕ , open holes $\frac{15}{16}$ " ϕ , unless noted otherwise.
4. Number of shear studs req'd = 8,382 Southbound

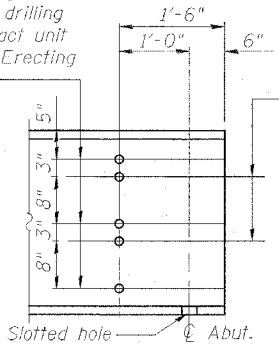


SOUTHBOUND TOP OF BEAM ELEVATIONS
(For fabrication only)

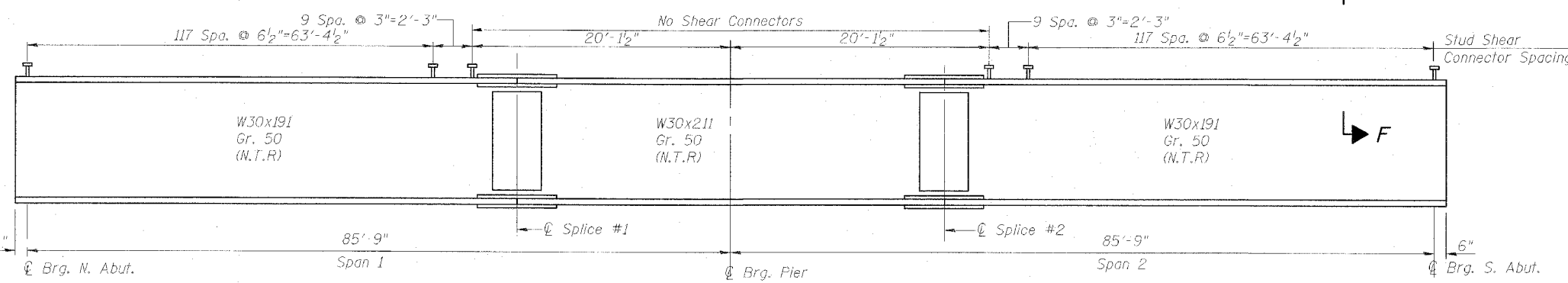
LOCATION	BEAM 13	BEAM 14	BEAM 15	BEAM 16	BEAM 17	BEAM 18	BEAM 19	BEAM 20	BEAM 21	BEAM 22	BEAM 23
⊙ Brg., N. Abut.	471.896	472.042	472.188	472.311	472.421	472.335	472.219	472.047	471.167	471.487	471.207
* Splice #1	471.840	471.983	472.129	472.253	472.363	472.277	472.162	471.963	471.684	471.404	471.128
⊙ Pier	471.811	471.954	472.100	472.224	472.334	472.248	472.133	471.928	471.648	471.368	471.092
* Splice #2	471.782	471.925	472.071	472.195	472.305	472.219	472.104	471.892	471.612	471.333	471.057
⊙ Brg., S. Abut.	471.616	471.762	471.909	472.033	472.144	472.058	471.943	471.705	471.426	471.147	470.867

*Elevations are given at top of W30x211.

⊙ 1" ϕ Holes in beams 6 and 17 for bar splicers. See Dwg's S-13 and S-14. Cost of drilling holes is included in contract unit price for Furnishing and Erecting Structural Steel.



⊙ 1" ϕ Holes in beams for m₃(E) and m₄(E) bars. See Dwg S-13 & S-14. Cost of drilling holes is included in contract unit price for Furnishing and Erecting Structural Steel.



BEAM ELEVATION

"NTR" denotes plates to which notch toughness requirements are applicable.

FRAMING PLAN, SOUTHBOUND

INTERSTATE 57 OVER
WEST MAIN ST. (OLD IL RT. 13)
F.A.I. RT. 57 SEC. (X1-6)HBK-2
WILLIAMSON COUNTY
STATION 1529+96.11
STRUCTURE NO. 100-0084 (N.B.)
STRUCTURE NO. 100-0085 (S.B.)

DESIGN FIRM REGISTRATION
No. 184-000450

Clark Dietz
ENGINEERS

1817 SOUTH NEYL STREET
SUITE 100
CHAMPAIGN, IL 61820
PHONE : 217.373.8900
FAX : 217.373.8923

NOTE: DIMENSIONAL DATA IS NOT TO BE OBTAINED BY SCALING ANY PORTION OF THIS DRAWING.

DESIGNED BY: SMM PROJECT NO: 1002314
DRAWN BY: MEW DATE: 05/20/06
CHECKED BY: SLD
APPROVED BY: SMM
ACTIVITY: INITIALS

DRAWING NUMBER
S-17