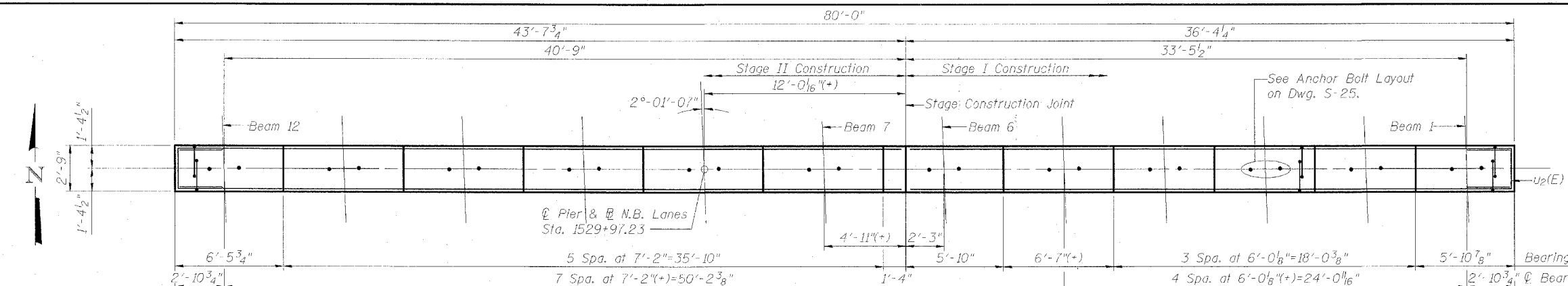
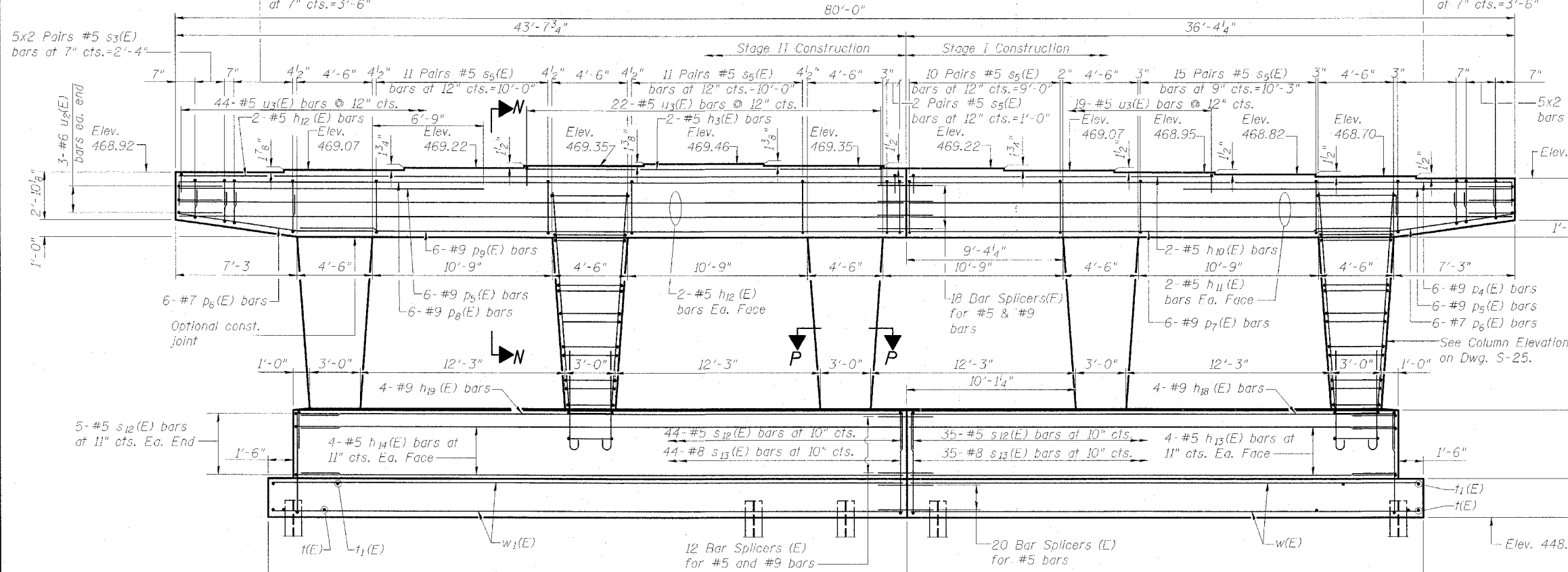


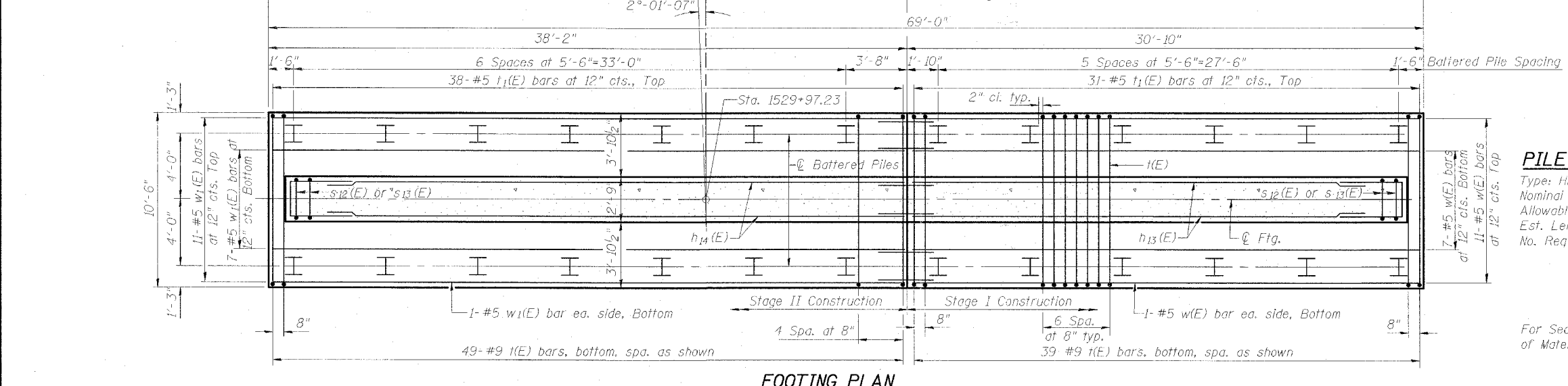
- Notes**
1. See Dwg. S-26 for Fluted Rope Texture Details.
  2. Four steps monolithically with cap.
  3. Space reinforcement in cap to miss anchor bolts.
  4. The Steel H-Piles shall be according to AASHTO M270 Grade 50.
  5. The test pile shall be driven to 110 percent of the Nominal Required Bearing indicated in the pile data information.



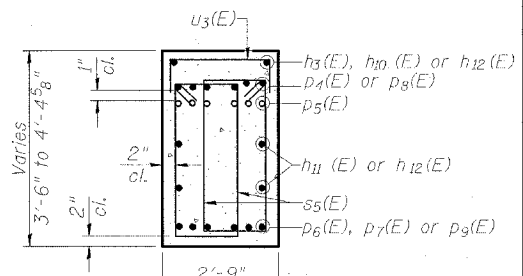
**TOP PLAN**



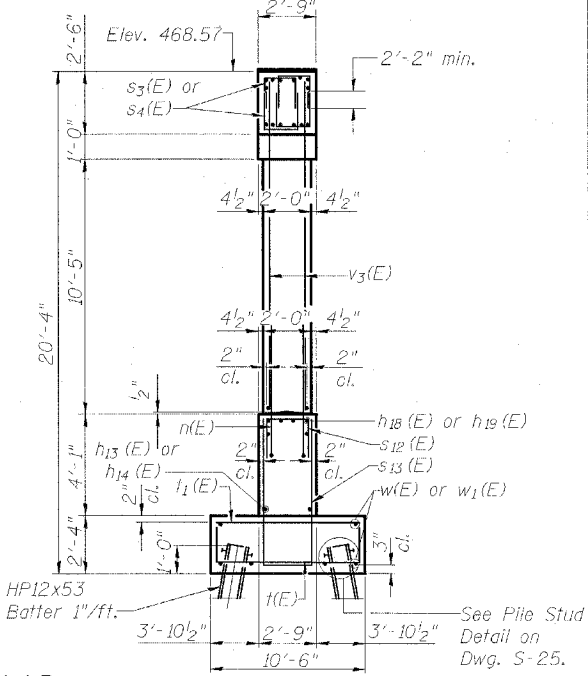
**ELEVATION**  
(Looking North)



**FOOTING PLAN**



**SECTION N-N**



**END VIEW**

**MIN. BAR LAP**

#5	2'-2"
----	-------

**PILE DATA**  
 Type: HP12x53  
 Nominal Req'd Bearing: 420k  
 Allowable Resistance Available: 140k  
 Est. Length: 20'  
 No. Req'd: 25 + 1 Test Pile

For Section P-P and Bill of Material see Dwg. S-25

**PIER, NORTHBOUND**

INTERSTATE 57 OVER  
 WEST MAIN ST. (OLD IL RT. 13)  
 F.A.I. RT. 57 SEC. (X1-6)HBK-2  
 WILLIAMSON COUNTY  
 STATION 1529+96.11  
 STRUCTURE NO. 100-0084 (N.B.)  
 STRUCTURE NO. 100-0085 (S.B.)

DESIGN FIRM REGISTRATION  
 No. 184-000450

**Clark Dietz**  
 ENGINEERS

1817 SOUTH NEIL STREET  
 SUITE 100  
 CHAMPAIGN, IL 61820  
 PHONE : 217.373.8900  
 FAX : 217.373.8923

NOTES: DIMENSIONAL DATA IS NOT TO BE OBTAINED BY SCALING ANY PORTION OF THIS DRAWING.

DESIGNED BY: SMM	PROJECT NO: 102314
DRAWN BY: MEW	DATE: 05/2006
CHECKED BY: SLD	
APPROVED BY: SMM	
ACTIVITY: DETAILS	

DRAWING NUMBER: **S-23**