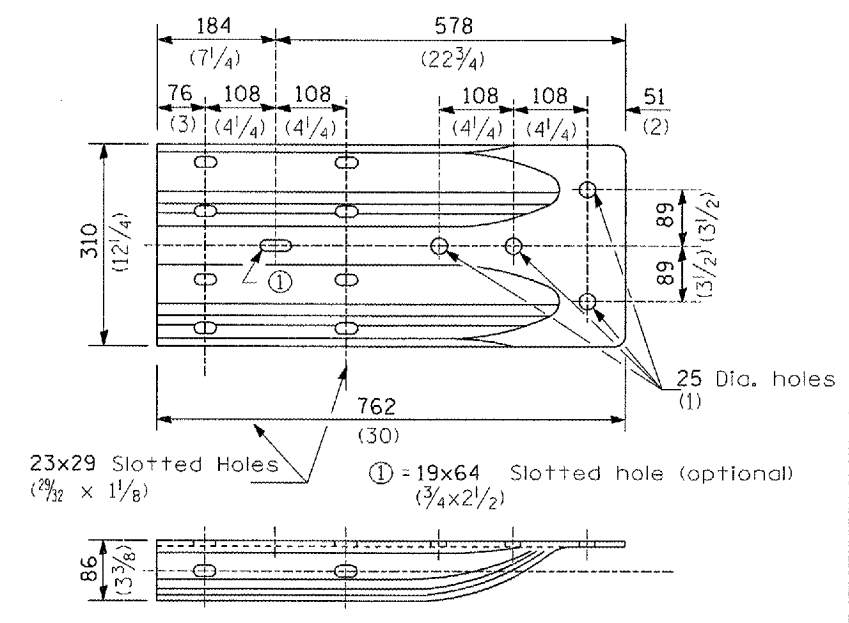
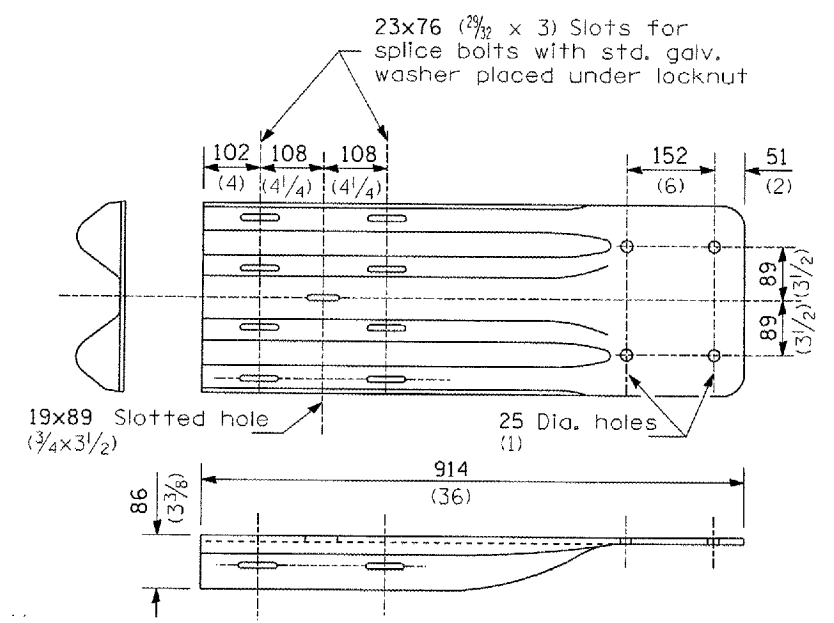
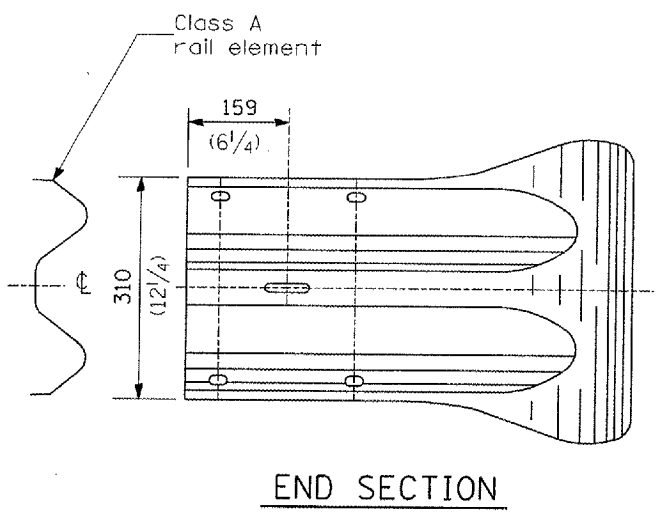
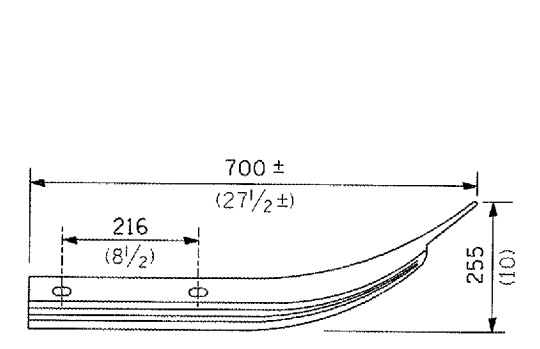
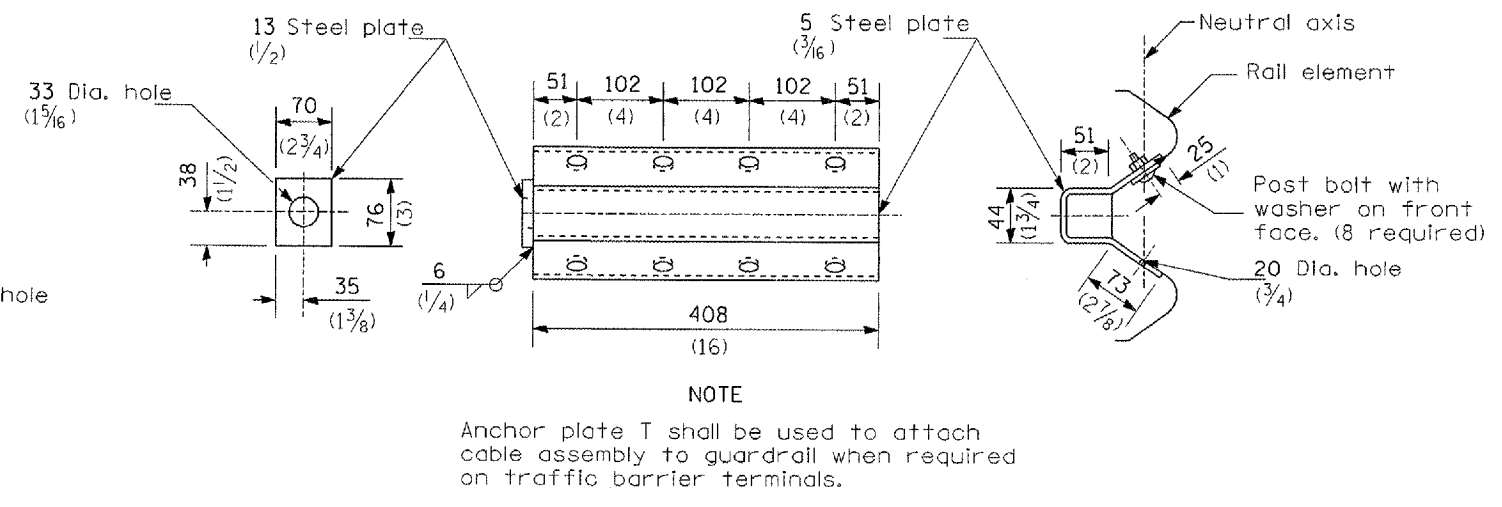
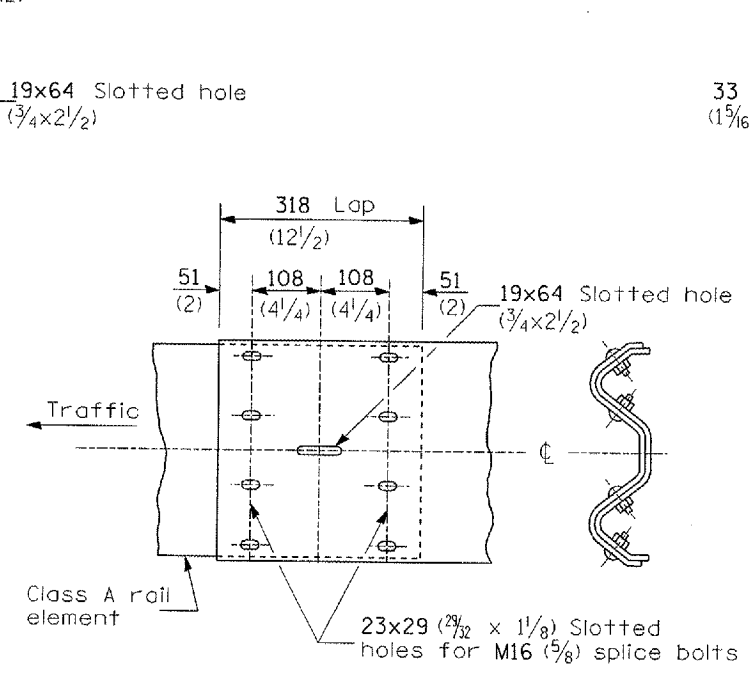
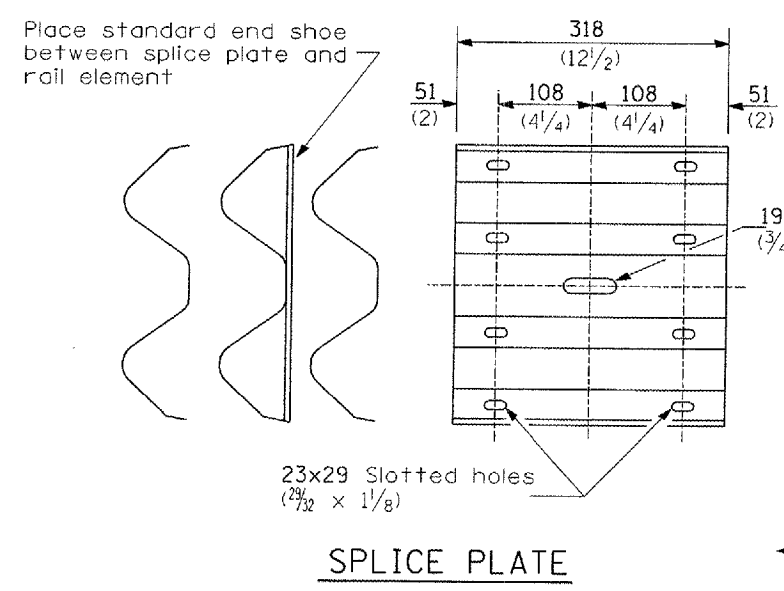


F.A.P. RTE.	SECTION	COUNTY	TOTAL SHEETS	SHEET NO.
877	101 RS-1	WHITE/GALLATIN	22	19
STA.	TO STA.			
FED. ROAD DIST. NO.	ILLINOIS	FED. AID PROJECT		



STEEL PLATE BEAM GUARDRAIL

(Sheet 3 of 4)

PLOT DATE = 3/21/2007
 FILE NAME = c:\pwork\msta\072285\p02286.m32
 PLOT NAME = 1038824 - / IN.
 USER NAME = dcmann