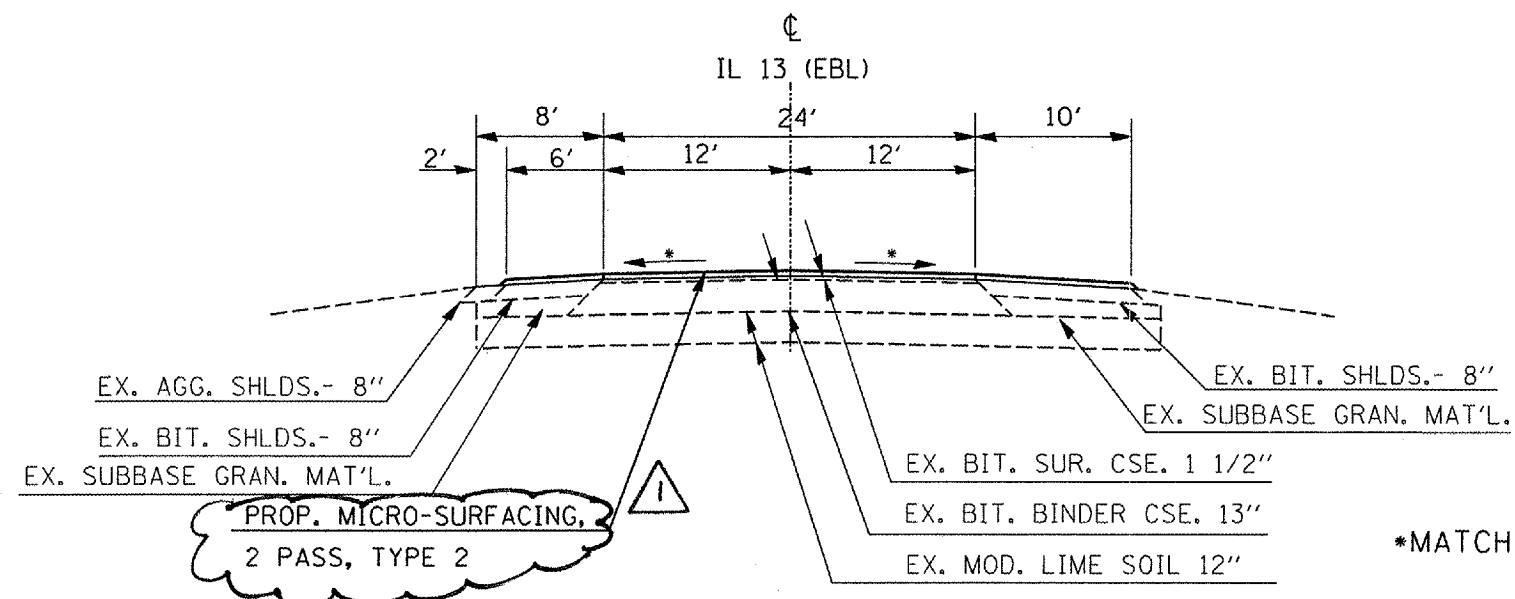


CONTRACT NO. 98995				
F.A.P. RTE.	SECTION	COUNTY	TOTAL SHEETS	SHEET NO.
331	:-	WILLIAMSON	8	4
STA. _____		TO STA. _____		
FED. ROAD DIST. NO. _____		ILLINOIS FED. AID PROJECT		

09\_PAVEMENT\_PRESERVATION\_FY07

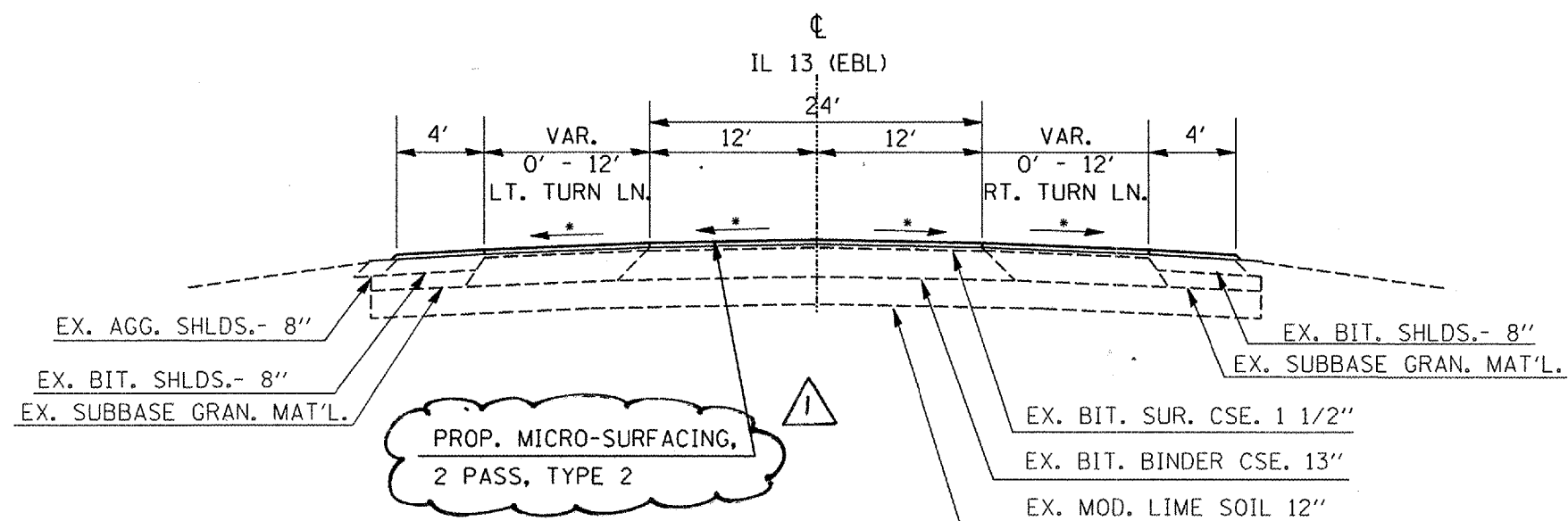


\*MATCH EXISTING SLOPE.

\*\* EXISTING S.N. 100-0071 OMITTED BETWEEN STA. 477+36 TO STA. 479+45, 209 FEET IN LENGTH.

TO BE USED:

STA. 341+00 TO STA. 396+50  
 STA. 402+00 TO STA. 477+36\*\*  
 STA. 479+45\*\* TO STA. 493+50  
 STA. 495+05 TO STA. 510+00



TO BE USED:

STA. STA. 396+50 TO STA. 402+00

PLOT DATE : 3/28/2007  
 FILE NAME : c:\pav\proj\98995\98995.dwg  
 PLOT SCALE : 1/4" = 1'-0"  
 USER NAME : rolliver

Rev. 4-5-07

FAP 331 (IL 13) TYPICAL SECTIONS