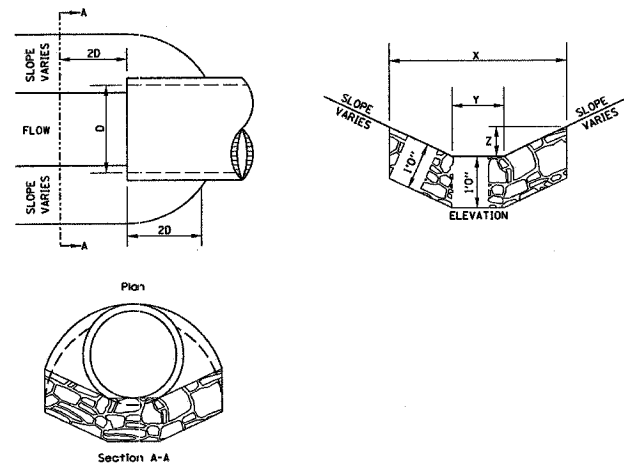


STONE RIPRAP DITCH DESIGN



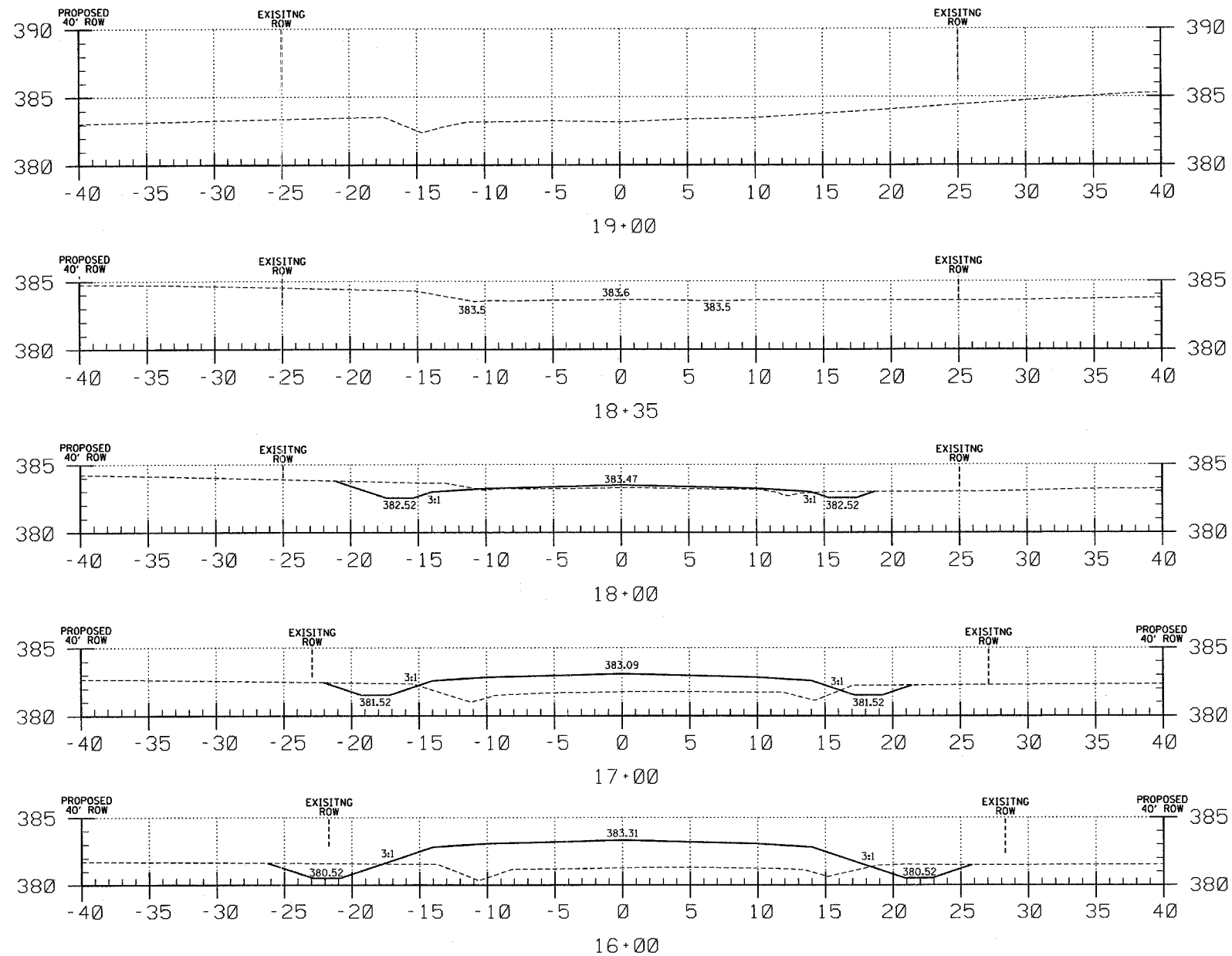
NOTE: FOR PLACEMENT, QUALITY GRADATION AND OTHER MISCELLANEOUS REQUIREMENTS FOR STONE RIPRAP DITCH-SEE SPECIAL PROVISIONS.

NOTE:

BOTTOM OF DITCH	SLOPE		
	1 1/2:1	2:1	3:1
2 FT	X= 5 FT	6 FT	8 FT
	Y= 2 FT	2 FT	2 FT
	Z= 1 FT	1 FT	1 FT
	0.40	0.48	0.62
	TON/LIN. FT		

BOTTOM OF DITCH	SLOPE		
	1 1/2:1	2:1	3:1
3 FT	X= 6 FT	7 FT	9 FT
	Y= 3 FT	3 FT	3 FT
	Z= 1 FT	1 FT	1 FT
	0.48	0.56	0.70
	TON/LIN. FT		

BOTTOM OF DITCH	SLOPE		
	1 1/2:1	2:1	3:1
4 FT	X= 7 FT	8 FT	10 FT
	Y= 4 FT	4 FT	4 FT
	Z= 1 FT	1 FT	1 FT
	0.56	0.64	0.78
	TON/LIN. FT		



C = 8.5  
 F = 3.7  
  
 C = 6.8  
 F = 36.8  
  
 C = 10.7  
 F = 61.6

F.A.S.	SECTION	COUNTY	TOTAL SHEETS	SHEET NO.
882	84-00059-00-BR	WHITE	22	8
FED. ROAD DIST. NO. 9 ILLINOIS		FED. AID PROJECT		
PROJECT# BRS-882(108)		CONTRACT# 99268		
JOB # C-99-593-06		SKILLET FORK		

323 W. 3RD ST.  
 P.O. BOX 160  
 MT. CARMEL, IL  
 62863  
 PHONE:  
 (618)-262-8651  
 FAX:  
 (618)-263-3327

405 W. STATE ST.  
 SUITE 1  
 PRINCETON, IN  
 47670  
 PHONE:  
 (812)-386-7611  
 FAX:  
 (812)-386-2812



PROFESSIONAL DESIGN FIRM  
 LAND SURVEY & PROFESSIONAL ENGINEERING CORPORATION  
 184-000887  
 (62-032435)(35-002769)



AARON M. MEFFORD  
 NAME  
 SIGNATURE  
 DATE  
 2-12-07  
 11-30-07  
 EXPIRES

F.A.S. ROUTE 882  
 SKILLET FORK  
 WHITE COUNTY, ILLINOIS

SHEET TITLE:

CROSS-SECTIONS

SCALE: 1" = 8'  
 BY: AMM  
 DATE: 02/20/07  
 REV: MLG

8 OF 22 SHEETS

SHEET NO.  
 8