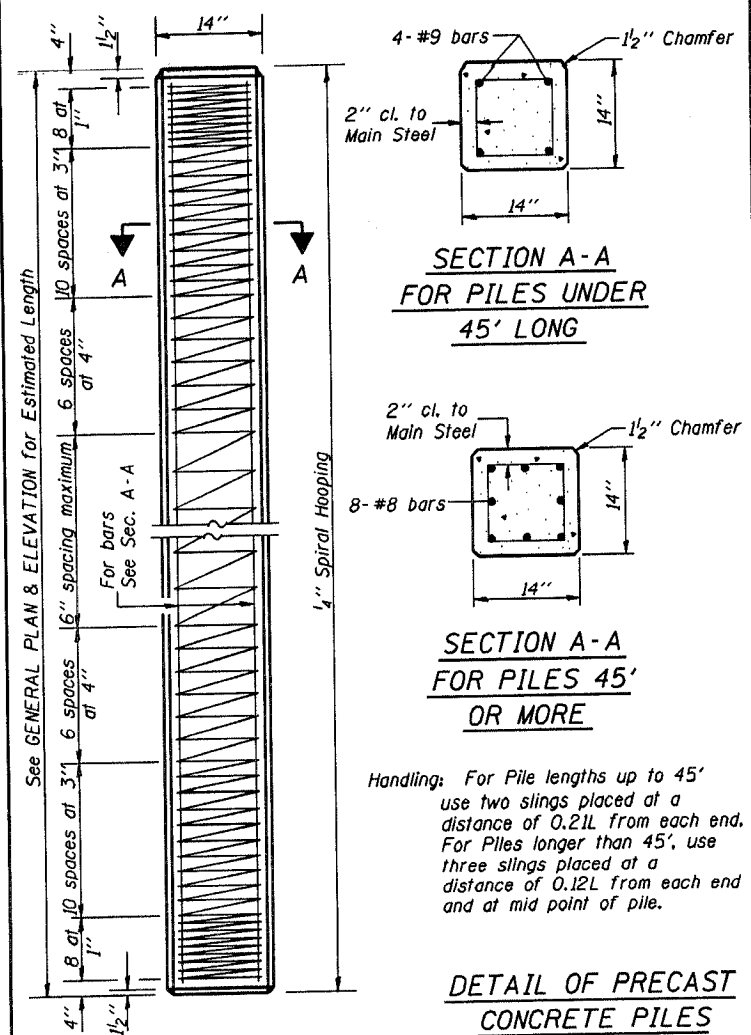
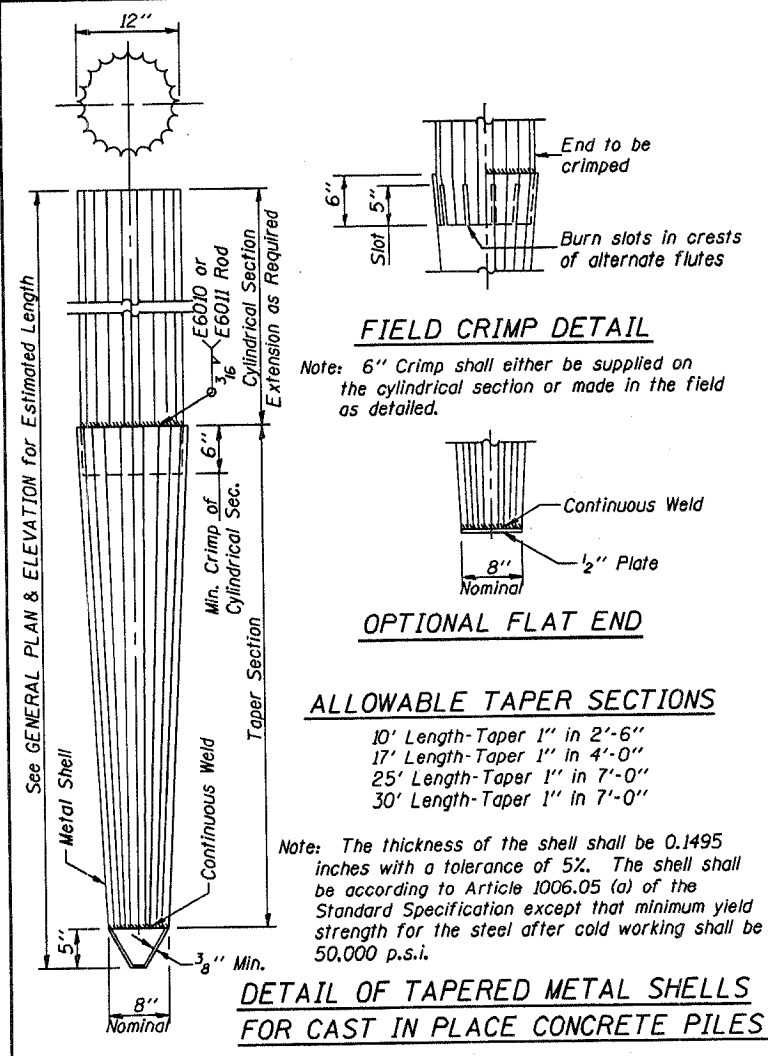


Reinforcement cage shall be omitted when Concrete Encasement is provided.

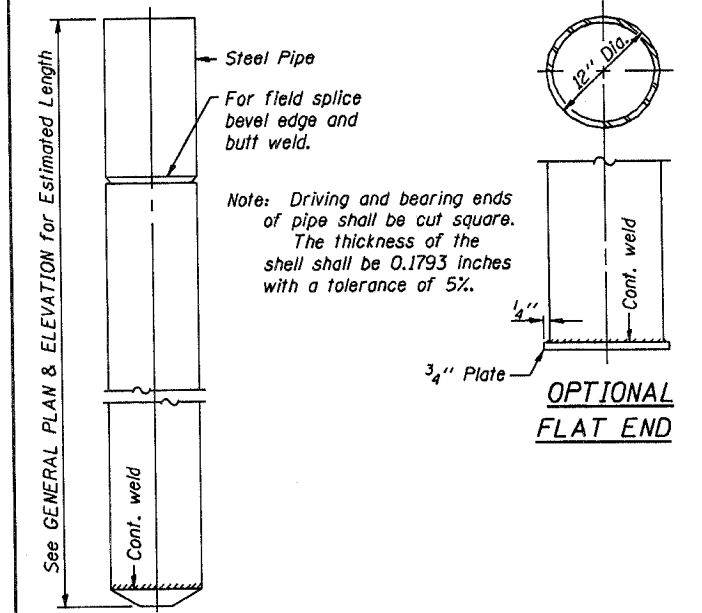
The cost of Reinforcement is included with the Cost of Furnishing Piles.



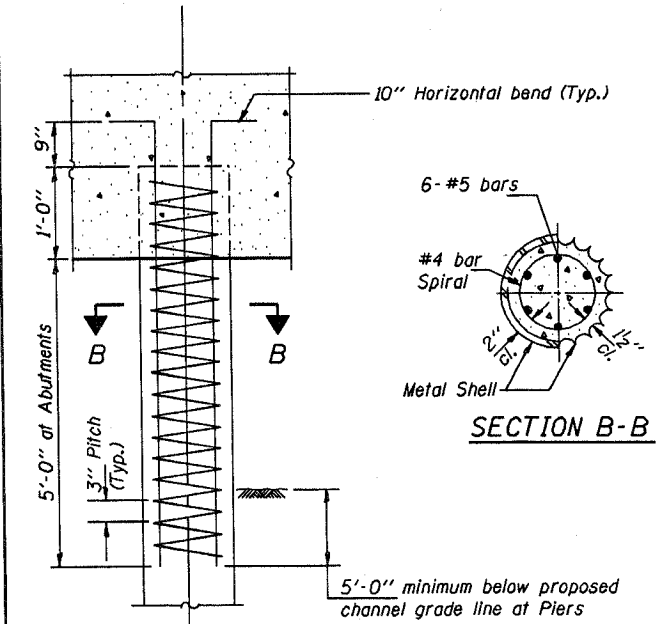
DETAIL OF PRECAST CONCRETE PILES



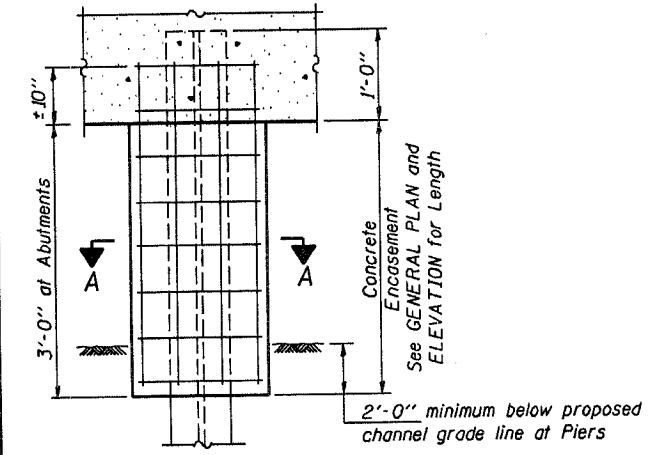
DETAIL OF TAPERED METAL SHELLS FOR CAST IN PLACE CONCRETE PILES



DETAIL OF CYLINDRICAL STEEL SHELL FOR CAST IN PLACE CONCRETE PILES

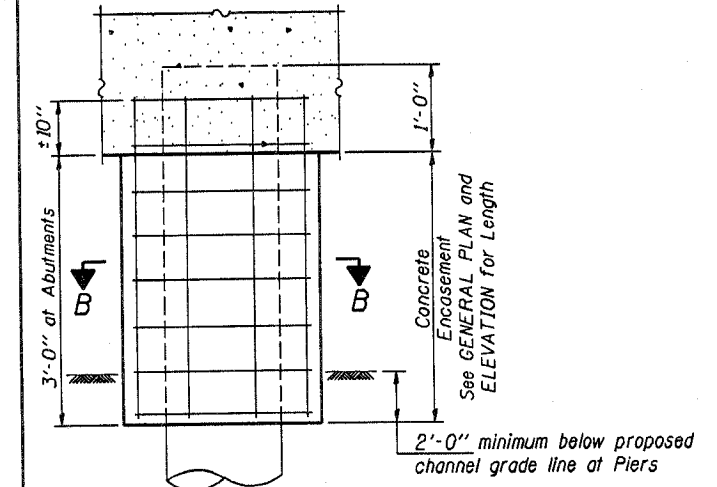


DETAIL OF REINFORCEMENT FOR METAL SHELLS



DETAIL OF HP PILE ENCASEMENT

Pile	'F'
HP8	1'-6"
HP10	1'-9"
HP12	2'-0"



DETAIL OF METAL SHELL PILE ENCASEMENT

QUANTITIES/FT. OF ENCASEMENT (STEEL PILES)

Pile Size	Item	Quantity
HP8	Concrete Encasement	0.063 C.Y.
HP10	Concrete Encasement	0.086 C.Y.
HP12	Concrete Encasement	0.112 C.Y.

(METAL SHELL PILES)

Pile Size	Item	Quantity
12" Dia.	Concrete Encasement	0.087 C.Y.

PILE DETAILS
STANDARD CX-1

Illinois Department of Transportation

PASSED FEBRUARY 1, 2000

Thomas J. Nagelski
 Engineer of Bridge Design

APPROVED FEBRUARY 1, 2000

Ralph E. Anderson
 Engineer of Bridges and Structures