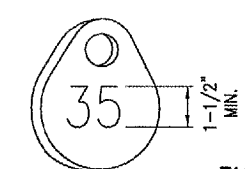
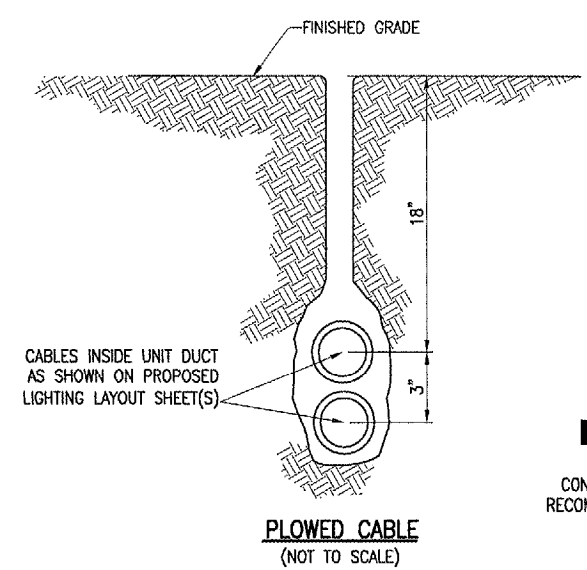
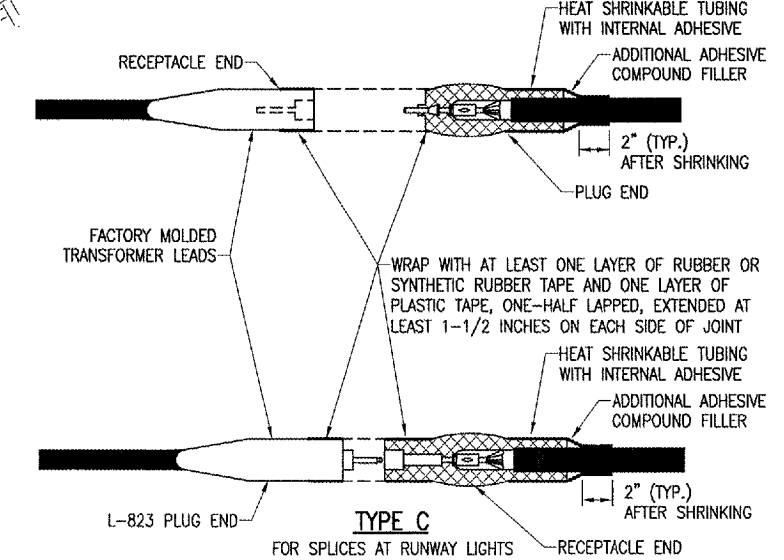
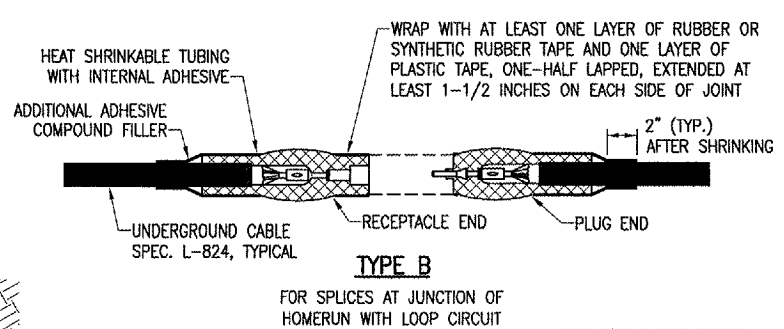
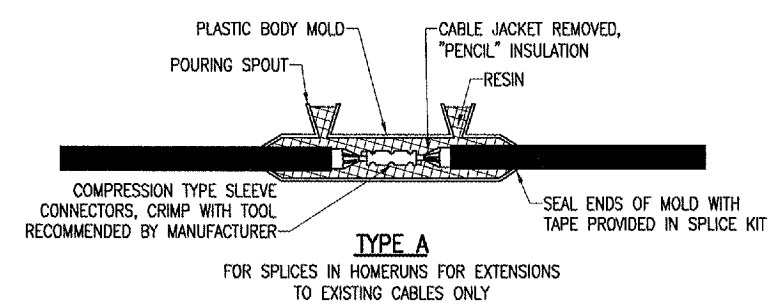


**NOTES:**  
 DETAIL NUMBERS INDICATE NO. OF CABLES.  
 TRENCHES WITH MORE THAN SEVEN CABLES SHALL BE INCREASED 3" IN WIDTH FOR EACH ADDITIONAL CABLE; IF SPECIFIED ON PLANS TWO PARALLEL TRENCHES MAY BE CONSTRUCTED.  
 DEPTH OF TRENCHES SHALL BE AS SHOWN ABOVE UNLESS OTHERWISE SPECIFIED ON THE PLANS.  
 ALL DISTURBED SURFACES SHALL BE RESTORED TO THEIR ORIGINAL CONDITION. COST IS INCIDENTAL TO TRENCH.



**TAG DETAIL**  
(NOT TO SCALE)

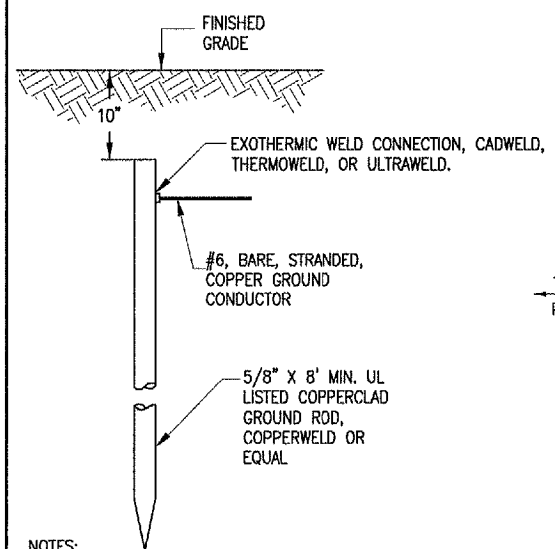
**NOTE:**  
 AFFIX NON-CORROSIVE TAG TO FIXTURE FACING RUNWAY WITH SET SCREW, WIRE TIE, OR METAL BAND. NUMERALS SHALL BE ENGRAVED FOR PERMANENT READABILITY.



**NOTES:**  
 SEE PROPOSED LIGHTING LAYOUT SHEET(S) FOR SPLICE TYPE.  
 INSIDE DIAMETER OF CONNECTOR SHALL PROPERLY MATCH THE OUTSIDE DIAMETER OF CABLE.

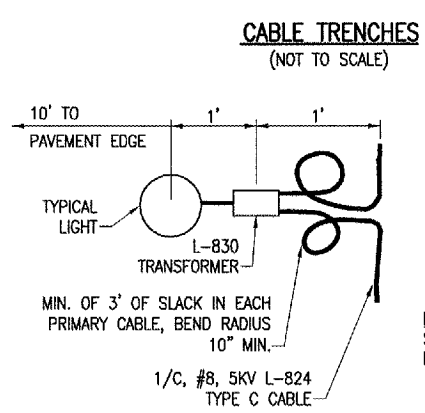
**CABLE SPLICES**  
(NOT TO SCALE)

THE LOCATION OF UNDERGROUND UTILITIES AS INDICATED ON THE PLANS HAS BEEN OBTAINED FROM EXISTING RECORDS. NEITHER THE OWNER NOR THE ENGINEER ASSUMES ANY RESPONSIBILITY WHATSOEVER, IN RESPECT TO THE ACCURACY OR SUFFICIENCY OF THE INFORMATION AND THERE IS NO GUARANTEE, EITHER EXPRESSED OR IMPLIED, THAT THE CONDITIONS ARE REPRESENTATIVE OF THOSE TO BE ENCOUNTERED IN THE CONSTRUCTION.

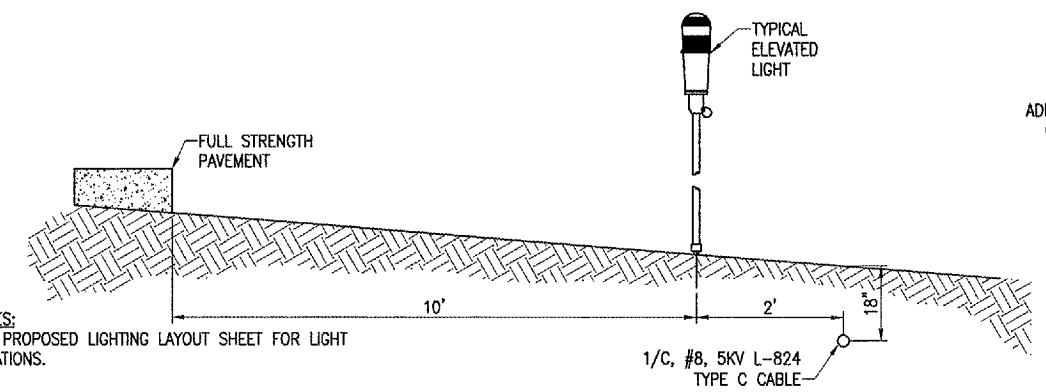


**NOTES:**  
 1. TYPE AND MINIMUM NUMBER OF GROUND RODS SHALL BE AS SPECIFIED ON THE PLAN.  
 2. THE RESISTANCE TO GROUND OF THE GROUNDING SYSTEM SHALL NOT EXCEED 25 OHMS.  
 3. COST OF GROUND RODS IS INCIDENTAL TO THE ASSOCIATED ITEMS REQUIRING GROUNDING UNLESS OTHERWISE SPECIFIED.  
 4. GROUND RODS SHALL NOT BE SPACED LESS THAN ONE ROD LENGTH APART.

**GROUND ROD**  
(NOT TO SCALE)



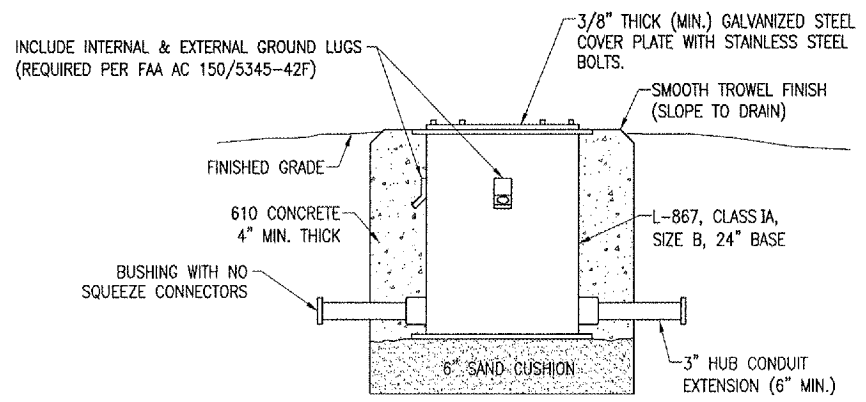
**PLAN VIEW**



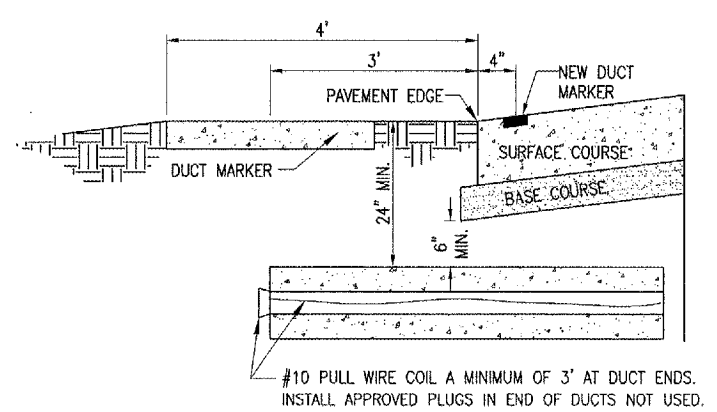
**PROFILE VIEW**

**LIGHT AND CABLE INSTALLATION DETAIL**  
(NOT TO SCALE)

**NOTES:**  
 SEE PROPOSED LIGHTING LAYOUT SHEET FOR LIGHT LOCATIONS.



**TRANSFORMER BASE/SPLICE CAN DETAIL**  
(NOT TO SCALE)



**UNDERGROUND ELECTRICAL DUCT**  
(NOT TO SCALE)

BY	
REVISION	
DATE	

IL PROJ.: DEC-3667  
 A.I.P. PROJ.: 3-17-0033-30

Project No.	802-07RWY	DATE	03/18/05
Revision	R-541ELE.DWG	DATE	03/18/05
Author	N/A	DATE	03/08/05
Scale		LAYOUT	CCC
		DRAWN	CCC
		REVIEWED	RAW

**HANSON**  
 Hanson Professional Services Inc.  
 1625 South Sixth Street  
 Springfield, Illinois 62703-2686  
 Offices Nationwide

RECONSTRUCT A PORTION OF RUNWAY 6/24, TAXIWAY A AND C  
 ELECTRICAL DETAILS

MAR 16, 2007 1:45 PM RAW  
 I:\AIRPORTS\DECATUR\802-07RWY\AIRPORT SHEETS\R-541ELE.DWG - ELEC. DETAILS 2