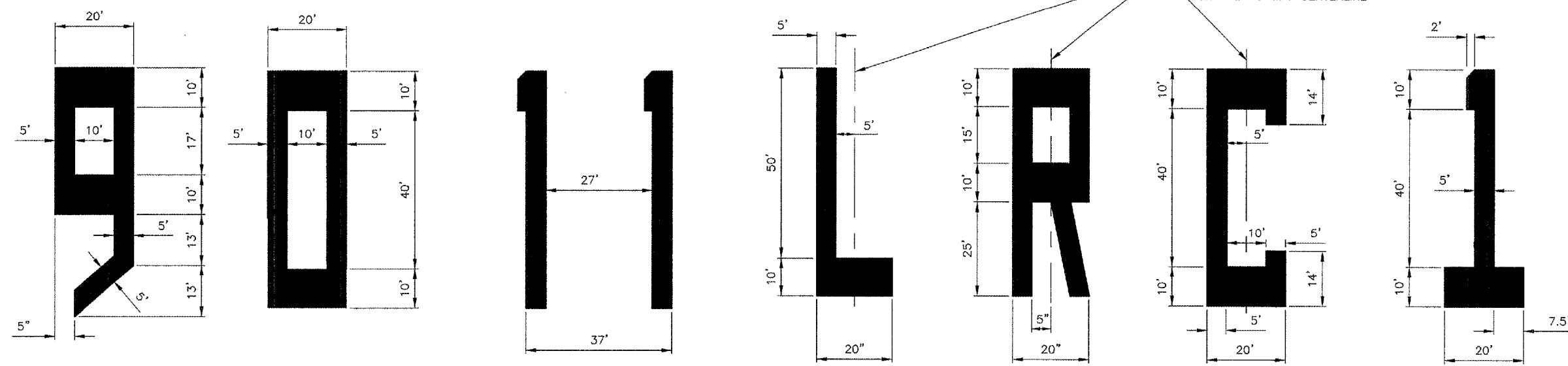
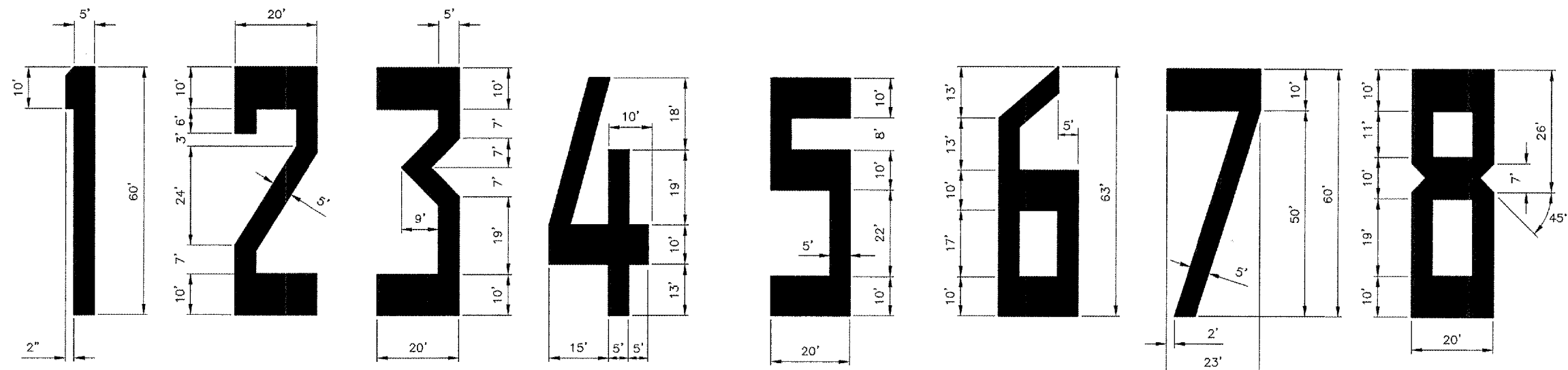
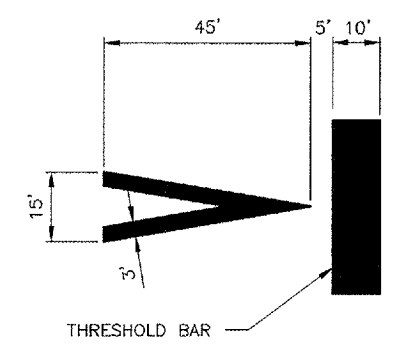


DATE: Thursday, March 08, 2007 9:01:01 PM
 FILE: K:\onsite\0629702 Rehab 9-21 Elect\Draw\Sheets\12 mark-letters.tbl.dwg
 UPDATE BY: Jason Dove
 LAYOUT: Layout1
 \$STL\$ \$SYM\$
 \$PRE\$ \$DWG\$ \$PLOT\$ \$PRN\$



RUNWAY CENTERLINE - SINGLE DESIGNATIONS ARE CENTERED ON THE RUNWAY CENTERLINE



ARROWHEAD AND THRESHOLD BAR DETAILS
 N.T.S.

- NOTE:**
1. ALL PROPOSED YELLOW AND WHITE MARKING SHALL HAVE REFLECTIVE BEADS.
 2. ALL PROPOSED WHITE MARKINGS SHALL HAVE 6" BLACK BORDER.

RUNWAY NUMERALS DETAIL
 N.T.S.

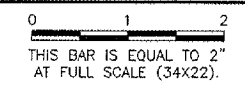
- NOTE:**
1. ALL NUMERALS EXCEPT THE NUMBER ELEVEN (11) AS SHOWN ARE HORIZONTALLY SPACED FIFTEEN (15) FEET APART.
 2. SINGLE DIGITS SHALL NOT BE PRECEDED BY A ZERO
 3. DIMENSIONS ARE EXPRESSED IN FEET.
 4. THE NUMERAL ONE (1), WHEN USED ALONE, CONTAINS A HORIZONTAL BAR TO DIFFERENTIATE IT FROM THE RUNWAY CENTERLINE MARKING.
 5. SINGLE DESIGNATIONS ARE CENTERED ON THE RUNWAY PAVEMENT CENTERLINE. FOR DOUBLE DESIGNATIONS, THE CENTER OF THE OUTER EDGES OF THE TWO NUMERALS IS CENTERED ON THE RUNWAY PAVEMENT CENTERLINE.
 6. WHERE THE RUNWAY DESIGNATION CONSISTS OF A NUMBER AND A LETTER, THE NUMBER AND LETTER ARE LOCATED ON THE RUNWAY CENTERLINE IN A STACKED ARRANGEMENT.

(SEE NOTE 4)

IL. CONTRACT: **LA036**
 IL. LETTING ITEM: **2A**
 IL. PROJECT: **IGQ-3565**
 A.I.P. PROJECT: **3-17-0121-B25**

SURVEY BOOK # BOOK #

REVISIONS		
NUMBER	BY	DATE



VILLAGE OF LANSING
 LANSING MUNICIPAL AIRPORT
 LANSING, ILLINOIS

REHABILITATE AIRFIELD LIGHTING SYSTEM
 PAVEMENT MARKING
 AIRFIELD PAVEMENT MARKING DETAILS
 LETTERS AND SYMBOLS

© Copyright GMT, Inc.

GMT
 CRAWFORD, MURPHY & TILLY, INC.
 CONSULTING ENGINEERS
 License No. 184-000618

Lansing Municipal
airport

DESIGN BY:	JWD
DRAWN BY:	JWD
CHECKED BY:	DKP
APPROVED BY:	----
DATE:	02 MARCH 2007
JOB No:	06297-02

C-05