

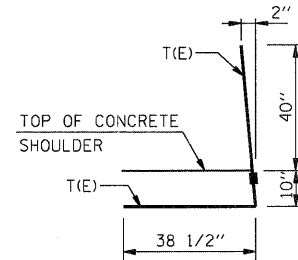
* LONGITUDINAL BARS SHOULD NOT EXTEND THROUGH EXPANSION JOINTS. CUT A(E) AND B(E) BARS IN FIELD TO FIT.

CONCRETE BARRIER, SINGLE FACE, 42" HEIGHT (SPECIAL)

ALONG US 20 WB (SEE SHEETS 65-66)

N.T.S.

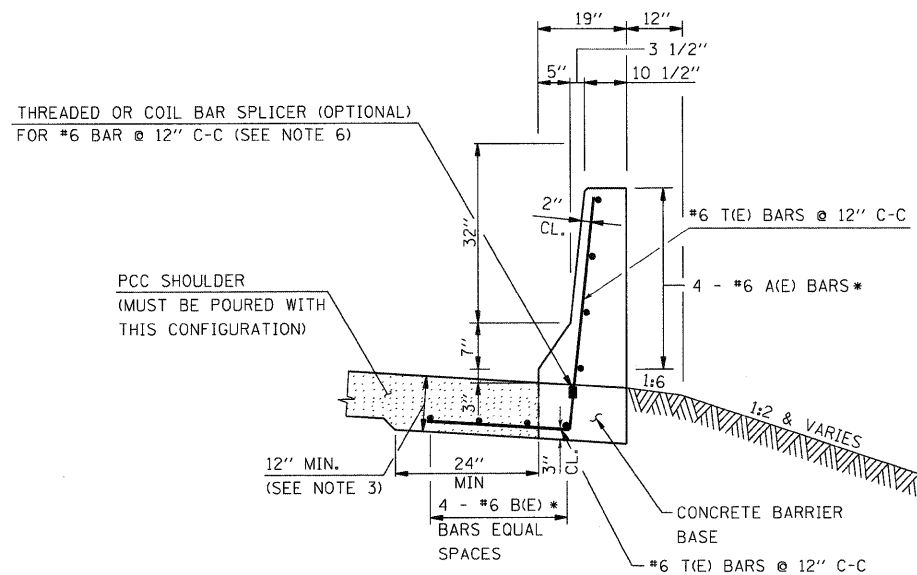
CUT SECTION				
REINFORCING BARS 20' SECTION				
BAR NO.	SIZE	LENGTH	SHAPE	
A(E)	4	#6	23'-6"	—
B(E)	5	#6	23'-6"	—
T(E)	20	#6	7'-4 1/2"	┘
REBAR REQUIRED FOR 20' SECTION			POUND	540
REINFORCEMENT BARS, EPOXY COATED (TOTAL FOR 650' BARRIER)			POUND	17,550



T(E) BAR DETAIL

CUT SECTION

N.T.S.

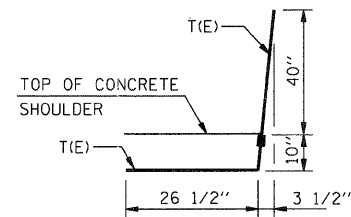


* LONGITUDINAL BARS SHOULD NOT EXTEND THROUGH EXPANSION JOINTS. CUT A(E) AND B(E) BARS IN FIELD TO FIT.

CONCRETE BARRIER, SINGLE FACE, 42" HEIGHT (SPECIAL)

ALONG RAMP C

N.T.S.



T(E) BAR DETAIL

FILL SECTION

N.T.S.

FILL SECTION				
REINFORCING BARS 20' SECTION				
BAR NO.	SIZE	LENGTH	SHAPE	
A(E)	4	#6	23'-6"	—
B(E)	4	#6	23'-6"	—
T(E)	20	#6	6'-4 1/2"	┘
REBAR REQUIRED FOR 20' SECTION			POUND	480
REINFORCEMENT BARS, EPOXY COATED (TOTAL FOR 940' BARRIER)			POUND	22,560

LEGEND:

PAY LIMITS OF PCC SHOULDERS.

NOTES:

- FOR ADDITIONAL SHOULDER DETAILS, SEE TYPICAL SECTIONS AND STANDARDS 482006, 483001 & 601001 AS APPLICABLE.
- A 1" RADIUS CAN BE SUBSTITUTED FOR THE 1/2" CHAMFER AT THE TOP OF THE BARRIER WALL.
- THE THICKENED PCC SHOULDER FOR THE REINFORCED CONCRETE BARRIER SECTION SHALL BE INCLUDED IN THE COST OF THE CONCRETE BARRIER OF THE TYPE AND HEIGHT SPECIFIED.
- ALL REINFORCING BARS, BAR SPLICERS, TIE BARS AND DOWEL BARS SHALL BE EPOXY COATED AND SHALL BE SEATED IN THE FINAL POSITION PRIOR TO THE CONCRETE OPERATIONS. BARS SHALL NOT BE MUCKED INTO PLACE.
- THE BAR SPLICER SHALL BE CAPABLE OF DEVELOPING A MINIMUM OF 125% OF THE YIELD STRENGTH OF A #6 BAR.
- THE FURNISHING AND PLACING OF OPTIONAL BAR SPLICERS SHALL BE INCLUDED IN THE CONTRACT UNIT PRICE FOR CONCRETE BARRIER OF THE TYPE AND HEIGHT SPECIFIED.
- TRANSVERSE CONTRACTION AND EXPANSION JOINTS SHALL BE CONSTRUCTED IN LINE WITH THE CONTRACTION AND EXPANSION JOINTS IN THE ADJACENT SHOULDER.
- THE MINIMUM LAP FOR A(E) AND B(E) BARS SHALL BE 3'-6".

\S:\6044\AM\VAULT.D - TRANS.07\2220\21379-001\CIVIL\CAD\6044\ASHEET\UDIB04H4E-SHT-ROADDE.TUBLD.D
 \S:\6044\AM\VAULT.D - TRANS.07\2220\21379-001\CIVIL\CAD\6044\ASHEET\UDIB04H4E-SHT-ROADDE.TUBLD.D
 12-12-2011 12:46:08
 BRUZEKJ

