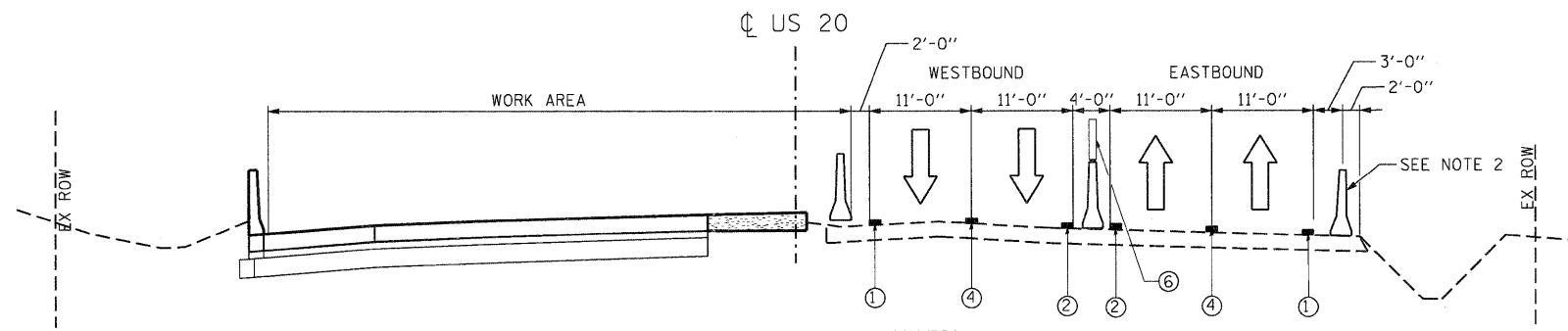
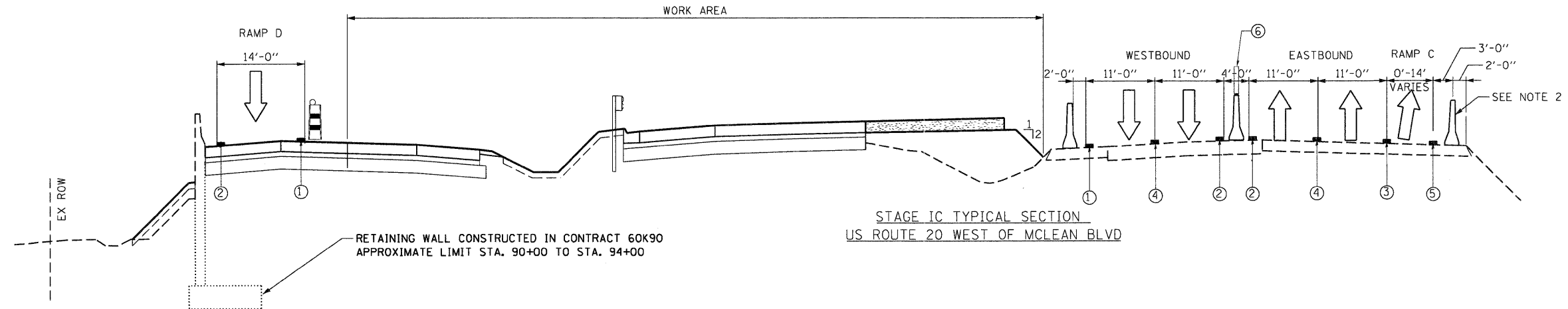


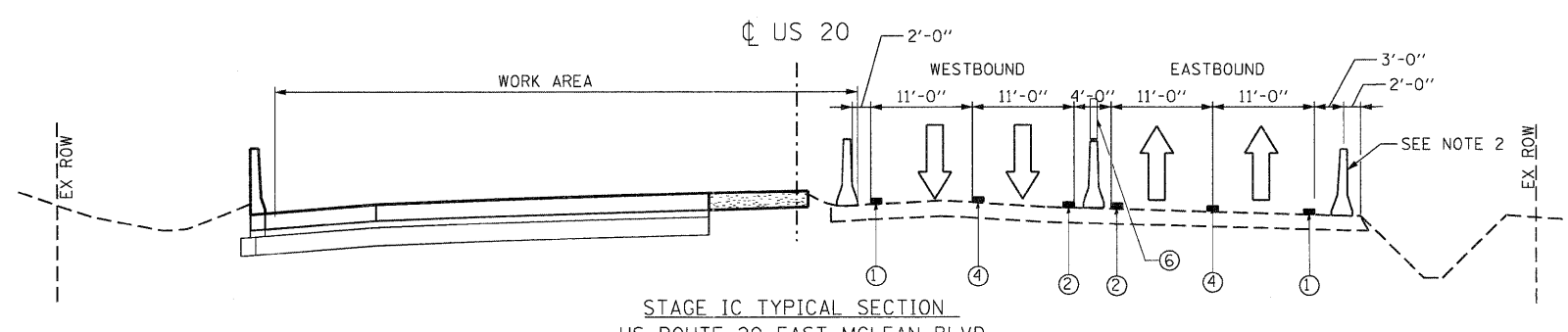
STAGE IA & IB TYPICAL SECTION
US ROUTE 20 WEST OF MCLEAN BLVD



STAGE IA & IB TYPICAL SECTION
US ROUTE 20 EAST OF MCLEAN BLVD



STAGE IC TYPICAL SECTION
US ROUTE 20 WEST OF MCLEAN BLVD



STAGE IC TYPICAL SECTION
US ROUTE 20 EAST OF MCLEAN BLVD

- NOTES:**
1. THE TEMPORARY CONCRETE BARRIER SHALL BE SECURED TO THE PAVEMENT USING THREE ANCHORING PINS ON THE TRAFFIC SIDE OF THE BARRIER AT LOCATIONS WHERE A HAZARD OR SLOPE STEEPER THAN 1V:10H EXISTS WITHIN 3 FT OF THE BARRIER. THE COST OF THIS WORK SHALL BE INCLUDED IN THE CONTRACT UNIT PRICE FOR "TEMPORARY CONCRETE BARRIER", OR "RELOCATE TEMPORARY CONCRETE BARRIER" (AS APPLICABLE).
 2. THE TEMPORARY CONCRETE BARRIER BETWEEN OPPOSING LANES OF TRAFFIC SHALL BE CENTERED BETWEEN THE LANE LINES OR AS SHOWN ON THE PLANS.
 3. TEMPORARY PAVEMENT ON US ROUTE 20 AND RAMP C SHALL BE ACCORDING TO THE PAVEMENT STRUCTURE DETAILS AND MIX DESIGN REQUIREMENTS ON THE TYPICAL SECTIONS SHEET 38.

LEGEND

- TEMPORARY CONCRETE BARRIER
- VERTICAL PANELS WITH FLASHING LIGHT
- DRUM OR BARRICADE WITH FLASHING LIGHT
- DIRECTION OF TRAFFIC
- TEMPORARY PAVEMENT (SEE NOTE 5)

- ① WET REFLECTIVE TEMPORARY TAPE TYPE III - LINE 4" WHITE
- ② WET REFLECTIVE TEMPORARY TAPE TYPE III - LINE 4" YELLOW
- ③ WET REFLECTIVE TEMPORARY TAPE TYPE III - LINE 4" WHITE (2' DASH - 6' SKIP)
- ④ WET REFLECTIVE TEMPORARY TAPE TYPE III - LINE 4" WHITE (10' DASH - 30' SKIP)
- ⑤ WET REFLECTIVE TEMPORARY TAPE TYPE III - LINE 8" WHITE
- ⑥ MODULAR GLARE SCREEN SYSTEM

FILE NAME = ... \D:\60445-BR-R\LEGEND.DGN
 USER NAME = *USER*
 DESIGNED - MM
 DRAWN - RJS
 CHECKED - PB
 DATE - 12/16/11
 REVISED -
 REVISED -
 REVISED -
 REVISED -
 PLOT SCALE = #SCALE*
 PLOT DATE = #DATE*
 TENG & ASSOCIATES, INC.
 ENGINEERS/ARCHITECTS/PLANNERS
 CHICAGO, ILLINOIS

**STATE OF ILLINOIS
DEPARTMENT OF TRANSPORTATION
FAP ROUTE 345 / US ROUTE 20**

STAGING AND TRAFFIC CONTROL U.S. ROUTE 20 TYPICAL SECTIONS STAGE IA, IB & IC		F.A.P. RTE. 345	SECTION BR-R	COUNTY KANE	TOTAL SHEETS 794	SHEET NO. 129
SCALE: 1"=10'	SHEET NO.	OF	STA.	TO STA.	CONTRACT NO. 60H45	

FED. ROAD DIST. NO.	[ILLINOIS] FED. AID PROJECT
---------------------	-----------------------------