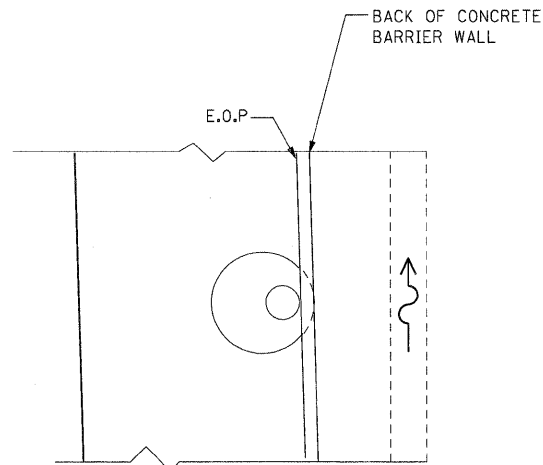
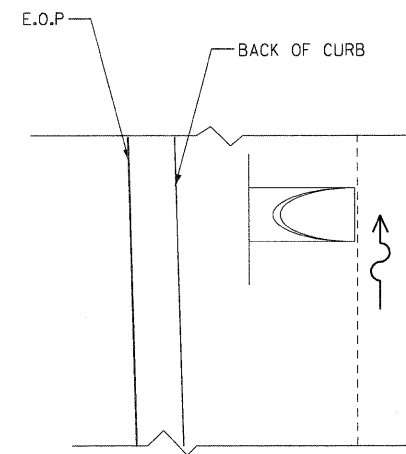


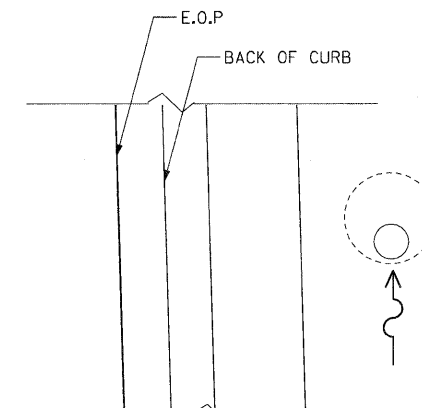
**PLAN VIEW**  
**MANHOLE IN SHOULDER WITH GUARDRAIL**



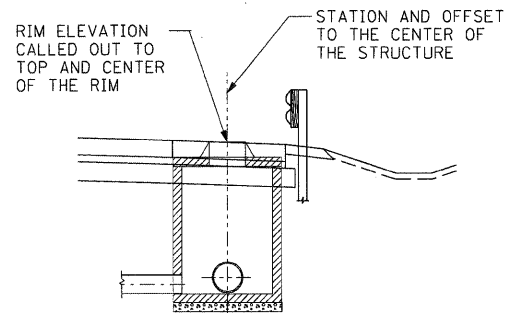
**PLAN VIEW**  
**INLET AND CATCH BASIN IN SHOULDER WITH CONCRETE BARRIER WALL**



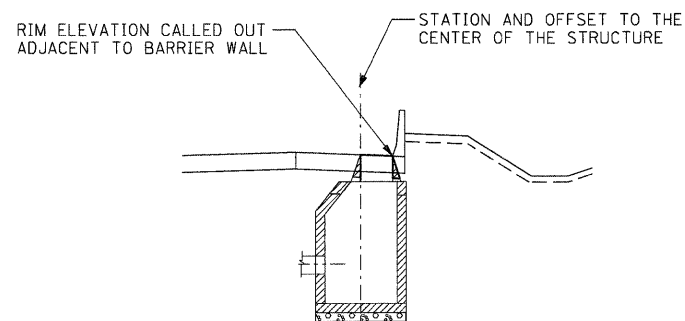
**PLAN VIEW**  
**FLARED END SECTION**



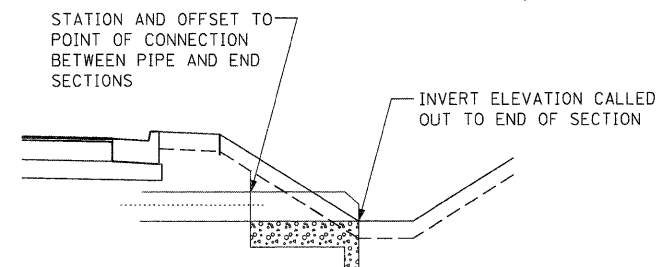
**PLAN VIEW**  
**INLET AND CATCH BASIN IN DITCH**



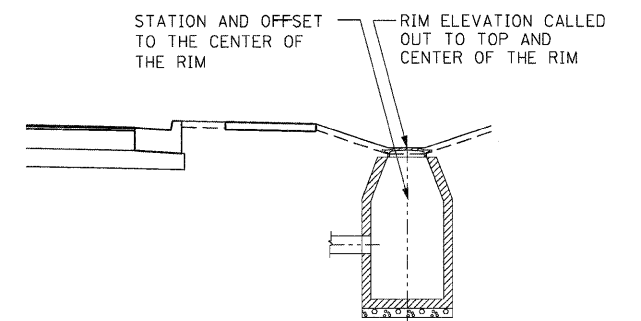
**SECTION**  
**MANHOLE IN SHOULDER WITH GAURDRAIL (CONE AND FLAT SLAB TOP SECTIONS)**



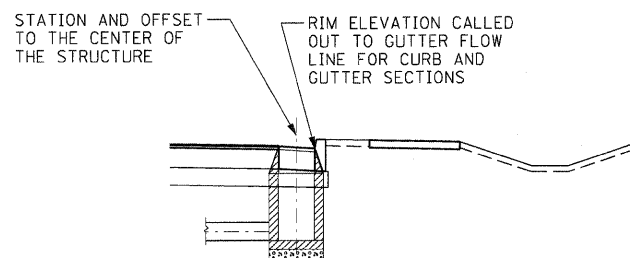
**SECTION**  
**INLET AND CATCH BASIN IN SHOULDER WITH CONCRETE BARRIER WALL**



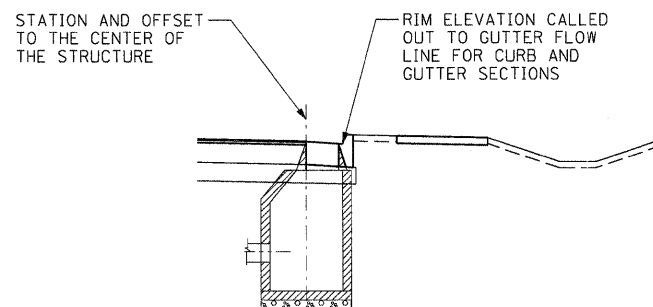
**ELEVATION**  
**FLARED END SECTION**



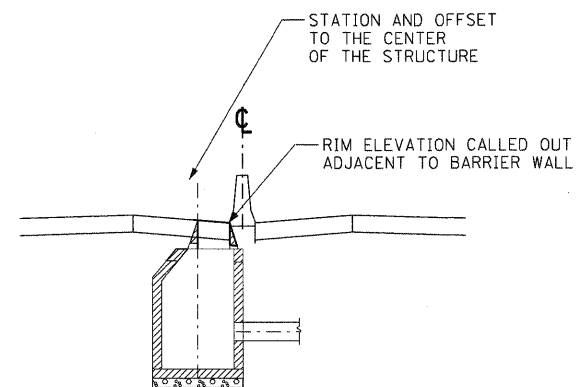
**ELEVATION**  
**INLET AND CATCH BASIN IN DITCH OR SWALE**



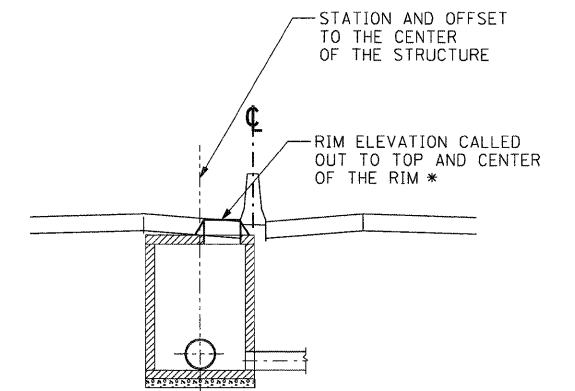
**ELEVATION**  
**INLET WITH CURB AND GUTTER**



**ELEVATION**  
**CATCH BASIN WITH CURB AND GUTTER (CONE AND FLAT SLAB TOP SECTIONS)**



**ELEVATION**  
**CATCH BASIN AND INLET IN MEDIAN**



\* FRAME & LIDS TO BE ORIENTED ADJACENT TO BARRIER WALL  
**ELEVATION**  
**MANHOLE IN MEDIAN (CONE AND FLAT SLAB TOP SECTIONS)**

\F5-004\4\AN\VALT.D-TRANS.B7\2202\21379-001\CIVIL\CAD\60H45\SHEET.DWG\60H45-SHT-DRNDET18.DWG  
 12-12-2011 13:13:33  
 BAJZEKKJ  
 TENG & ASSOCIATES, INC.  
 ENGINEERS/ARCHITECTS/PLANNERS  
 CHICAGO, ILLINOIS

FILE NAME = #FILEL#	USER NAME = #USER#	DESIGNED - SLH	REVISED -
		DRAWN - MRK	REVISED -
		CHECKED - TKL	REVISED -
		DATE - 12/16/11	REVISED -

**STATE OF ILLINOIS**  
**DEPARTMENT OF TRANSPORTATION**  
 FAP ROUTE 345 / US ROUTE 20

**DRAINAGE DETAILS - III**  
**DRAINAGE STRUCTURE PLACEMENT**

SCALE: N.T.S. SHEET NO. OF STA. TO STA.

F.A.P. RTE.	SECTION	COUNTY	TOTAL SHEETS	SHEET NO.
345	8R-R	KANE	794	283
CONTRACT NO. 60H45				
FED. ROAD DIST. NO. [ILLINOIS] FED. AID PROJECT				