

PAVEMENT MARKING LEGEND

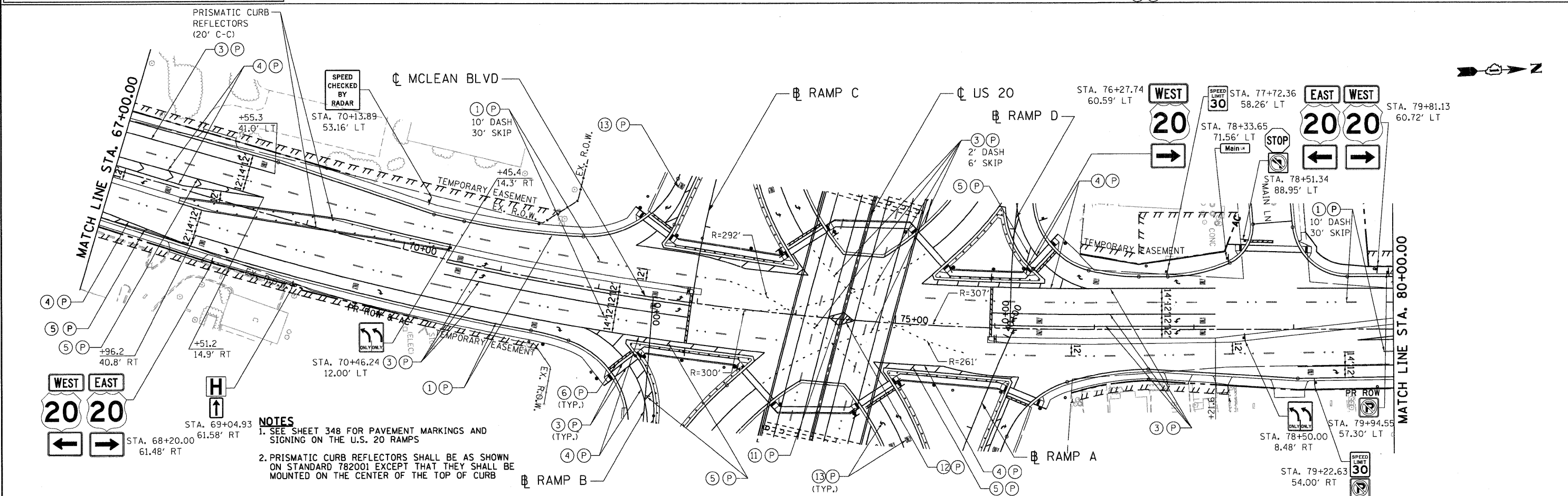
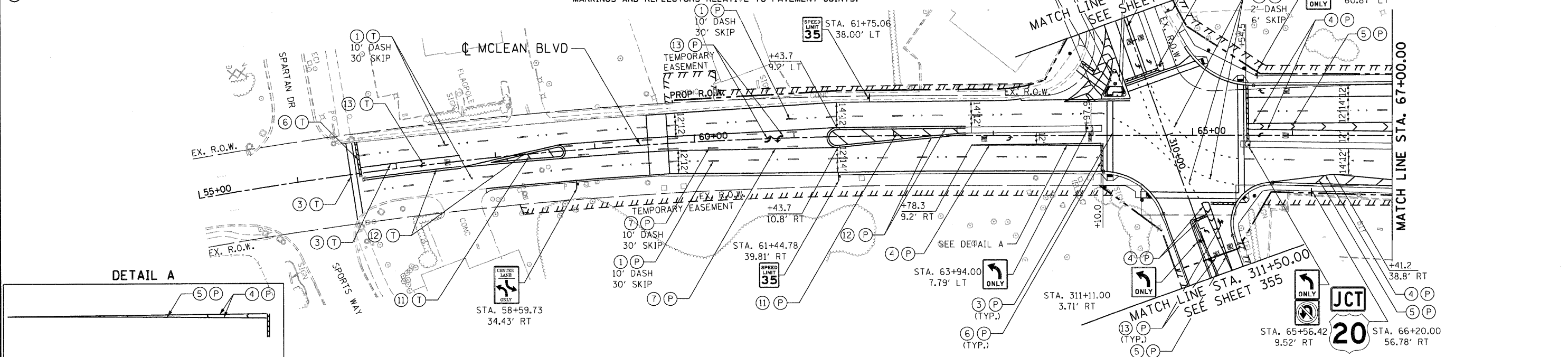
- ① PAVEMENT MARKING - LINE 4" WHITE
- ② PAVEMENT MARKING - LINE 5" WHITE
- ③ PAVEMENT MARKING - LINE 6" WHITE
- ④ PAVEMENT MARKING - LINE 8" WHITE
- ⑤ PAVEMENT MARKING - LINE 12" WHITE
- ⑥ PAVEMENT MARKING - LINE 24" WHITE
- ⑦ PAVEMENT MARKING - LINE 4" YELLOW
- ⑧ PAVEMENT MARKING - LINE 5" YELLOW
- ⑨ PAVEMENT MARKING - LINE 6" YELLOW
- ⑩ PAVEMENT MARKING - LINE 8" YELLOW
- ⑪ PAVEMENT MARKING - LINE 12" YELLOW
- ⑫ PAVEMENT MARKING - DOUBLE LINE 4" YELLOW
- ⑬ PAVEMENT MARKING - LETTERS AND SYMBOLS
- ⬤ RAISED REFLECTIVE PAVEMENT MARKERS (TWO-WAY AMBER)
- ⬤ RAISED REFLECTIVE PAVEMENT MARKERS (ONE-WAY CRYSTAL)
- ⬤ RAISED REFLECTIVE PAVEMENT MARKERS (ONE-WAY AMBER)
- P POLYUREA PVT MK
- T THPL PVT MK

SIGNING LEGEND

- EXISTING GROUND SIGN
- PROPOSED GROUND SIGN
- PROPOSED CANTILEVER
- SIGN EXISTING SIGN PANEL
- SIGN PROPOSED SIGN PANEL

NOTE

1. SEE DISTRICT DETAILS TC-12 AND TC-13 FOR ADDITIONAL PAVEMENT MARKING DETAILS. DISTRICT ONE DETAIL TC-12 SHALL APPLY TO THE PAVEMENT MARKING ON US ROUTE 20 EXCEPT THAT THE WIDTH OF THE LANE LINES SHALL BE 4". PAVEMENT MARKINGS AND REFLECTORS ARE SHOWN AT LONGITUDINAL PAVEMENT JOINTS. SEE DISTRICT DETAILS TC-12 AND TC-13 FOR LOCATION OF PAVEMENT MARKINGS AND REFLECTORS RELATIVE TO PAVEMENT JOINTS.



- NOTES**
- SEE SHEET 348 FOR PAVEMENT MARKINGS AND SIGNING ON THE U.S. 20 RAMPS
 - PRISMATIC CURB REFLECTORS SHALL BE AS SHOWN ON STANDARD 782001 EXCEPT THAT THEY SHALL BE MOUNTED ON THE CENTER OF THE TOP OF CURB

FILE NAME =	USER NAME = #USER#	DESIGNED - AMB	REVISED -	STATE OF ILLINOIS DEPARTMENT OF TRANSPORTATION FAP ROUTE 345 / US ROUTE 20				PAVEMENT MARKING AND SIGNING PLANS MCLEAN BOULEVARD				F.A.P. RTE.	SECTION	COUNTY	TOTAL SHEETS	SHEET NO.
#FILE#	PLOT SCALE = #SCALE#	DRAWN - AMB	REVISED -									345	8R-R	KANE	794	353
TENG TENG & ASSOCIATES, INC. ENGINEERS/ARCHITECTS/PLANNERS CHICAGO, ILLINOIS	PLOT DATE = #DATE#	CHECKED - DDH	REVISED -	SCALE: 1"=50'				SHEET NO. OF SHEETS STA. 55+00.00 TO STA. 80+00.00				FED. ROAD DIST. NO. ILLINOIS FED. AID PROJECT				
		DATE - 12/16/11	REVISED -					CONTRACT NO. 60H45								