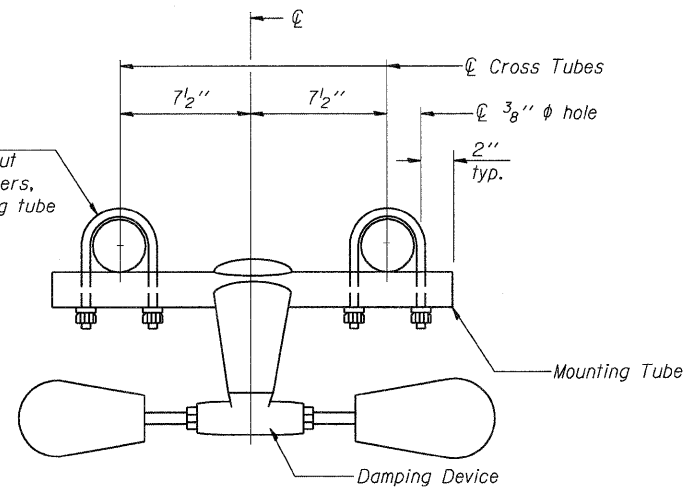
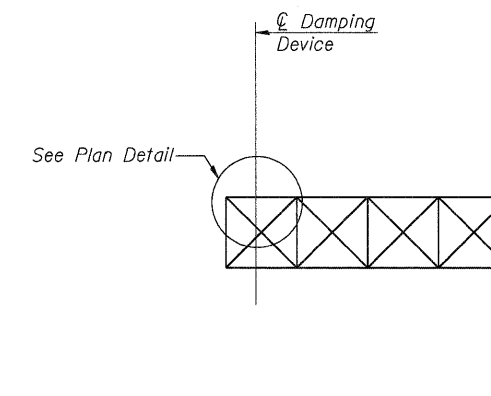


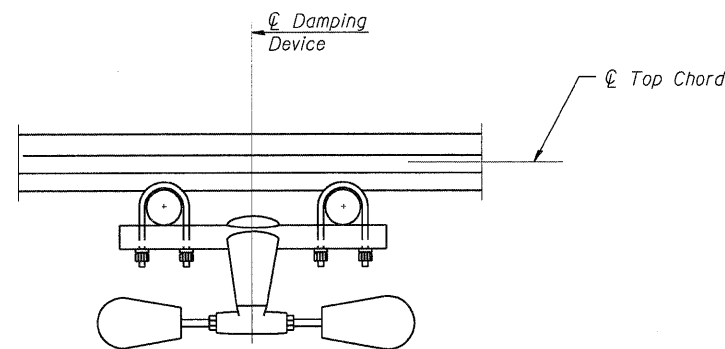
PLAN DETAIL



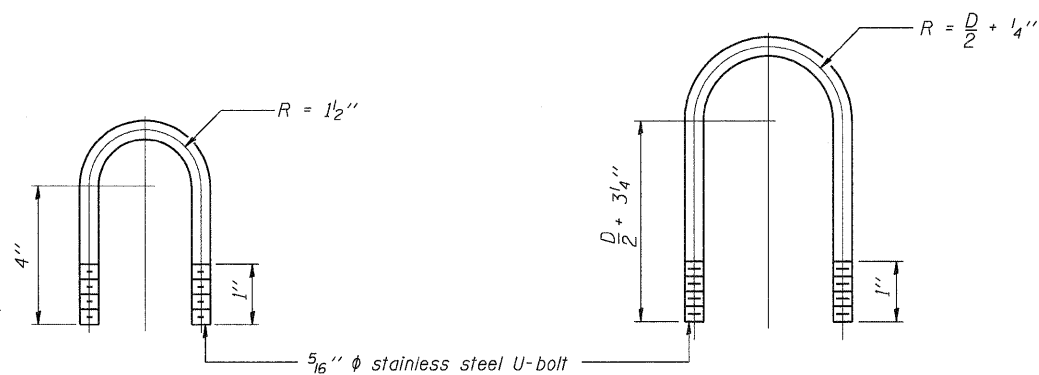
TRUSS DAMPING DEVICE CONNECTION DETAIL



ELEVATION
Aluminum Cantilever Sign Structure



SECTION A-A



DAMPING DEVICE MOUNTING TUBE U-BOLT DETAIL
(Typical)

TOP CHORD TO CROSS TUBE U-BOLT DETAIL
(Typical)

- GENERAL NOTES**
- Damper: One damper per truss. (31 lbs. Stockbridge-Type Aluminum-29" minimum between ends of weights)
 - Materials: Aluminum tubes shall be ASTM B221 alloy 6061 temper T6

OSC-A-D 7-1-10
 FILE NAME = USER# = #USER#
 #FILE# DESIGNED - AMB REVISED -
 DRAWN - AMB REVISED -
 CHECKED - MDB REVISED -
 PLOT SCALE = #SCALE# DATE - 12/16/11 REVISED -
 PLOT DATE = #DATE#

OSC-A-D

7-1-10

TENG TENG & ASSOCIATES, INC.
ENGINEERS/ARCHITECTS/PLANNERS
CHICAGO, ILLINOIS

STATE OF ILLINOIS
DEPARTMENT OF TRANSPORTATION
FAP ROUTE 345 / US ROUTE 20

CANTILEVER SIGN STRUCTURES
DAMPING DEVICE

SCALE: N.T.S. SHEET NO. SS-3 OF SS-14 STA. TO STA.

F.A.P. RTE. 345	SECTION 8R-R	COUNTY KANE	TOTAL SHEETS 794	SHEET NO. 360
CONTRACT NO. 60H45				
FED. ROAD DIST. NO. [ILLINOIS] FED. AID PROJECT				