

SIDE ELEVATION
(Showing Safety Chain W/O Sign)

FRONT ELEVATION

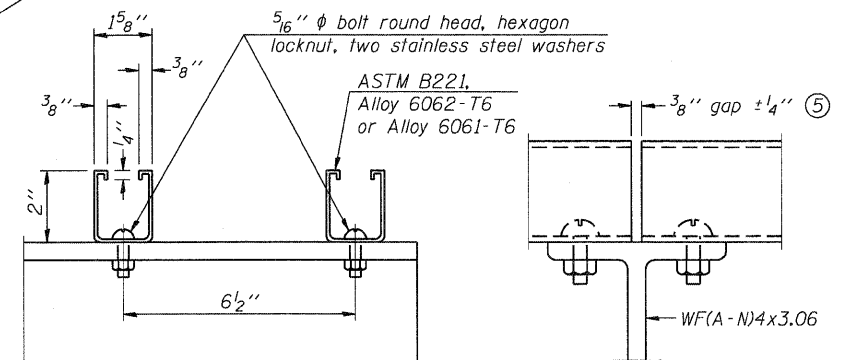
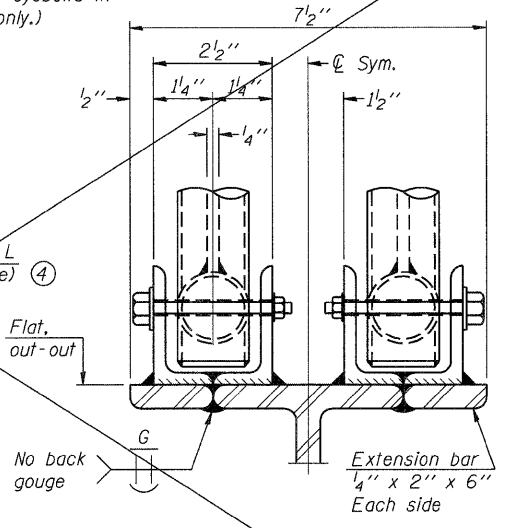
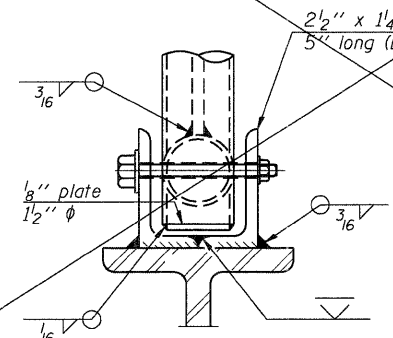
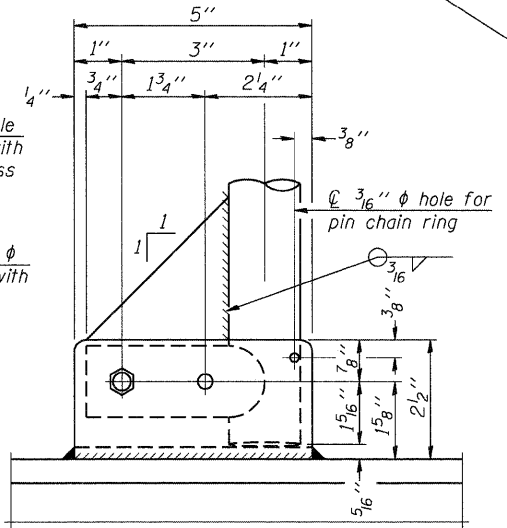
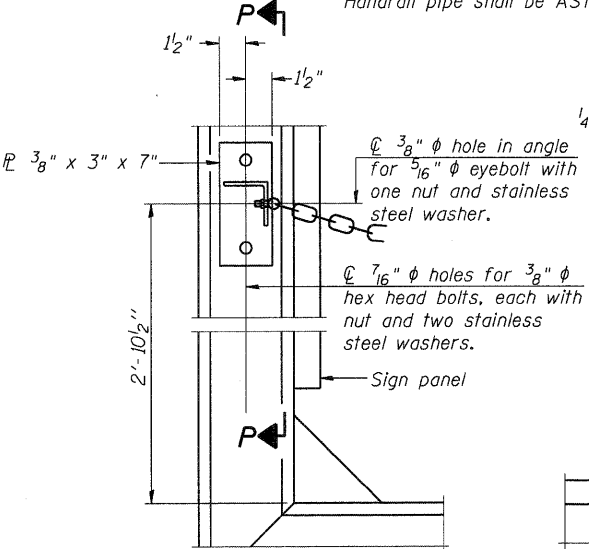
DETAIL F

DETAIL G

HANDRAIL DETAILS

Handrail pipe shall be ASTM B241 or B429, Alloy 6063-T6 or Alloy 6061-T6.

① Install standard force-fit end caps or weld 1/8" end plates with 1/8" c.f.w. and grind smooth. (All rail ends)
② Horizontal handrail member shall be continuous thru fitting. Provide 7/16" φ hole in fitting for 3/8" φ bolt. Field drill 7/16" φ hole in horizontal rail member. Provide locknut and two stainless steel washers for bolt. (Use 5/16" eyebolts in 7/16" φ holes on top rail at ends only.)



SECTION F-F

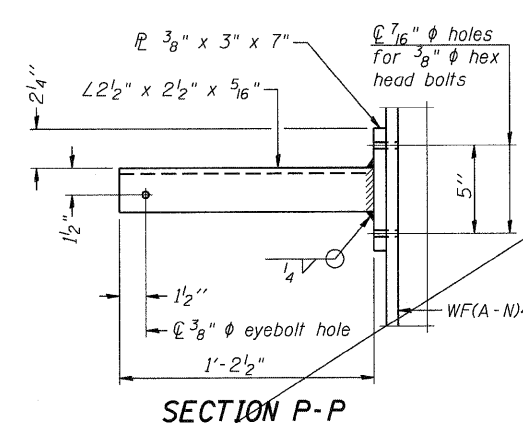
SECTION G-G

LIGHTING FIXTURE MOUNTS (IF REQUIRED)

⑤ Field cut ends of light support channels shall be free of burrs or hazardous projections and coated with zinc-rich primer or equivalent.

ALTERNATE SAFETY CHAIN ATTACHMENT
(With Sign Present)

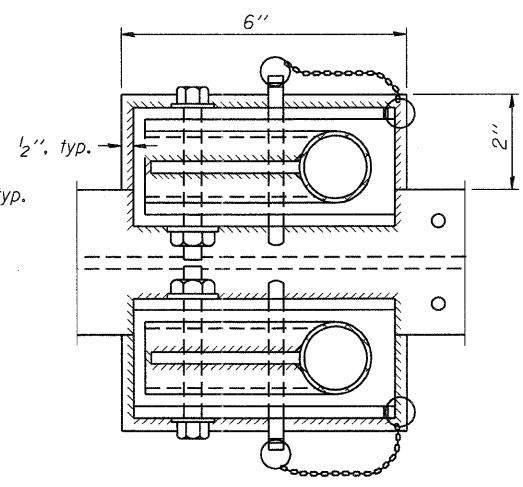
Items not shown same as "Side Elevation" of "Handrail Details"



SIDE ELEVATION

Drill and ream for 3/8" φ bolt with two hexagon locknuts and two stainless steel washers.
1/4" φ ring-grip quick release self-locking stainless steel pin
1 1/4" φ Sch. 40 aluminum pipe
2" typ.
3/8" φ pin keeper hole typ.
1 1/2" typ.

FRONT ELEVATION
Details not shown same as "ELEVATION" at right.

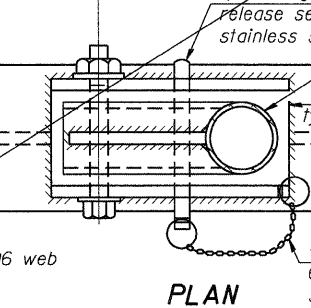


SIDE ELEVATION

Drill and ream for 3/8" φ bolt with two hexagon locknuts and two stainless steel washers.
1/4" φ ring-grip quick release self-locking stainless steel pin
1 1/4" φ Sch. 40 aluminum pipe
2" typ.
3/8" φ pin keeper hole typ.
1 1/2" typ.

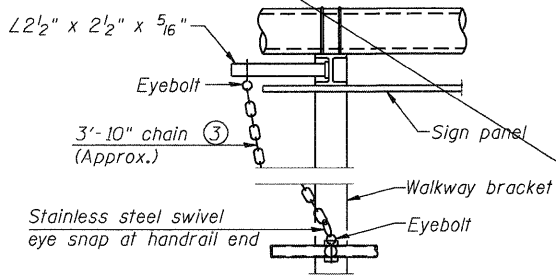
FRONT ELEVATION
Details not shown same as "ELEVATION" at right.

PLAN



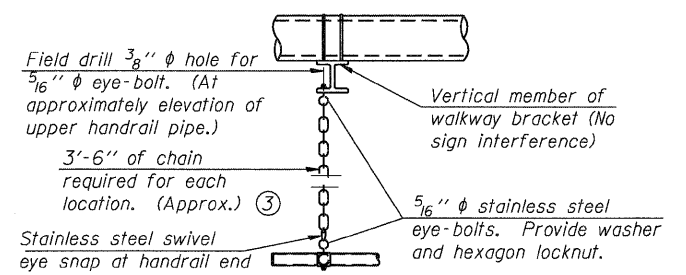
DETAIL E HANDRAIL HINGE

ELEVATION AT HANDRAIL JOINT ④
Details not shown same as "FRONT ELEVATION"



ALTERNATE SAFETY CHAIN ATTACHMENT
Details not shown similar to "Safety Chain" Details (Walkway omitted for clarity)

③ 3/16" Type 304L stainless steel chain, approximately 12 links per foot.
④ Extrusions may be used in lieu of the details shown, with approval of the Engineer.



SAFETY CHAIN

One required for each end of each walkway.

PLAN AT HANDRAIL JOINT
Details not shown same as "PLAN"

STATE OF ILLINOIS
DEPARTMENT OF TRANSPORTATION
FAP ROUTE 345 / US ROUTE 20

CANTILEVER SIGN STRUCTURES
HANDRAIL DETAILS
ALUMINUM TRUSS & STEEL POST
SCALE: N.T.S. SHEET NO. SS-8 OF SS-14 STA. TO STA.

F.A.P. RTE. 345	SECTION 8R-R	COUNTY KANE	TOTAL SHEETS 794	SHEET NO. 365
CONTRACT NO. 60H45				

OSC-A-8 7-1-10
 FILE NAME = USER NAME = #USER#
 #FILEL#
 DESIGNED - AMB REVISED -
 DRAWN - AMB REVISED -
 CHECKED - MDB REVISED -
 DATE - 12/16/11 REVISED -
 PLOT SCALE = #SCALE#
 PLOT DATE = #DATE#
 TENG & ASSOCIATES, INC.
 ENGINEERS/ARCHITECTS/PLANNERS
 CHICAGO, ILLINOIS