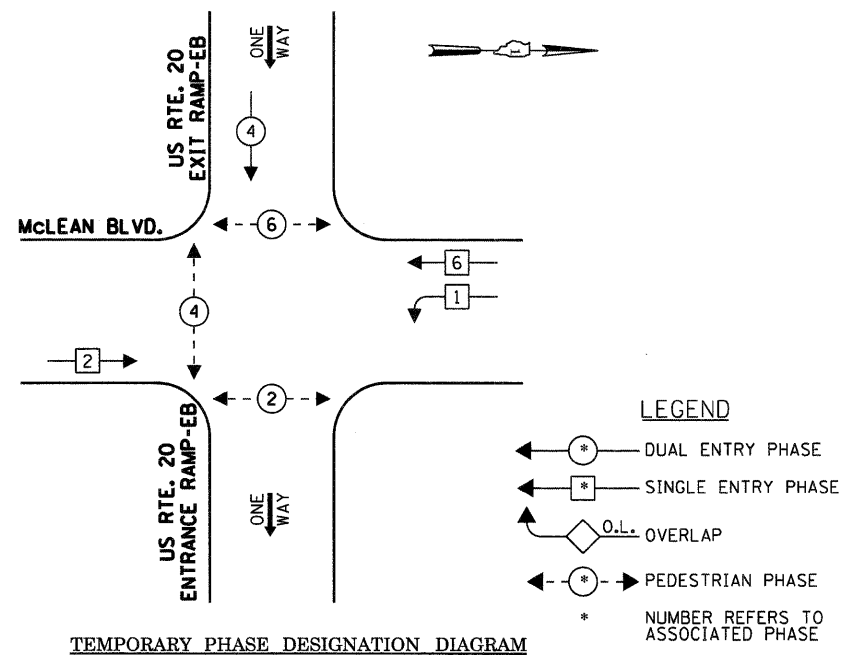
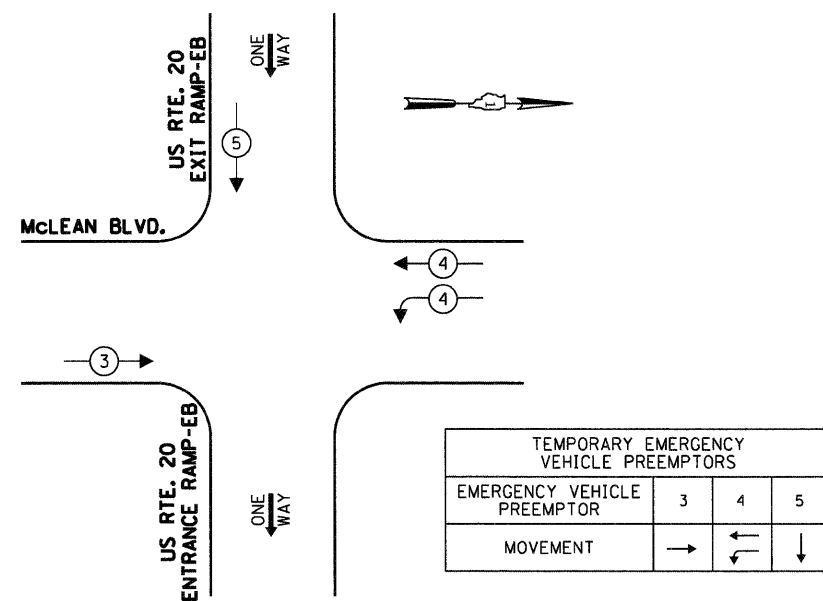


CONTROLLER SEQUENCE



TEMPORARY PHASE DESIGNATION DIAGRAM

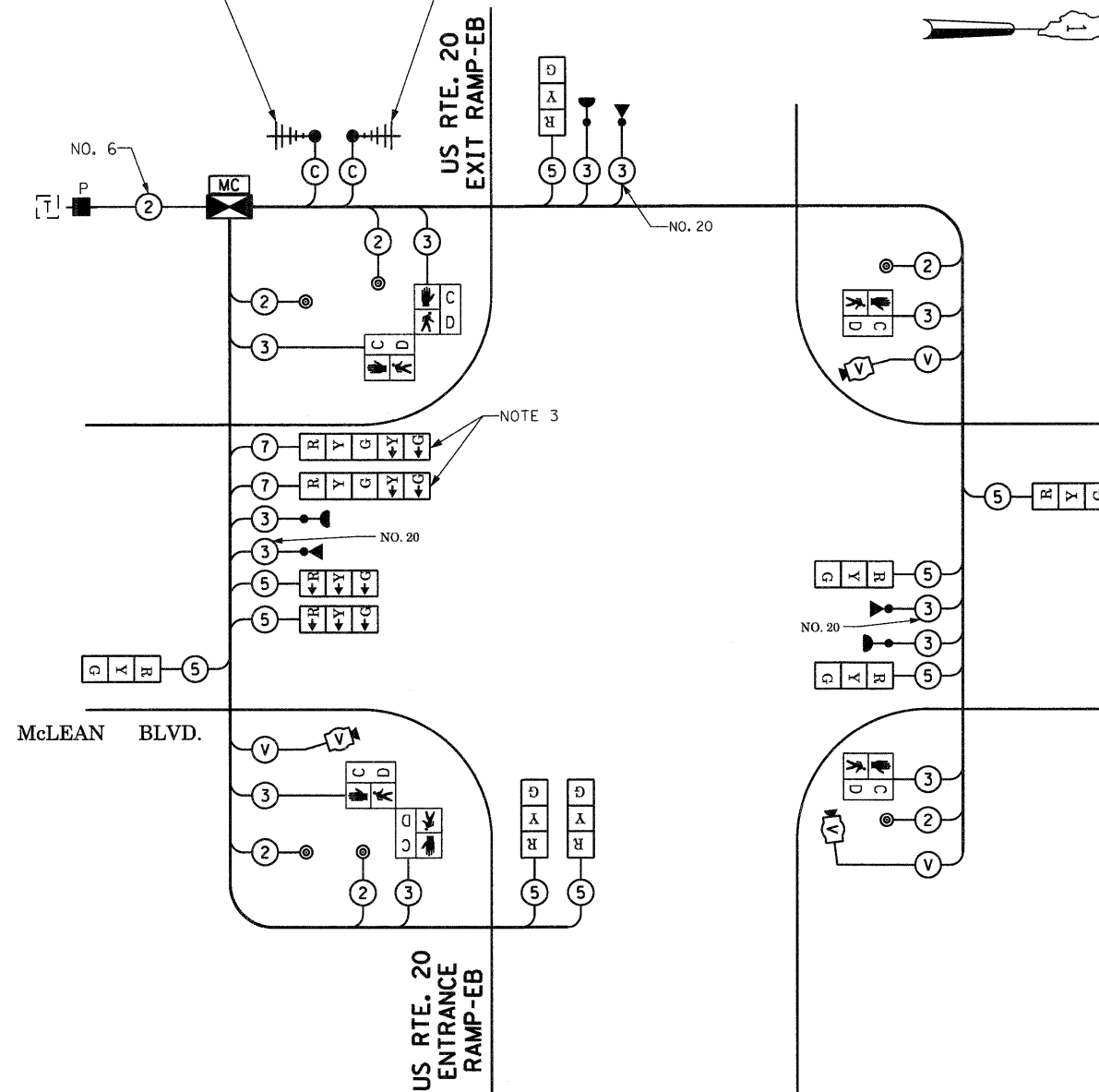
TEMPORARY EMERGENCY VEHICLE PREEMPTION SEQUENCE



STAGES: II.3A, II.3B, II.4A & II.4B

TEMPORARY RADIO INTERCONNECT TO FLEETWOOD DR. (SEE TEMPORARY INTERCONNECT PLANS)

TEMPORARY RADIO INTERCONNECT TO NORTH RAMPS OF US RTE. 20 (SEE TEMPORARY INTERCONNECT PLANS)



TEMPORARY CABLE PLAN

(NOT TO SCALE)

STAGES: II.3A, II.3B, II.4A & II.4B

I.D.O.T. TRAFFIC SIGNAL INSTALLATION ELECTRICAL SERVICE REQUIREMENTS						TOTAL WATTAGE
TYPE	NO LAMPS	WATTAGE		%OPERATION		
SIGNAL (RED)	11	135	17	0.50		93.50
(YELLOW)	11	135	25	0.25		68.75
(GREEN)	11	135	15	0.25		41.25
ARROW		135	12	0.10		
PED. SIGNAL	6	90	25	1.00		150
CONTROLLER	1	100	100	1.00		100
ILLUM. SIGN				0.05		
VIDEO SYSTEM	1	150		1.00		150
FLASHER					0.50	
ENERGY COSTS TO:					TOTAL =	603.50
CITY OF ELGIN 150 DEXTER COURT ELGIN, ILLINOIS 60120-5570						
ENERGY SUPPLY CONTACT: ELLIE SARALLO PHONE: (630) 424 5124 COMPANY: COMMONWEALTH EDISON						

- NOTE 1: A MASTER CONTROLLER SHALL BE SUPPLIED AT THIS INTERSECTION, THE COST OF WHICH SHALL BE INCLUDED IN THE CONTRACT UNIT PRICE FOR "TEMPORARY TRAFFIC SIGNAL INSTALLATION".
- NOTE 2: THE TELEPHONE SERVICE MUST BE MAINTAINED AT THIS TEMPORARY TRAFFIC SIGNAL INSTALLATION. THIS ITEM OF WORK WILL NOT BE PAID FOR SEPARATELY BUT SHALL BE INCLUDED IN THE CONTRACT UNIT PRICE FOR "TEMPORARY TRAFFIC SIGNAL INSTALLATION".
- NOTE 3: DURING CONSTRUCTION STAGES II.3A, II.3B, II.4A AND II.4B THE GREEN AND YELLOW LEFT ARROW INDICATION SECTIONS FOR THE SOUTHBOUND DIRECTION OF TRAFFIC SHALL BE BAGGED AND DISCONNECTED AT THE CONTROLLER.

THE TRAFFIC SIGNAL CONTROL EQUIPMENT FOR THIS PROJECT SHALL BE "EAGLE" TO MATCH THE EXISTING ADJACENT SYSTEM.

STATE OF ILLINOIS
DEPARTMENT OF TRANSPORTATION

TEMPORARY CABLE PLAN, TEMPORARY PHASE DESIGNATION DIAGRAM, AND TEMPORARY EMERGENCY VEHICLE PREEMPTION SEQUENCE McLEAN BOULEVARD AT SOUTH RAMPS OF US RTE. 20 STAGE II.3A, STAGE II.3B, STAGE II.4A AND STAGE II.4B (SHEET 4 OF 4)				F.A.P. RTE. 345	SECTION 8R-R	COUNTY KANE	TOTAL SHEETS 794	SHEET NO. 408
SCALE: N.T.S. SHEET NO. OF SHEETS STA. TO STA.				CONTRACT NO. 60H45				
FED. ROAD DIST. NO. ILLINOIS FED. AID PROJECT								