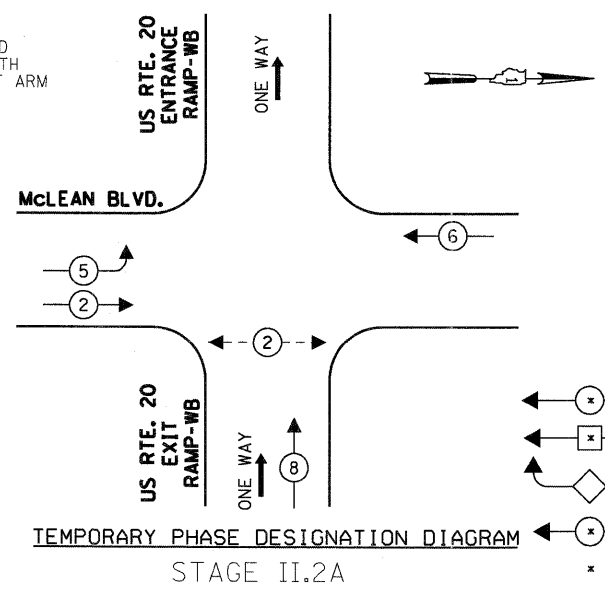


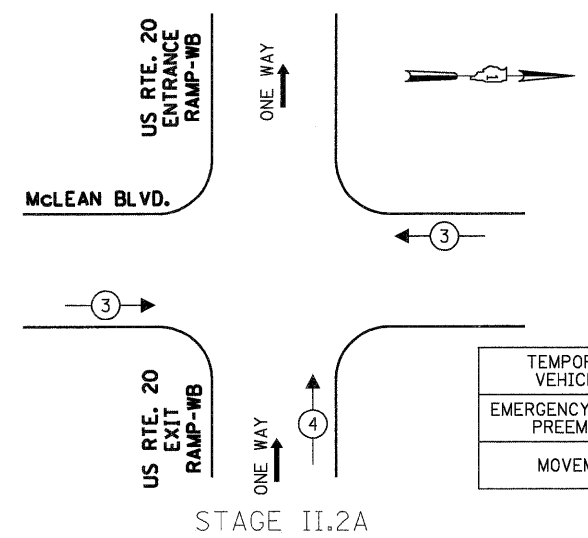
TEMPORARY CABLE PLAN
(NOT TO SCALE)
STAGE II.2A

SIGNAL HEAD PLACEMENTS FOR STAGE II.2A

CONTROLLER SEQUENCE



TEMPORARY EMERGENCY VEHICLE PREEMPTION SEQUENCE



THE TRAFFIC SIGNAL CONTROL EQUIPMENT FOR THIS PROJECT SHALL BE "EAGLE" TO MATCH THE EXISTING ADJACENT SYSTEM.

TEMPORARY EMERGENCY VEHICLE PREEMPTORS	
EMERGENCY VEHICLE PREEMPTOR	3 4
MOVEMENT	← → ↑

LEGEND

TEMPORARY CONCRETE BARREL WITH POST FOR SIGNAL HEAD, PEDESTRIAN SIGNALS AND PUSH-BUTTONS

I.D.O.T. TRAFFIC SIGNAL INSTALLATION ELECTRICAL SERVICE REQUIREMENTS					
TYPE	NO LAMPS	WATTAGE		OPERATION	TOTAL WATTAGE
		INCAND.	LED		
SIGNAL (RED)	9	135	17	0.50	76.5
(YELLOW)	9	135	25	0.25	56.25
(GREEN)	9	135	15	0.25	33.75
ARROW	4	135	12	1.00	4.8
PED. SIGNAL	2	90	25	1.00	50
CONTROLLER	1	100	100	1.00	100
ILLUM. SIGN				0.05	
VIDEO SYSTEM	1	150		1.00	150
FLASHER				0.50	
ENERGY COSTS TO:					TOTAL =
CITY OF ELGIN 150 DEXTER COURT ELGIN, ILLINOIS 60120-5570					471.3
ENERGY SUPPLY CONTACT: ELLIE SARALLO PHONE: (630) 424 5124 COMPANY: COMMONWEALTH EDISON					