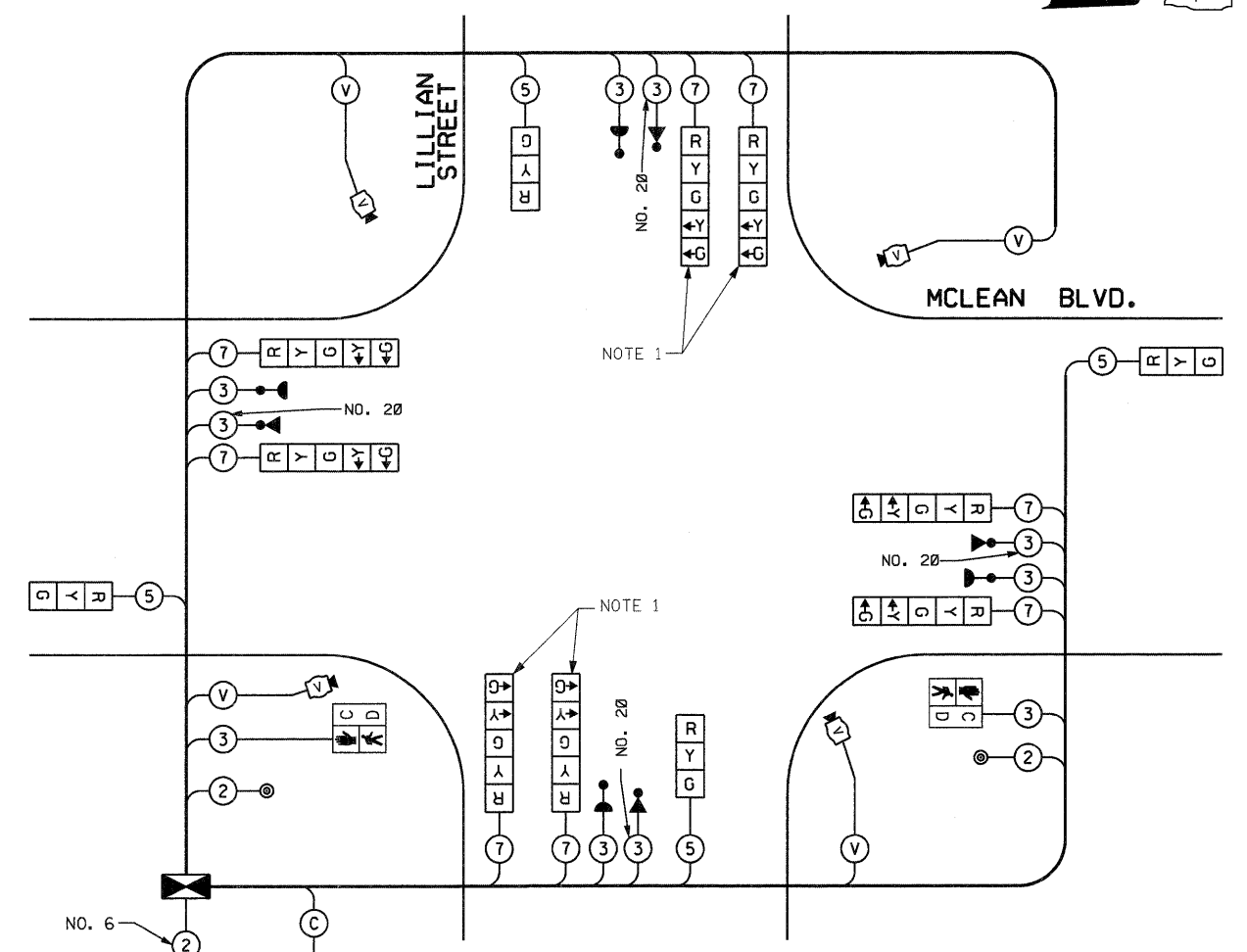


LEGEND
 TEMPORARY CONCRETE BARREL WITH POST FOR SIGNAL HEAD, PEDESTRIAN SIGNALS AND PUSH-BUTTONS

SIGNAL HEAD PLACEMENTS FOR STAGES: II.2A AND II.2B

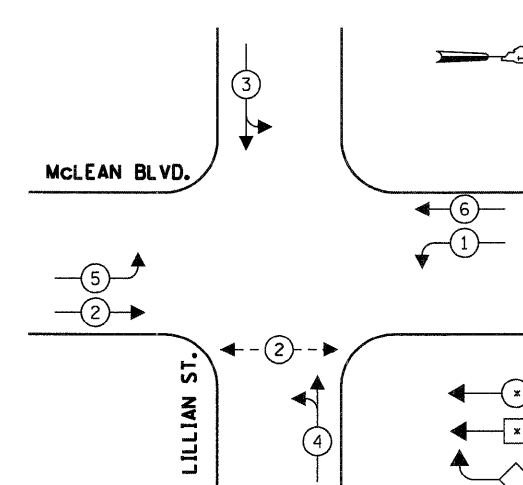


TEMPORARY CABLE PLAN

STAGES: II.2A AND II.2B
 (NOT TO SCALE)

THE TRAFFIC SIGNAL CONTROL EQUIPMENT FOR THIS PROJECT SHALL BE "EAGLE" TO MATCH THE EXISTING ADJACENT SYSTEM.

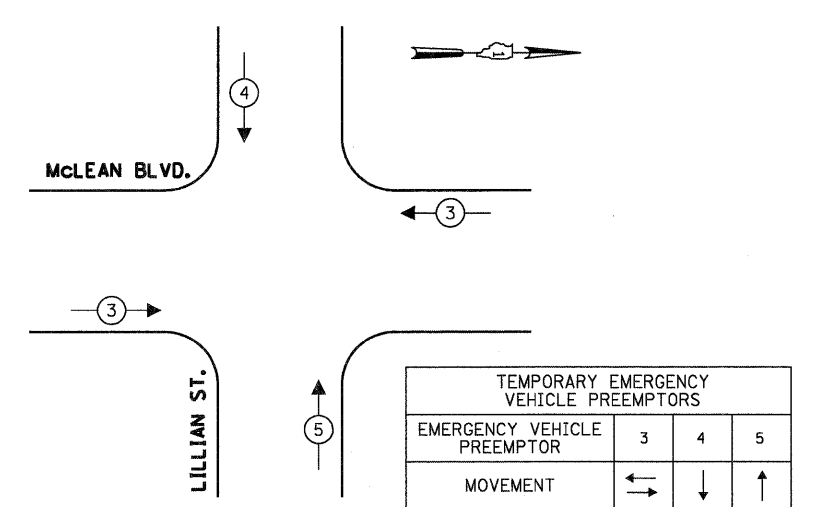
CONTROLLER SEQUENCE



TEMPORARY PHASE DESIGNATION DIAGRAM

STAGES: II.2A AND II.2B

TEMPORARY EMERGENCY VEHICLE PREEMPTION SEQUENCE



STAGES: II.2A AND II.2B

I.D.O.T. TRAFFIC SIGNAL INSTALLATION ELECTRICAL SERVICE REQUIREMENTS					
TYPE	NO LAMPS	WATTAGE		%OPERATION	TOTAL WATTAGE
SIGNAL (RED)	12	135	17	0.50	102
	(YELLOW)	12	135	0.25	75
	(GREEN)	16	135	0.25	60
ARROW	8	135	12	0.10	9.6
PED. SIGNAL	2	90	25	1.00	50
CONTROLLER	1	100	100	1.00	100
ILLUM. SIGN				0.05	
VIDEO SYSTEM	1	150		1.00	150
FLASHER				0.50	
TOTAL =					546.6

ENERGY COSTS TO:
 CITY OF ELGIN
 150 DEXTER COURT
 ELGIN, ILLINOIS 60120-5570

ENERGY SUPPLY CONTACT: **ELLIE SARALLO**
 PHONE: (630) 424 5124
 COMPANY: COMMONWEALTH EDISON

NOTE 1: THE YELLOW LEFT ARROW INDICATION SECTION IN THE 5-SECTION SIGNAL HEADS FOR THE EASTBOUND AND WESTBOUND DIRECTION SHALL BE BAGGED AND DISCONNECTED AT THE CONTROLLER DURING CONSTRUCTION II.2A AND II.2B.

STATE OF ILLINOIS
 DEPARTMENT OF TRANSPORTATION

TEMPORARY TRAFFIC SIGNAL INSTALLATION, TEMPORARY CABLE PLAN, TEMPORARY PHASE DESIGNATION DIAGRAM, AND TEMPORARY EMERGENCY VEHICLE PREEMPTION SEQUENCE
 McLEAN BOULEVARD AT LILLIAN STREET
 STAGE II.2A AND STAGE II.2B (SHEET 4 OF 8)

F.A.P. RTE. 345	SECTION BR-R	COUNTY KANE	TOTAL SHEETS 794	SHEET NO. 429
FED. ROAD DIST. NO. - ILLINOIS			CONTRACT NO. 60H45	

FILE NAME =	USER NAME = #USER#	DESIGNED - PKG	REVISED -
#FILEL#	PLOT SCALE = #SCALE#	DRAWN - MAA, EA	REVISED -
	PLOT DATE = #DATE#	CHECKED - PKG	REVISED -
		DATE - 02/10/2012	REVISED -