

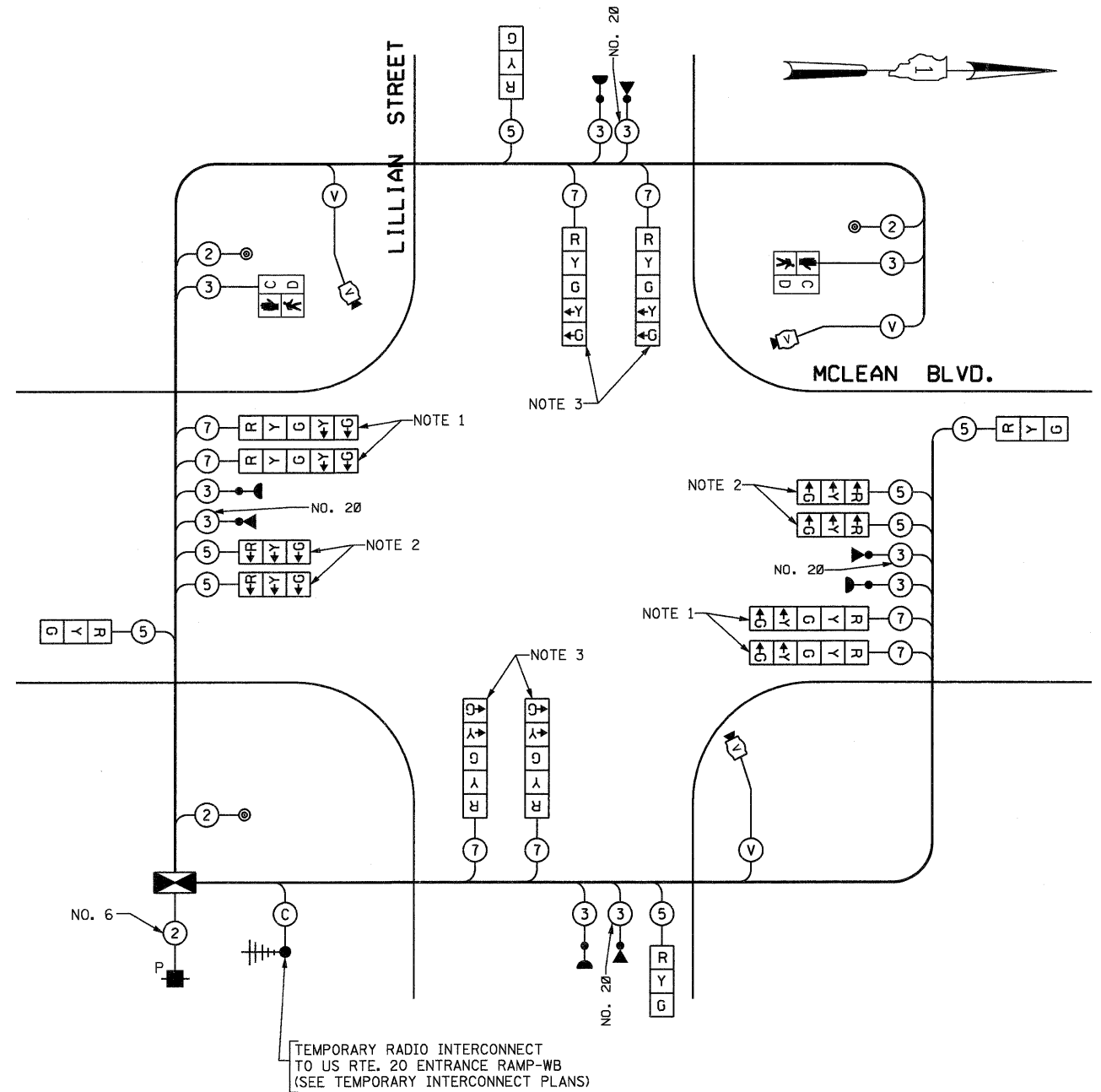
**LEGEND**  
 TEMPORARY CONCRETE BARREL WITH POST  
 FOR SIGNAL HEAD, PEDESTRIAN SIGNALS  
 AND PUSH-BUTTONS

ⓑ

SIGNAL HEAD PLACEMENTS FOR STAGES: II.3A AND II.3B

Ⓐ  
 LEFT ON GREEN  
 ARROW  
 ONLY  
 R10-5,  
 24" X 30"  
 (2 REQUIRED)

- NOTE 1: DURING CONSTRUCTION STAGES II.3A, AND II.3B, THE GREEN AND YELLOW LEFT ARROW INDICATION SECTIONS FOR THE NORTHBOUND AND SOUTHBOUND DIRECTION OF TRAFFIC SHALL BE BAGGED AND DISCONNECTED AT THE CONTROLLER. THEY SHALL BE UNBAGGED AND CONNECTED AT THE CONTROLLER AFTER CONSTRUCTION STAGE II.3B AS NEEDED IN THE SUBSEQUENT STAGE.
- NOTE 2: THESE SIGNAL HEADS WITH ALL ARROW INDICATIONS SHALL BE BAGGED AND DISCONNECTED AT THE CONTROLLER AFTER CONSTRUCTION STAGE II.3B.
- NOTE 3: THE YELLOW LEFT ARROW INDICATION SECTION IN THE 5-SECTION SIGNAL HEADS FOR THE EASTBOUND AND WESTBOUND DIRECTION SHALL REMAIN BAGGED AND DISCONNECTED AT THE CONTROLLER THRU CONSTRUCTION STAGE II.3A AND STAGE II.3B
- NOTE 4: ALL THE VIDEO DETECTION ZONES SHALL BE REDEFINED FOR EACH CONSTRUCTION STAGE. THE COST FOR THIS WORK SHALL BE INCLUDED IN THE CONTRACT UNIT PRICE FOR "TEMPORARY TRAFFIC SIGNAL INSTALLATION".



**TEMPORARY CABLE PLAN**  
 STAGES: II.3A AND II.3B  
 (NOT TO SCALE)

THE TRAFFIC SIGNAL CONTROL EQUIPMENT FOR THIS PROJECT SHALL BE "EAGLE" TO MATCH THE EXISTING ADJACENT SYSTEM.

I.D.O.T. TRAFFIC SIGNAL INSTALLATION ELECTRICAL SERVICE REQUIREMENTS				TOTAL WATTAGE	
TYPE	NO LAMPS	WATTAGE		%OPERATION	
		INCAND.	LED		
SIGNAL (RED)	16	135	17	0.50	136
(YELLOW)	16	135	25	0.25	100
(GREEN)	20	135	15	0.25	75
ARROW		135	12	0.10	
PED. SIGNAL	2	90	25	1.00	50
CONTROLLER	1	100	100	1.00	100
ILLUM. SIGN				0.05	
VIDEO SYSTEM	1	150		1.00	150
FLASHER				0.50	
ENERGY COSTS TO:				TOTAL =	611.0
CITY OF ELGIN 150 DEXTER COURT ELGIN, ILLINOIS 60120-5570					
ENERGY SUPPLY CONTACT: ELLIE SARALLO PHONE: (630) 424 5124 COMPANY: COMMONWEALTH EDISON					

FILE NAME =	USER NAME = #USER#	DESIGNED - PKG	REVISED -
#FILE#		DRAWN - MAA, EA	REVISED -
	PLOT SCALE = #SCALE#	CHECKED - PKG	REVISED -
	PLOT DATE = #DATE#	DATE - 02/10/2012	REVISED -

STATE OF ILLINOIS  
 DEPARTMENT OF TRANSPORTATION

TEMPORARY TRAFFIC SIGNAL INSTALLATION  
 AND TEMPORARY CABLE PLAN,  
 McLEAN BOULEVARD AT LILLIAN STREET  
 STAGE II.3A AND STAGE II.3B (SHEET 5 OF 8)

SCALE: 1"=20' SHEET NO. OF SHEETS STA. TO STA.

F.A.P. RTE.	SECTION	COUNTY	TOTAL SHEETS	SHEET NO.
345	8R-R	KANE	794	430
CONTRACT NO. 60H45				
FED. ROAD DIST. NO. - ILLINOIS FED. AID PROJECT				