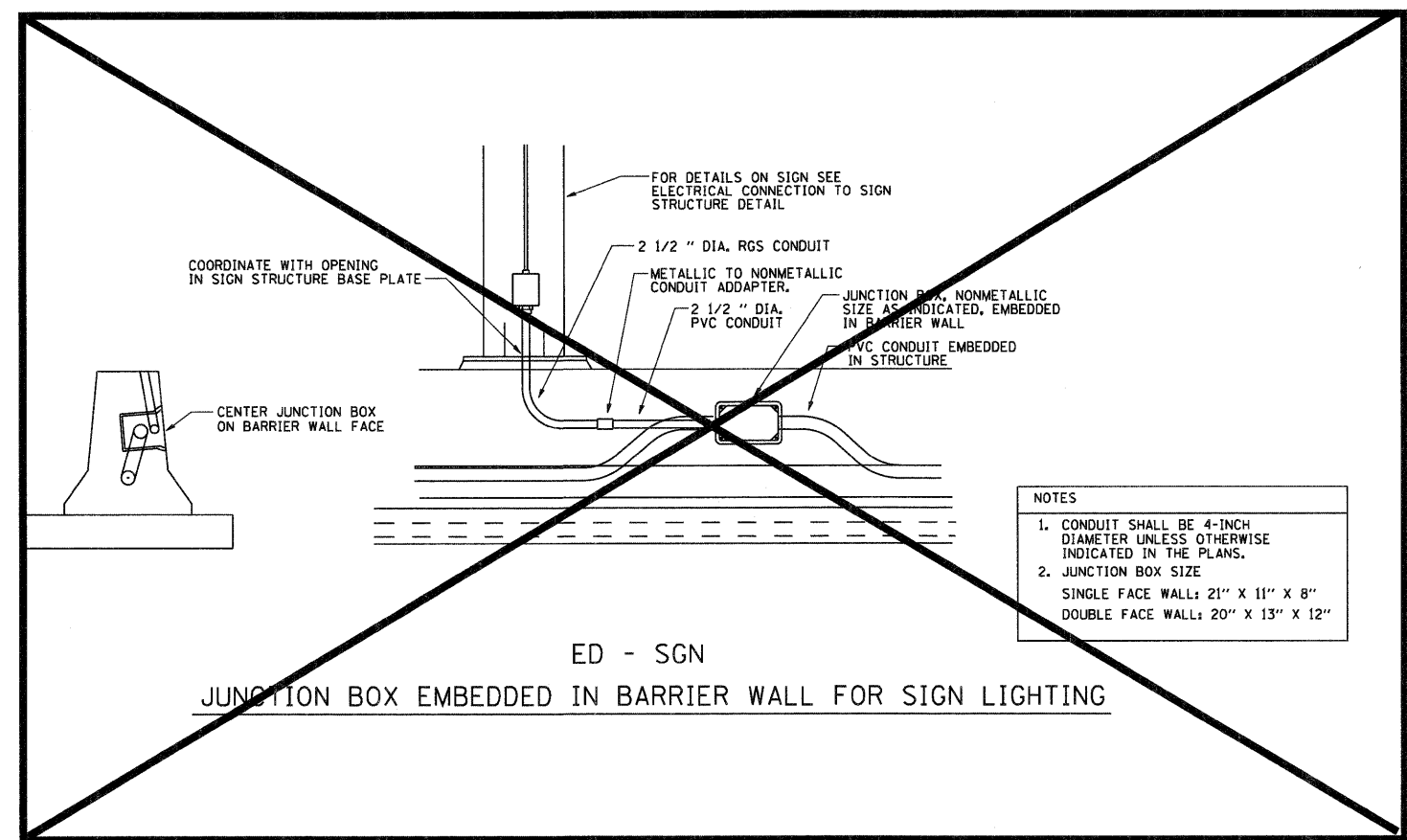
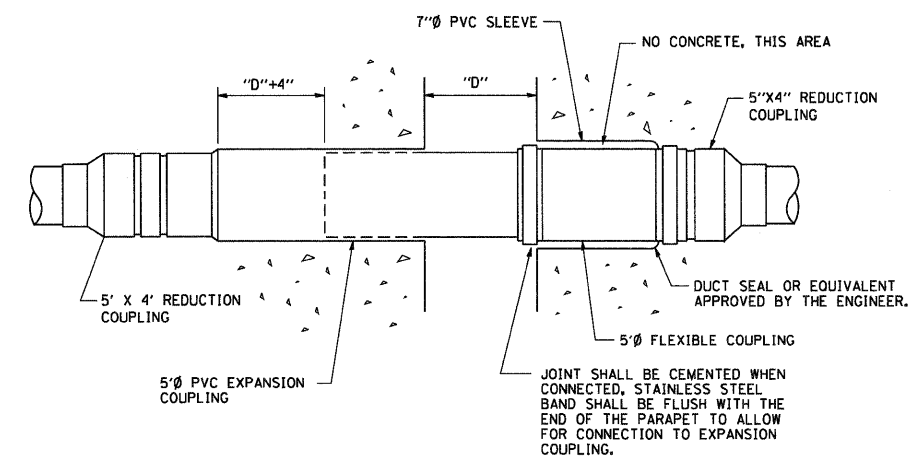


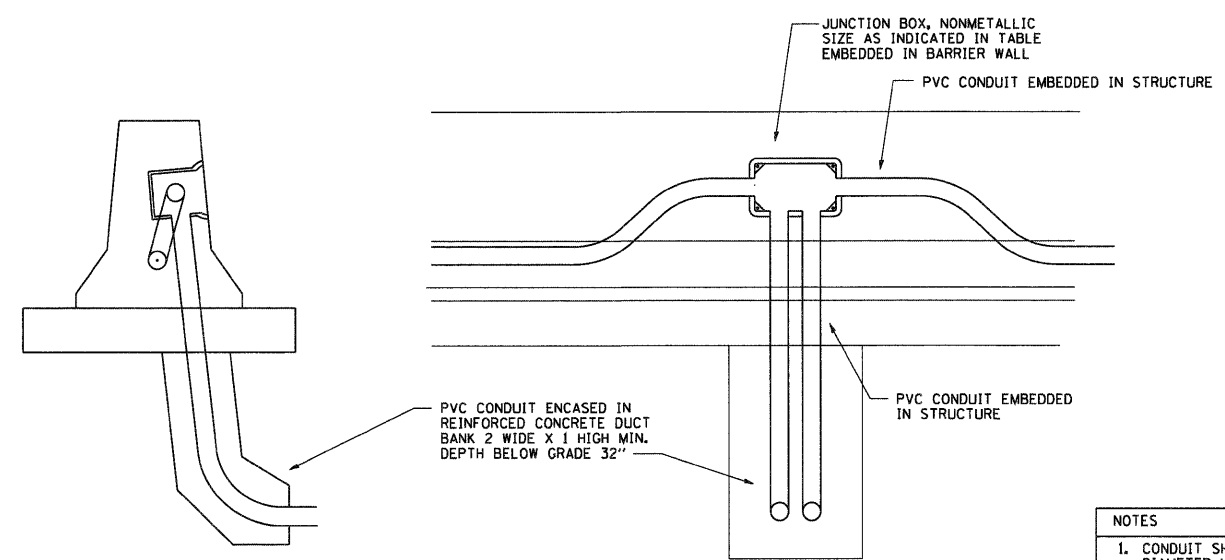
ED - BWD
ELECTRIC CONNECTION TO UNDERPASS LIGHTING



ED - SGN
JUNCTION BOX EMBEDDED IN BARRIER WALL FOR SIGN LIGHTING



INSTALLATION OF CONDUIT
IN BRIDGE PARAPET EXPANSION JOINT
(N.T.S.)



ED - BW
JUNCTION BOX EMBEDDED IN BARRIER WALL

FILE NAME = be703.dgn	USER NAME = geglianobt	DESIGNED -	REVISED -	STATE OF ILLINOIS DEPARTMENT OF TRANSPORTATION	MISCELLANEOUS ELECTRICAL DETAILS, SHEET B		F.A.P. RTE.	SECTION	COUNTY	TOTAL SHEETS	SHEET NO.
	PLOT SCALE = 50,0000' / IN.	DRAWN -	REVISED -		J BOX EMBEDDED IN BARRIER WALL - INSTALLATION OF CONDUIT IN BRIDGE PARAPET EXPANSION JOINT - ELECTRIC CONNECTION TO UNDERPASS LIGHTING	345	BR-R	KANE	794	468	
PLOT DATE = 2/6/2009	DATE = 01-20-2009	CHECKED -	REVISED -	SCALE: NONE	SHEET NO. 1 OF 1 SHEETS	STA. TO STA.	BE-703		CONTRACT NO. 60H45		
							FED. ROAD DIST. NO. 1 ILLINOIS FED. AID PROJECT				