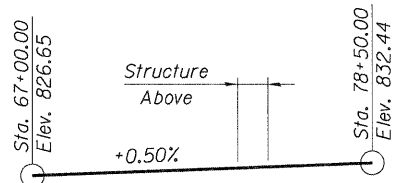
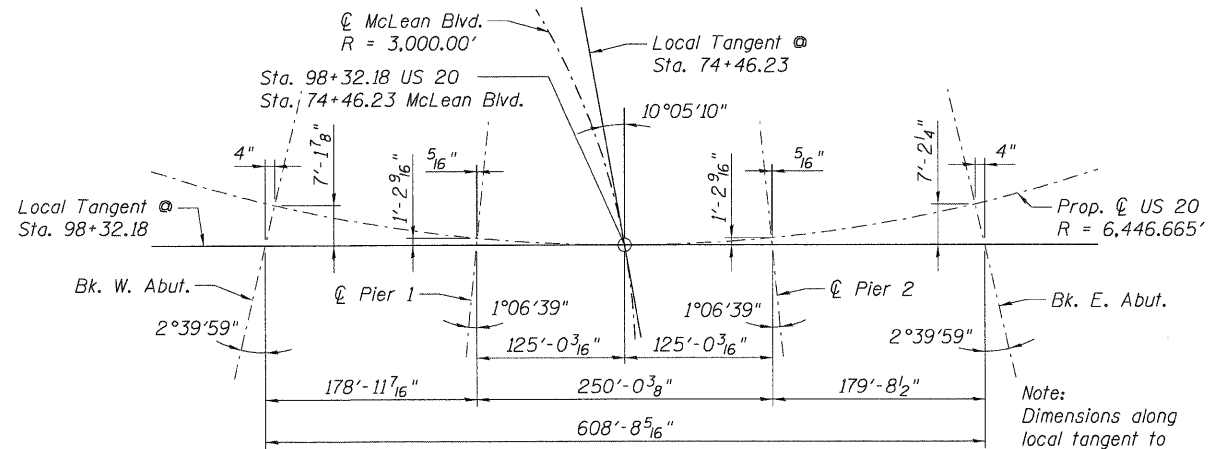


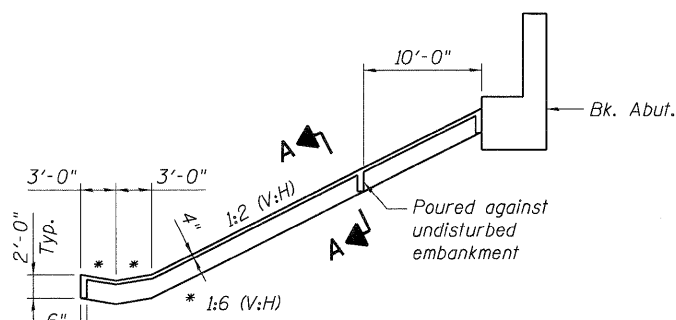
PROFILE GRADE
(WB/EB US 20 PGL)



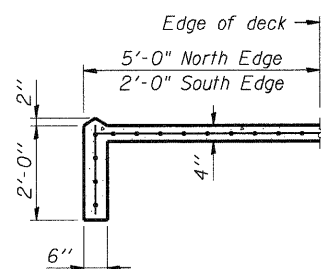
PROFILE GRADE
(NB/SB McLean Boulevard PGL)



OFFSET SKETCH

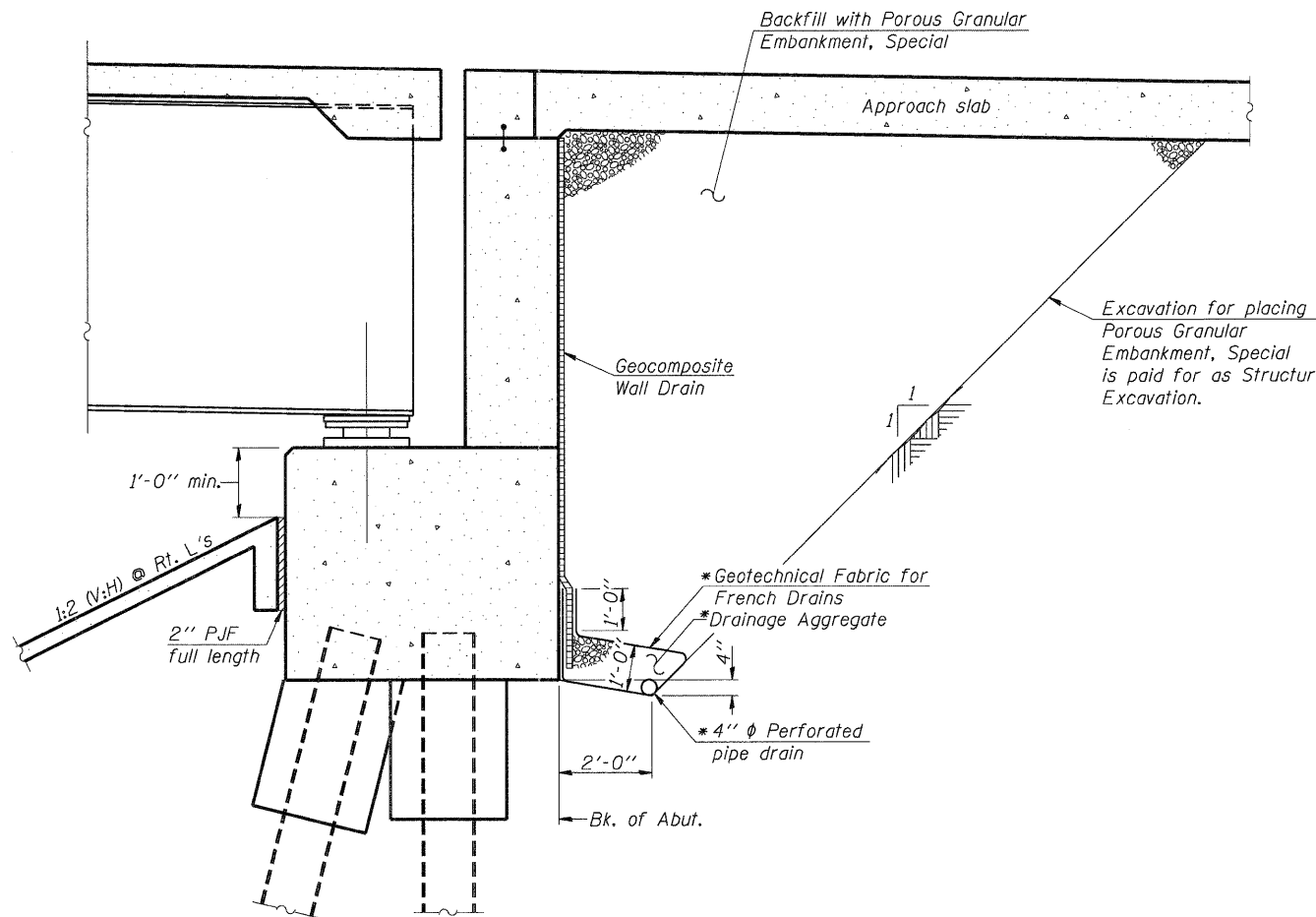


SECTION THROUGH SLOPEWALL
(Horizontal dimensions at right angles)



SECTION A-A

Note:
Slope wall shall be reinforced with welded wire fabric,
6 in. x 6 in. - W4.0 x W4.0, weighing 58 lbs. per
100 sq. ft.



**SECTION THRU PILE SUPPORTED
STUB ABUTMENT**
(Horiz. dim. @ Rt. L's)

* Included in the cost of Pipe Underdrains for Structures.

Note:
All drainage system components shall extend parallel to the
abutment back wall until they intersect the wingwalls. The
pipe shall extend under the wingwall, until intersecting the
side slopes. The pipes shall drain into concrete headwalls.
(See Article 601.05 of the Standard Specifications and
Highway Standard 601101).

STATION 98+32.18
BUILT 2011 BY
STATE OF ILLINOIS
F.A.P. Route 345
Section 8R-R
LOADING HL-93
STRUCTURE NO. 045-0077

NAME PLATE
See Std. 515001

\\FS-0014\AMV\VAULT.D-TRANS.07122002\21075-001\STRUCT\CAD\60H45\0450077\SHEET\0450077-60H45-002-GENNOTE.SHT.DGN
 12/12/2011 10:37:55
 BA\ZEEKJ

FILE NAME =	USER NAME = *USER*	DESIGNED - MDB	REVISED -	STATE OF ILLINOIS DEPARTMENT OF TRANSPORTATION US 20 OVER MCLEAN BOULEVARD	VERTICAL PROFILES, OFFSET SKETCH AND SLOPEWALL DETAILS			F.A.P. RTE. 345	SECTION 8R-R	COUNTY KANE	TOTAL SHEETS 794	SHEET NO. 475
FILEL		DRAWN - MDB	REVISED -		SCALE:	SHEET NO. S-3	OF S-62	STATION 98+32.18	SN 045-0077		CONTRACT NO. 60H45	
		CHECKED - PK	REVISED -					FED. ROAD DIST. NO. 7 ILLINOIS FED. AID PROJECT				
		DATE - 12/16/11	REVISED -									

