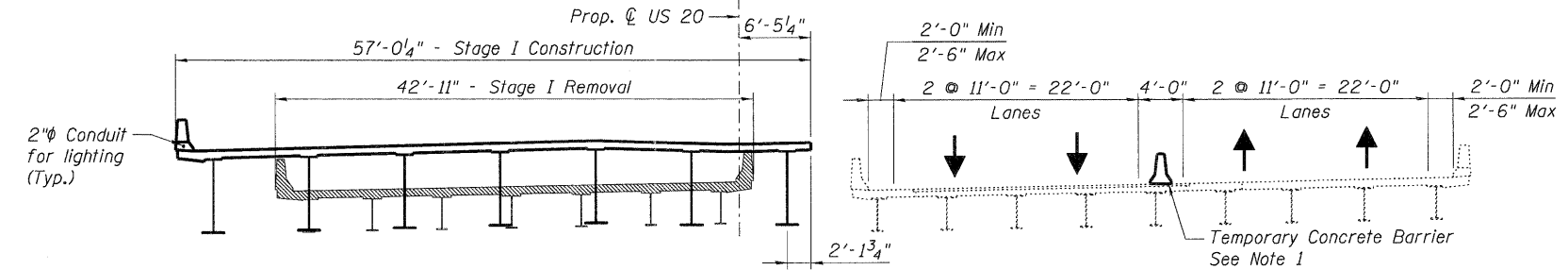
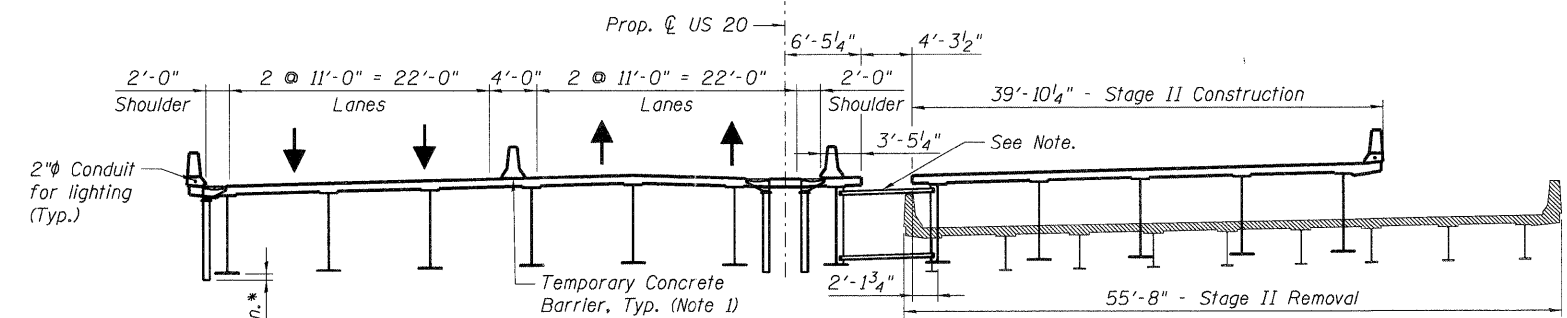


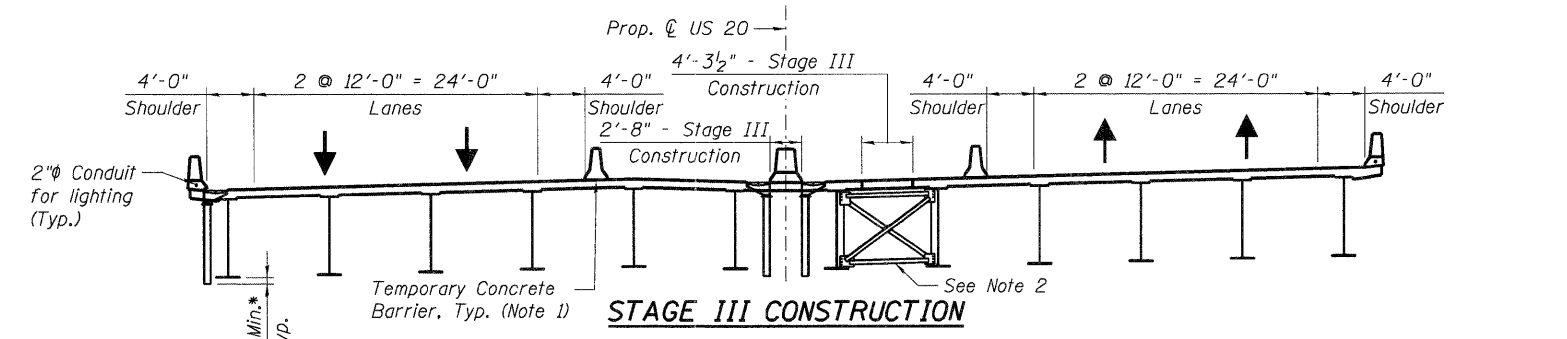
ADVANCE WORK (CONTRACT 60K90) REMOVAL AND CONSTRUCTION - FOR INFORMATION ONLY



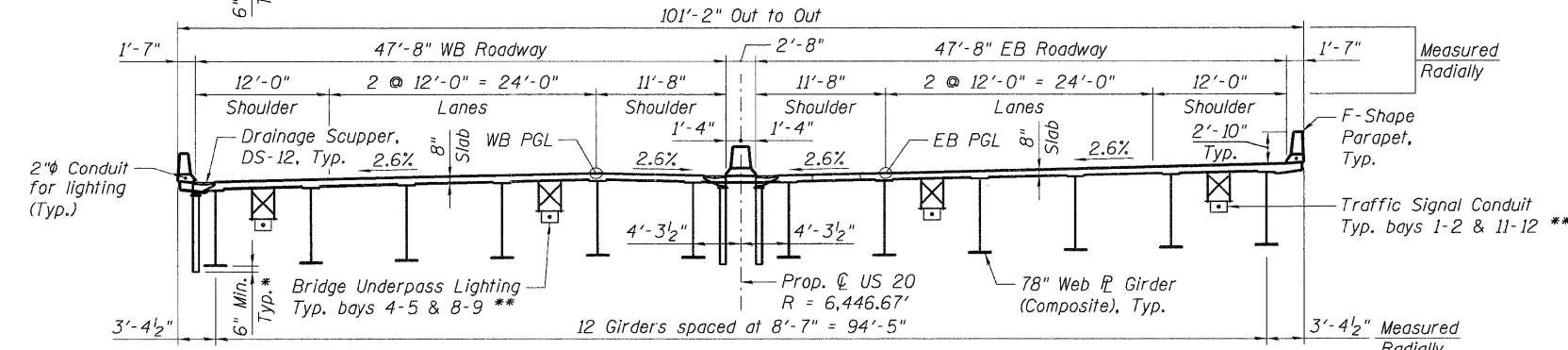
STAGE I REMOVAL AND CONSTRUCTION



STAGE II REMOVAL AND CONSTRUCTION



STAGE III CONSTRUCTION



CROSS SECTION (LOOKING EAST)

* Freefall downspouts at abutments.
Closed system to splash block at piers, see Sht. S-53.

** See Lighting Plans and Traffic Signal Plans for location and limits of conduit and junction boxes attached to structure.

- Notes:**
1. See Roadway Plans for quantity of temporary concrete barrier.
 2. See Sht. S-38 for stage construction sequence of cross frames under closure pour.

\\FS-0044\AMA\VAULT\JOB-TRANS\87-2202\21379-001\STRUCT\CAD\60H45\0450877\SHEET\0450877-60H45-001-STCONSTR_SHT.DGN
 BAJZEKJ
 12-12-2011 10:37:58
 TENG & ASSOCIATES, INC. ENGINEERS/ARCHITECTS/PLANNERS CHICAGO, ILLINOIS

FILE NAME =	USER NAME = #USER#	DESIGNED - MDB	REVISED -	STATE OF ILLINOIS DEPARTMENT OF TRANSPORTATION US 20 OVER MCLEAN BOULEVARD	CONSTRUCTION STAGING			F.A.P. RTE. 345	SECTION 8R-R	COUNTY KANE	TOTAL SHEETS 794	SHEET NO. 476
\$FILEL\$		DRAWN - MDB	REVISED -		SCALE:	SHEET NO. S-4	OF S-62	STATION 98+32.18	SN 045-0077		CONTRACT NO. 60H45	
PLOT SCALE = \$SCALE\$		CHECKED - PK	REVISED -									
PLOT DATE = \$DATE\$		DATE - 12/16/11	REVISED -									