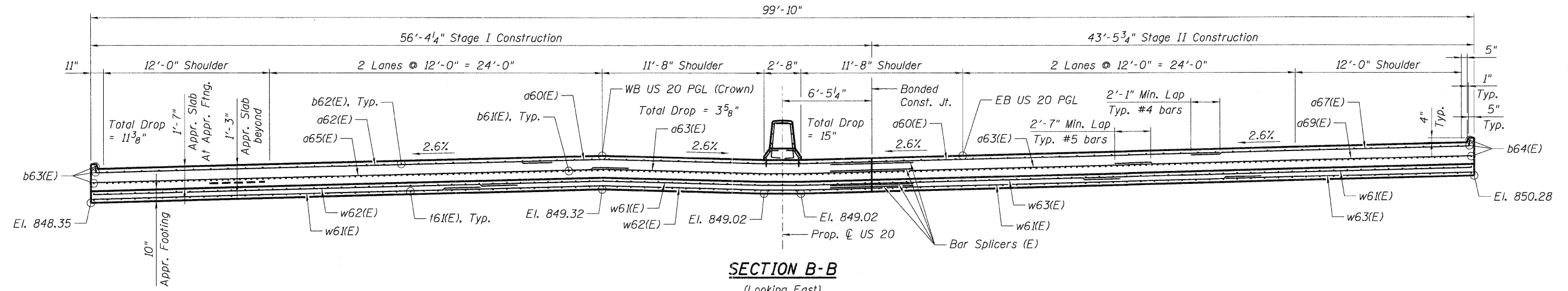


SECTION A-A
(Looking East)



SECTION B-B
(Looking East)

EAST APPROACH BAR LIST

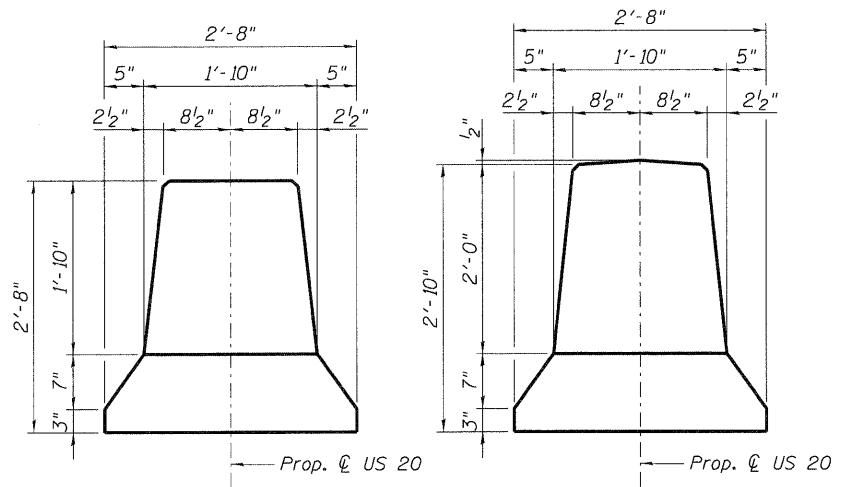
Bar	No.	Size	Length	Shape
a60(E)	50	#4	25'-0"	—
a61(E)	14	#4	32'-3"	—
a62(E)	11	#4	33'-4"	—
a63(E)	92	#5	20'-0"	—
a64(E)	26	#5	37'-9"	—
a65(E)	20	#5	38'-8"	—
a66(E)	17	#4	19'-4"	—
a67(E)	8	#4	20'-6"	—
a68(E)	31	#5	24'-10"	—
a69(E)	15	#5	25'-9"	—
b61(E)	235	#9	29'-9"	—
b62(E)	79	#4	29'-8"	—
b63(E)	3	#4	12'-8"	—
b64(E)	3	#4	9'-2"	—
e61(E)	2	#4	31'-3"	—
e62(E)	2	#8	31'-3"	—
e63(E)	14	#4	15'-5"	—
f61(E)	202	#4	9'-8"	—
w61(E)	80	#5	28'-0"	—
w62(E)	40	#5	30'-9"	—
w63(E)	40	#5	17'-10"	—

EAST APPROACH BILL OF MATERIAL

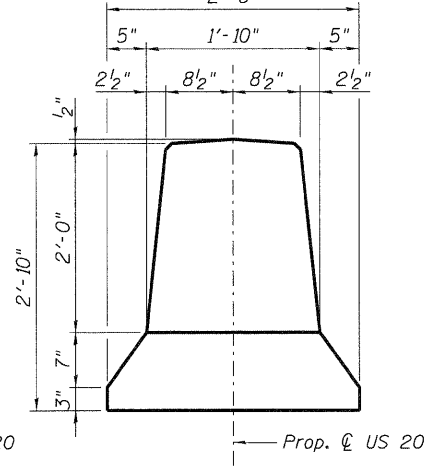
Item	Unit	Total
Concrete Structures	Cu. Yd.	30.8
Concrete Superstructure	Cu. Yd.	152.8
Bridge Deck Grooving	Sq. Yd.	320
Protective Coat	Sq. Yd.	363
Reinforcement Bars, Epoxy Coated	Pound	38,510

Notes:

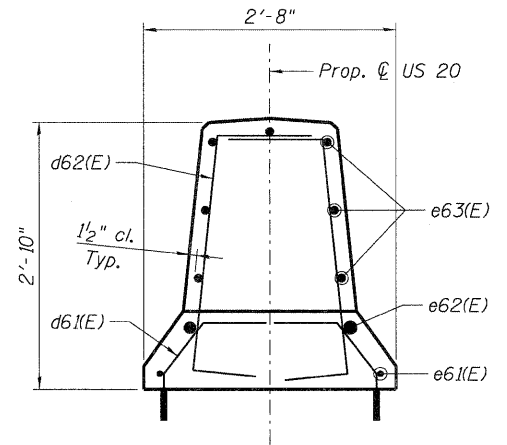
- Work this sheet with Sht. S-28.
- The Approach Slab and Median Barrier shall be paid for as Concrete Superstructure.
- The Approach Footing shall be paid for as Concrete Structures.
- Reinforcement shall be paid for as Reinforcement Bars, Epoxy Coated.
- Cost of Subbase Granular Material and Closed Cell Joint Filler included with Concrete Superstructure.
- Cost of excavation for Approach Footing included with Concrete Structures.
- Cost of expansion anchors included with Reinforcement Bars, Epoxy Coated.
- For v31(E) bar details, see Sht. S-47.
- For Bar Splicer details, see Sht. S-54.
- For Porous Granular Embankment, Special and drainage treatment details, see Sht. S-3.
- The Approach Footing maximum applied service bearing pressure (Qmax) = 2.0 ksf.
- For median barrier joint details, see Sht. S-24.



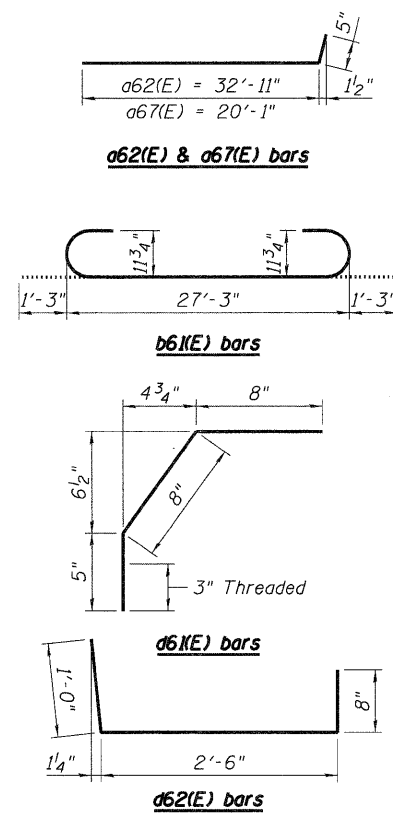
MEDIAN BARRIER DETAIL
(Showing Dimensions at end of approach)



MEDIAN BARRIER DETAIL
(Showing Typical Dimensions)



MEDIAN BARRIER DETAIL
(Showing Reinforcement)



FILE NAME = \\S:\PROJECTS\2011\12-12-2011\1039324\BAJZEK\J...
 USER NAME = *USER*
 DESIGNED - MDB
 DRAWN - MDB
 CHECKED - PK
 DATE - 12/16/11
 REVISIONS -
 REVISIONS -
 REVISIONS -
 REVISIONS -
 REVISIONS -
 STATE OF ILLINOIS
 DEPARTMENT OF TRANSPORTATION
 US 20 OVER MCLEAN BOULEVARD
 EAST APPROACH PAVEMENT
 2 OF 2
 F.A.P. RTE. 345
 SECTION BR-R
 COUNTY KANE
 TOTAL SHEETS 794
 SHEET NO. 501
 SN 045-0077
 CONTRACT NO. 60H45
 SCALE: SHEET NO. S-29 OF S-62 STATION 98+32.18
 FED. ROAD DIST. NO. 7 [ILLINOIS] FED. AID PROJECT